

High Security Level 2 Magnetic Contact Sensor

SHS-L200 Series



OVERVIEW

SHS-L200 Series Magnetic Contact Sensors are sophisticated, hall-effect, solid-state contacts that meet UL634 High Security Level 2 operational requirements for increased protection of outward or inward swinging doors.

The solid-state technology used in SHS-L200 sensors ensures long life due to the absence of mechanical wear and tear. This technology enables the sensors to be shock and vibration resistant, reducing susceptibility to erratic or unreliable operation when used in challenging environments.

All SHS-L200 series sensors have two output signals—the Alarm/unsecure output and the Tamper output. Both outputs are on/closed only when the magnetic actuator is located next to the sensing face of the magnetic switch, within the operating tolerances specified. The Alarm/unsecure output turns off/opens when the sensor and actuator are separated by movement perpendicular to the mounting surface. The Tamper output turns off/opens when mechanical or magnetic tampering is detected. Tamper is also off/open along with Alarm/unsecure when the alignment is out of specification, either when the air gap is too large or there is a misalignment in the other direction. The two outputs require four electrical wire connections: Power, Common/Ground, Alarm/unsecure output and Tamper output.

STANDARD FEATURES

- Listed to UL634 High Security Level 2 requirements
- For use with inward or outward swinging doors
- Suitable for indoor and outdoor use
- Compatible with UL-listed control panels that accept contact inputs
- ROHS-compliant
- Resistant to internal and external magnetic defeat
- High-sensitivity, anti-tamper
- Solid-state reliability makes sensors insensitive to vibration or shock
- Unique output for misalignment or a gap that is too large
- Models available with different cable exit orientations
- Manufactured in the USA
- UL/ULC-listed

High Security Level 2 Magnetic Contact Sensor

SHS-L200 Series

Specifications

Power Supply

Supply Voltage	4.5 to 25.2 VDC
Supply Current	20mA max.

Alarm Loop

Current	0.2 A max., resistive
Voltage	30 VDC max.
Power	6 W max., resistive
Leakage Current	10 mA max
Transient Protection	Overvoltage, Reverse Voltage, Overcurrent, Thermal Overload
Reverse Power Protection	30 VDC min. (reversed)
Loop Type	Closed

Operational

Air Gap	0 to 3/16 in. (0 to 4.8mm)
Lateral (Left/Right) Alignment for Secure	3/16 in. (4.8 mm) typical
Door Opening Gap for Secure*	±1/4 in. to ±1/2 in. (6.35mm-12.7mm)

Environmental

Temperature Range	-31°F to 158°F (-35°C to 70°C)
Mounting Environment**	Indoor or outdoor, ingress or egress, ferrous or nonferrous surfaces

Physical

Housing Material	Aluminum
Construction	Fully encapsulated
Color	Aluminum

Lead Type

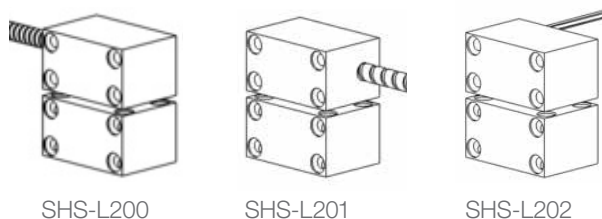
SHS-L200	3 ft. (91cm) SS armored cable, left exit, 22 AWG, UL1007
SHS-L201	3 ft. (91cm) SS armored cable, right exit, 22 AWG, UL1007
SHS-L202	45 in. (114cm) wire, rear exit, 22 AWG, UL1007

Regulatory

UL634 High Security Level 2
ULC/ORD-C634

*Gap of separation

**The actuator's target face must be aligned to the center of the sensor's target face.



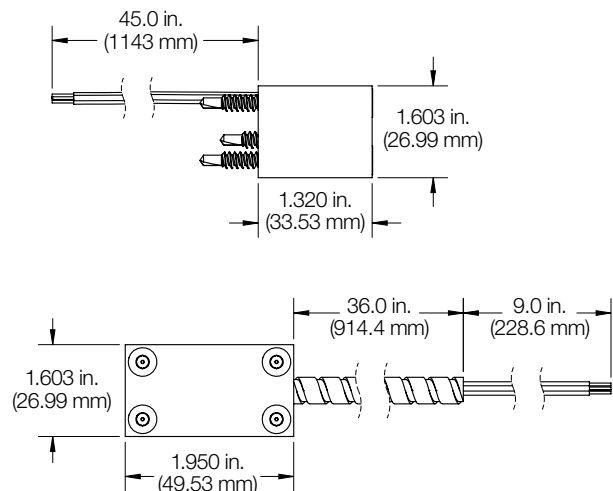
Ordering Information

SHS-L200	High Security Contact, Solid State, Closed Loop, 0 to 3/16 in. Gap Size, UL Listed for High Security Level 2, ULC, 3 ft. Stainless Steel Armored Cable-Left Exit
SHS-L201	High Security Contact, Solid State, Closed Loop, 0 to 3/16 in. Gap Size, UL Listed for High Security Level 2, ULC, 3 ft. Stainless Steel Armored Cable-Right Exit
SHS-L202	High Security Contact, Solid State, Closed Loop, 0 to 3/16 in. Gap Size, UL Listed for High Security Level 2, ULC, 45 in. (114cm) Rear Wire Exit

Accessories

SHS-101	1/16 in. Spacers, 6-Pack
----------------	--------------------------

Dimensional Diagrams



interlogix.com

Specifications subject to change without notice.

© 2017 United Technologies Corporation.
All rights reserved.

All trademarks are the property of their respective owners.
Interlogix is part of UTC Climate, Controls & Security,
a unit of United Technologies Corporation.

2017/05 (87251)