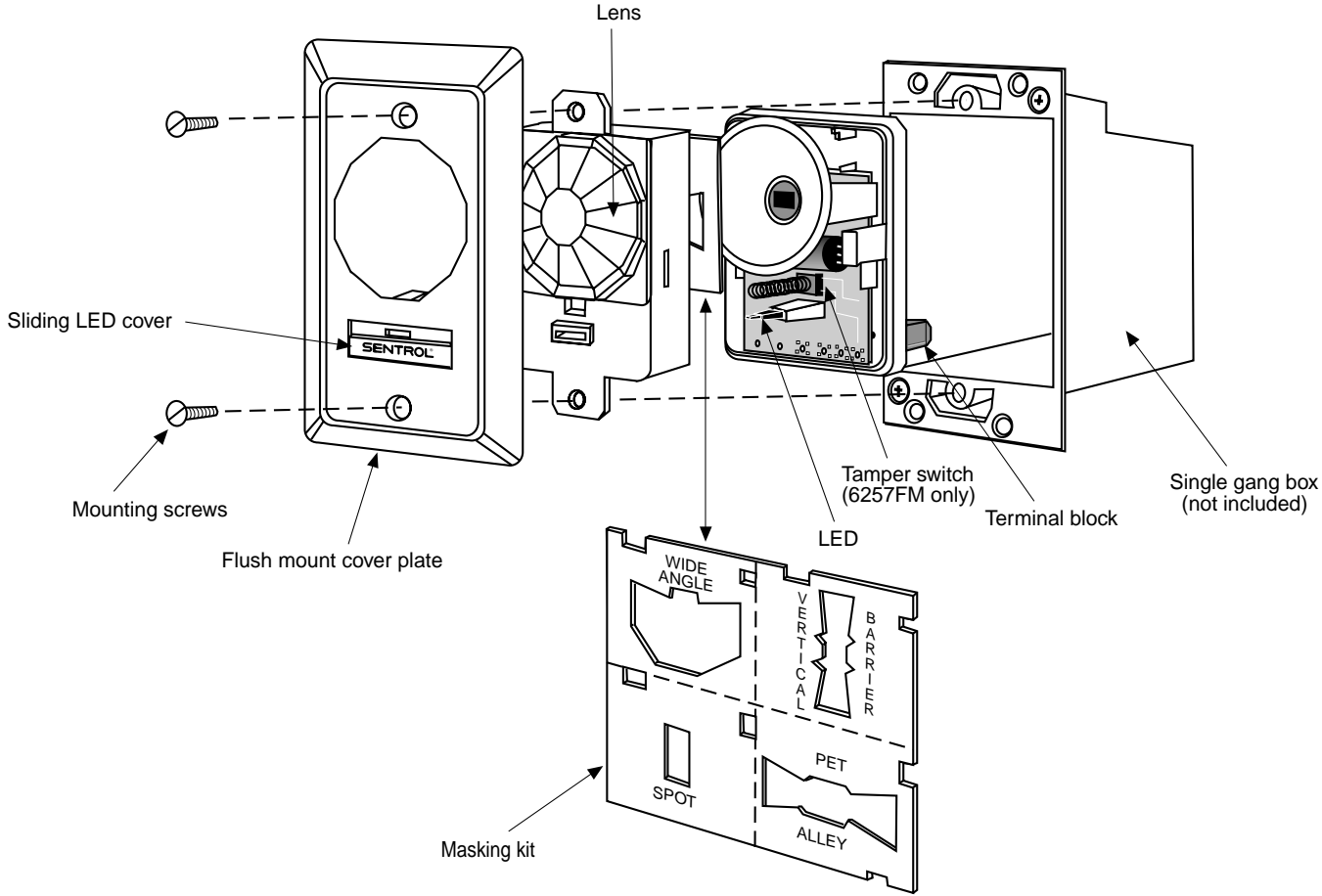


Sentrol 6250FM Series Flush Mount SureShot™ PIR

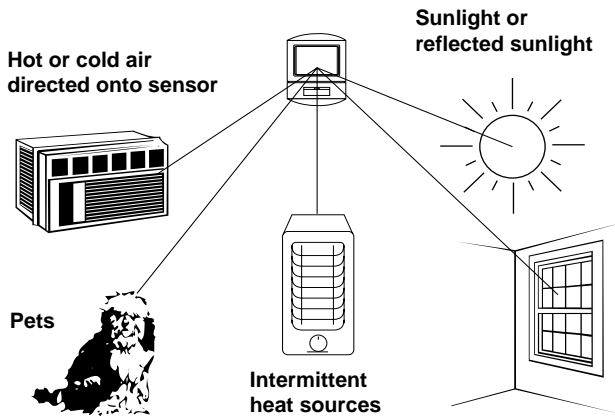
Installation Instructions

Models 6255FM, 6257FM



Installing the Flush Mount Sureshot

Avoid False Alarm Sources

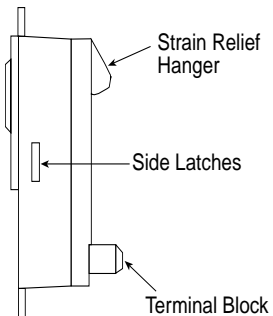


For false-alarm-free operation, a PIR should not “see” sources of heat or cold.

Masking

1. Choose the mask you need, if any.
2. Press in on side latches of unit and pull the back cover off.

SIDE VIEW



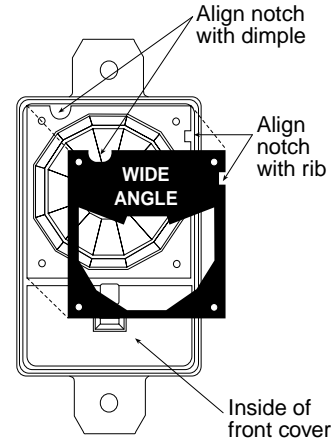
3. Insert the mask behind lens on front cover by pressing over four mounting pins. Once back cover is snapped back on, the mask will be held tight against the lens.
4. Replace back cover and proceed with mounting.

Mounting

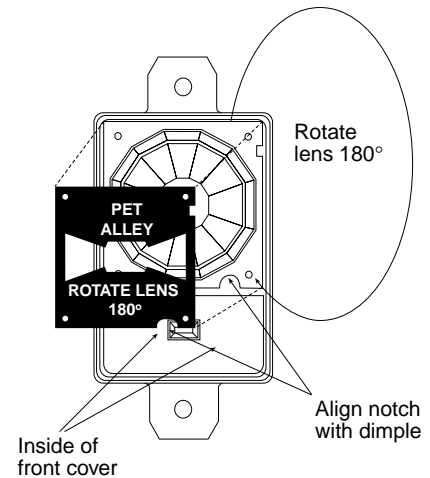
The unit can be mounted into a standard single gang electrical box, a remodel single gang box, or a rough-in plate. It can be mounted in the wall or on the ceiling. The following directions apply to any of the above.

1. Feed wire through the single gang box or rough-in plate and hook up to the terminals on the back of the unit.
2. Connect wires per “wiring” diagrams on following pages.
3. Tie the wire to the strain relief hanger on the back of the unit using the tie wrap provided in the box.
4. Place the cover plate over the unit and set into the single gang box or rough-in plate.
5. Tighten screws on the cover plate.
6. After walk testing, the LED cover can be slid up to cover the LED.

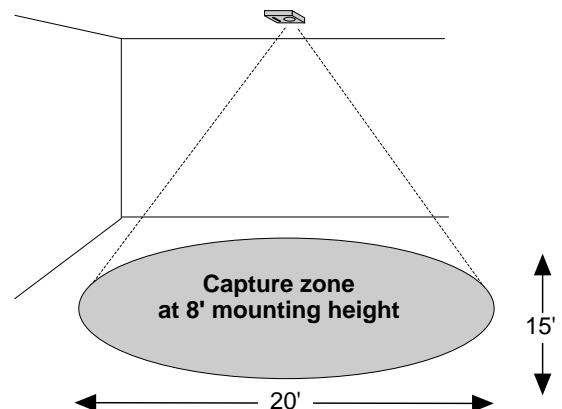
Note: The masks have two notches to prevent incorrect installation. One notch matches a rib in the front cover. The second notch matches a dimple in the lens.



Note: To correctly mount the Pet Alley Mask, the lens must be removed from the front cover and rotated 180°.

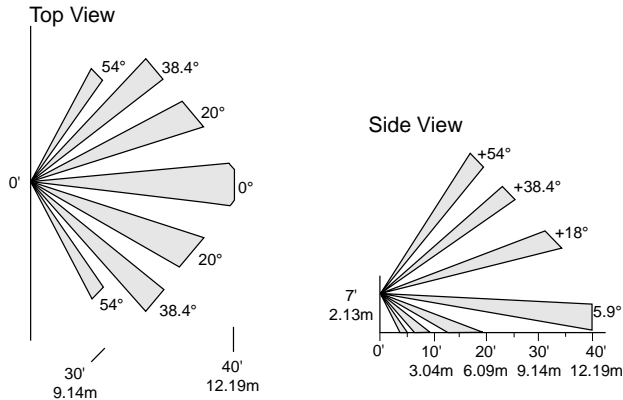


Note: When mounting on the ceiling, align the unit to maximize the oblong detection pattern for the room. Always use “center spot” mask when mounting on ceiling.

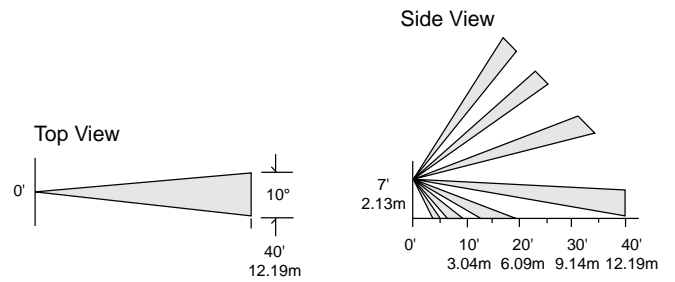


ZONE PATTERNS

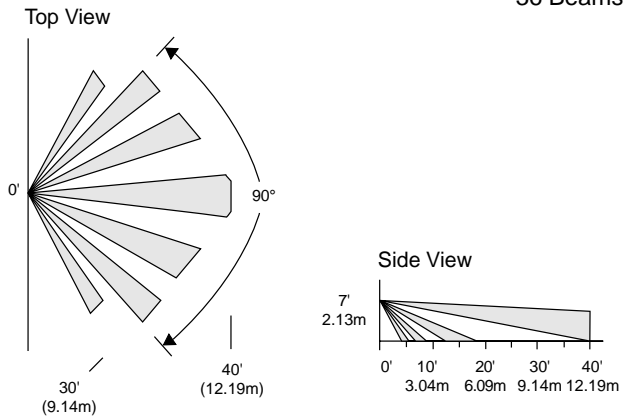
Wall Mount–No Mask 29 Zones
58 Beams



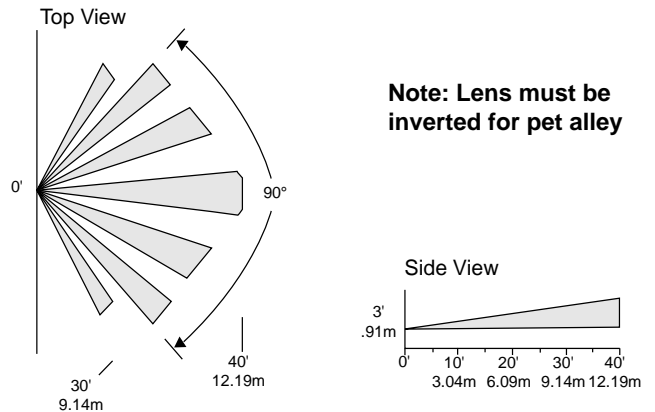
With "Vertical Barrier" Mask 7 Zones
14 Beams



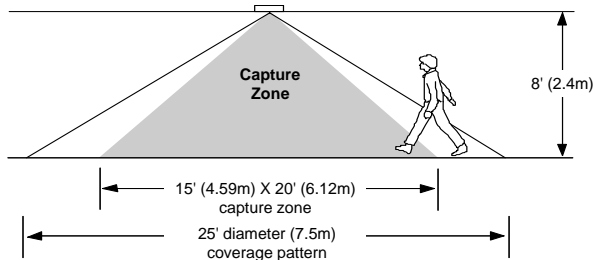
With "Wide Angle" Mask 18 Zones
36 Beams



With "Pet Alley" Mask 7 Zones
14 Beams

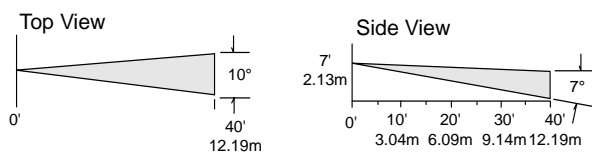


Ceiling Mount–Center Spot Mask 29 Zones
58 Beams



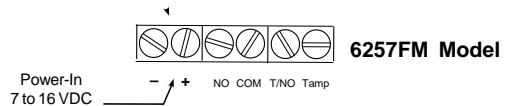
Note: Intruder must enter capture zone in order to be detected. False alarm sources, such as heaters, should be kept out of the coverage pattern. Be sure to insert center spot mask to reduce potential for false alarms.

With "Single Spot" Mask 1 Zone
2 Beams



Wiring

Strip back the outer jacket on your wiring cable. This will allow wires to flex in the case. Use cable strain relief built into back cover to prevent stressing wires at their connection.



Note: The unit should be connected to a UL listed power supply, capable of providing four hours of standby power.

SPECIFICATIONS

FEATURES

Pulse Count Bi-directional, 1 zone (2 pulses) with Motion Verification

Capture Zone (at 70½ F)

- Wide Angle (90½) 30' (9.14m) x 30' (9.14m)
- Single Spot 40' (12.19m) range
- Vertical Barrier 40' (12.19m) range
- Pet Alley (90½) 30' (9.14m) range
- 360° Ceiling 15' x 20' (4.57m x 6.10m) at 8' (2.44cm) mounting height
- 16' x 30' (4.88m x 9.14m) at 12' (3.65m) mounting height
- Ceiling mounting height up to 12' (3.65m)

Mounting Wall, corner, or ceiling

LED indicator Walktest

Size 2.75" (6.99cm) Width
 4.50" (11.43cm) Height
 1.63" (4.13cm) Total Depth
 1.37" (3.49cm) Depth behind wall
 0.25" (0.64cm) Depth in front of wall

Color White/White

ELECTRICAL

Voltage 7 to 16 VDC

Current 8 mA typical, 10mA max.

Maximum relay rating 16VDC, 50 mA

Alarm output Fail safe contacts w/ 10 ohms in series, 6255FM - Form A, Normally Closed (NC)
 6257FM - Form C, Normally Closed and Open (SPDT)

Alarm duration 2 to 5 seconds

Cover tamper contacts Normally Closed, rating: 50 mA, 12VDC (6257FM only)

ENVIRONMENTAL

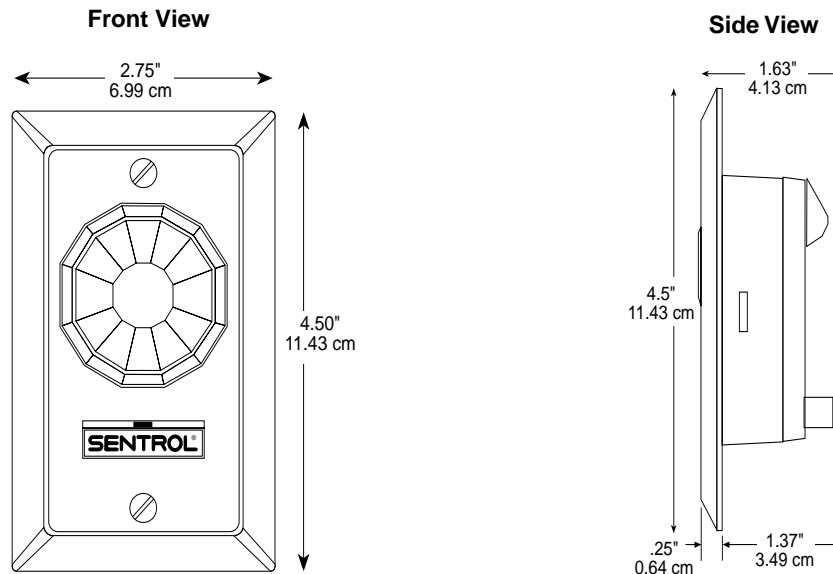
Operating Temperature 0°F to 120°F (-17°C to +50°C)

Humidity 10% to 90% noncondensing

RFI immunity greater than 10V/meter from 0 to 1000MHz

Static/lightning immunity 2.5KV, 2 joules max energy impulse, 1 msec rise / 50 msec decay

NOTE: This unit will fit in most standard single gang electrical boxes or rough-in plates, available at any electrical supply store.



ORDERING INFORMATION

PART NUMBER	LOOP TYPE	ELECTRICAL CONFIGURATION	COMMENTS	LISTING
6255FM	Normally Closed	N.C. – Form A	No Tamper	UL
6257FM	Normally Closed or Open	SPDT (N.C. and N.O.) – Form C	Incl. Tamper	UL



CORPORATE HEADQUARTERS

12345 SW Leveton Dr.
 Tualatin, OR 97062
 Tel.: 503.692.4052 Fax: 503.691.7566
U.S. & Canada: 800.547.2556
Technical Service: 800.648.7424
FaxBack: 800.483.2495

Sentrol reserves the right to change specifications without notice.

© 2000 Sentrol

13048 Rev. B 06/00