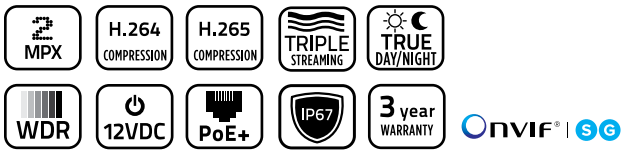


# 2MPx IP Stainless Steel IR Dome

IP Open Standards Camera



## OVERVIEW

The TruVision® 2MPx IP Stainless Steel IR Dome by Interlogix is designed for the harsh marine environment. The stainless steel housing provides for protection against the elements.

The dome is equipped with a super low light 2.8-12mm motorized lens. The 2MPx camera is well suited for a variety of applications due its feature set which includes true D/N, WDR, defog, privacy mask and EIS (Electronic Image Stabilization). The intelligence features provide a variety of options for monitoring key areas in a scene.

The IP67 stainless steel housing provides strength and durability, in addition the special coating provides protection against corrosion.

A stainless steel junction box and a stainless steel wall mount are also available (not included) to complete the installation.

## STANDARD FEATURES

### Video

- 2MPx resolution
- H.264 / H.265 compression with triple streaming
- 2.8-12mm motorized varifocal lens
- ONVIF® Profile S and G support

### Video Enhancement

- Wide Dynamic Range (WDR) 120 dB
- True day/night functionality and infrared illuminators, 98 ft. (30m) range
- Hallway view, defog, ROI (Region of Interest), EIS (Electronic Image Stabilization)

### Intelligence

- Face detection, audio exception detection, intrusion detection, defocus detection, scene change detection, cross line detection, advanced motion detection, region entrance detection, object removal, object left behind, object counting, privacy mask


### Environmental and Warranty

- IP67 environmental rating
- Stainless steel junction box and stainless steel wall mount available as an accessory (not included)
- 3 year warranty

# 2MPx IP Stainless Steel IR Dome

IP Open Standards Camera

## Specifications

PART NO.		TVD-5801
		
Camera	Sensor	1/1.8" Progressive Scan CMOS
	Resolution	2MPx
	Day/Night	True D/N IR cut filter
	IP Compression/Standard	Main stream: H.265 / H.264 Sub stream: H.265 / H.264 / MJPEG Third stream: H.265 / H.264
	Multiple Streaming	Triple Stream
	Sub Stream	50Hz: 25fps (704 x 576, 352 x 288, 176 x 144) 60Hz: 30fps (704 x 480, 352 x 240, 176 x 120)
	3rd Stream	50Hz: 25fps (1920 x 1080, 1280 x 960, 1280 x 720, 704 x 576, 352 x 288, 176 x 144) 60Hz: 30fps (1920 x 1080, 1280 x 960, 1280 x 720, 704 x 480, 352 x 240, 176 x 120)
	Maximum Resolution	1920 x 1080
	Maximum Real-Time Resolution (@fps)	1920 x 1080
	Sub stream Real-Time Resolution	704 x 576 @ 50Hz; 704 x 480 @ 60Hz
	3rd Stream Real-Time Resolution	1920 x 1080
	Video Bit Rate	128 Kbps to 16 Mbps
	Wide Dynamic Range	WDR (120 dB)
	Digital Noise Reduction	3D DNR
	Minimum Illumination	Color: 0.002 lux @ (f1.2, AGC On), 0 lux with IR
	Digital S/N Ratio	52 dB (AGC Off)
	Auto Exposure (shutter)	1/3 s to 1/100,000 s
Lens	2.8 to 12mm	
Focus	Varifocal Auto Focus Motorized Lens	
IR Range	98 ft. (30m)	
Video Output	Composite (NTSC/PAL)	
Video Connector	1 - 75 Ω / BNC	
Privacy Mask	4 zones	
Network	Ethernet Port	1 RJ45 10/100/1000M Auto-negotiable
	Network Protocols	TCP/IP, HTTP, DHCP, DNS, DDNS, ezDDNS, RTP, RTSP, PPPoE, SMTP, NTP, SNMP, HTTPS, FTP, 802.1x, Qos, IPv6, ONVIF®, PSIA, CGI
Local Storage	Media	Micro SD/SDHC/SDXC slot
	Capacity	Up to 128GB (card not included)
Audio	Input	Audio in / Mic in (line level)
	Output	Audio out
	Audio bit rate (protocol)	G.711 / G.722.1 / G.726 / MP2L2 / PCM
Camera Alarms	Intelligence	Face detection, Audio exception detection, Intrusion detection, De-focus detection, Region of Interest (ROI), Electronic Image Stabilization (EIS), Defog, Scene change detection, Cross line detection, Advanced motion detection, Region entrance detection, Region exit detection, Object removal, Object left behind, Object counting, Privacy mask
	Input / Output	1 input / 1 output
Interoperability	Standard	ONVIF® (Profile S, Profile G), PSIA, CGI, ISAPI
Display	Display Mode	Flipped horizontally (up/down), vertically (right/left) or centered, Halfway view, Region of Interest (ROI)
	On Screen Display (OSD)	Text overlay
Electrical & Mechanical	Voltage Input	12VDC, PoE+ (802.3at)
	Power Consumption	15W
	Auxiliary Output	N/A
	Current	1.3A
	Dimensions	6.51 x 5.12 in. (165.4 x 130mm)
Environmental	Weight	7.41 lbs. (3.36kg)
	Storage Temperature	-40°F to 140°F (-40° to 60°C), Humidity 95% or less (non-condensing)
	Operating Temperature	-40°F to 140°F (-40° to 65°C)
	Environmental Rating	IP67
	Vandal Rating	N/A
Regulatory	Compliance	FCC, CE, UL, WEEE, RoHS, REACH

## Ordering Information

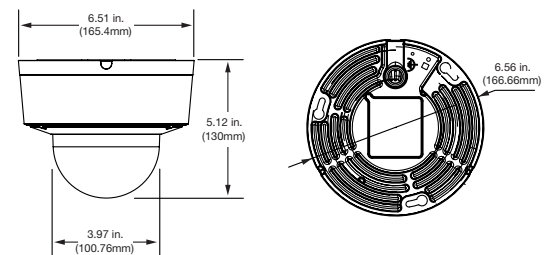
<b>TVD-5801</b>	TruVision® 2MPx, Stainless Steel Dome, H.265/H.264, 2.8-12mm Motorized Lens, Super Low Light, True D/N, WDR, 30m IR, Micro SD/SDHC/SDXC Slot, Audio, I/O, PoE+ (802.3at)/12VDC, IP67
-----------------	--

## Accessories

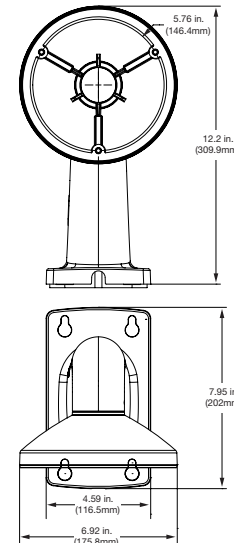
<b>TVD-WBS</b>	TruVision Dome Wall Mount, Stainless Steel
<b>TJV-JBS</b>	TruVision Junction Box, Stainless Steel

## Dimensional Diagrams

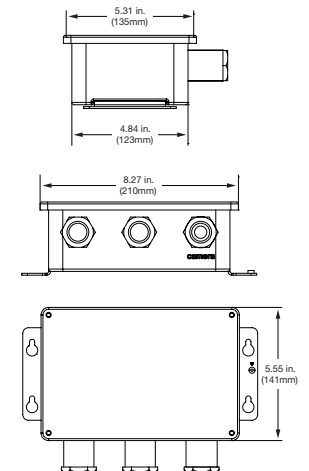
**TVD-5801** TruVision Stainless Steel Dome Camera



**TVD-WBS** TruVision Dome Wall Mount



**TJV-JBS** TruVision Junction Box



interlogix.com

Specifications subject to change without notice.

© 2018 United Technologies Corporation. All rights reserved.

All trademarks are the property of their respective owners. Interlogix is part of UTC Climate, Controls & Security, a unit of United Technologies Corporation.