

IP IR PTZ Camera

2MPx with 30X zoom



OVERVIEW

The TruVision IP IR PTZ camera from Interlogix delivers the benefits of a PTZ solution while offering high-definition image capture. Available with an IP66 rated outdoor wall-mount housing, this PTZ camera has advanced technology and can be installed in a wide range of applications and environmental conditions.

This camera is designed to easily manage bandwidth usage by utilizing H.264 compression technology and triple-streaming capability. An additional CGI command set allows for simple system integration.

The TruVision IP IR PTZ camera is ONVIF Profile S and PSIA open standards compliant with a Region of Interest (ROI) feature that allows the optimization of bandwidth and storage. The ROI area in the field of view can be selected within a stream and provide a higher quality image than the non-ROI area. In addition, intelligent tracking can be used to follow a moving object or person in a selected region.



STANDARD FEATURES

Video

- 1/3-inch progressive scan CMOS
- 2MPx Full HD sensor
- Full HD 1080p real-time
- H.264 advanced compression technology
- Triple streaming
- ONVIF Profile S/PSIA/CGI compatibility

Video Enhancements

- DWDR
- True Day/Night
- Up to 492 ft. (150m) IR
- Smart IR

PTZ

- 30x optical (16x digital)
- 256 preset positions, 8 preset tours and 4 shadow tours
- 360° endless rotation
- 240°/s pan preset speed and 200°/s tilt preset speed
- Auto-flip image

VCA Alarms

- Motion detection
- Intelligent tracking
- Privacy mask (24 zones)
- ROI encoding of a selected area in the image
- Defog
- 7 alarm inputs and 2 relay output

On-board Recording

- Built-in micro SD/SDHC/SDXC (card not included)
- 2-way audio

Environment and Warranty

- IP66 outdoor environmental rating
- GEA series mounts compatibility
- 3-year warranty

IP IR PTZ Camera

2MPx with 30X zoom

Specifications

	PART NO.	TVP-3122 TVP-1122
Camera	Sensor	1/3" Progressive Scan CMOS
	Resolution	2MPx
	Maximum Resolution (@fps)	1920 x 1080 (30 fps / 25 fps)
	Maximum Real-Time Resolution	1920 X 1080
	Multiple Streaming	Triple
	Day/Night	True Day/Night
	Wide Dynamic Range	DWDR
	Digital Noise Reduction	3D DNR
	Digital S/N Ratio	55dB
	Electronic Shutter	1s to 1/30,000s
	Compression / Standard	H.264/MPEG4/MJPEG
	Minimum Illumination	Color: 0.03 lux @ (f1.6, 1/30s, 50 IRE, AGC On) BW: 0 lux with IR ON
	IR Range	492 ft. (150m)
	IR Wavelength	850 nm
	Smart IR	Yes
	B/W Trigger	1 lux with IR ON
	Lens	4.3-129 mm (f1.6 – f5.0)
	Zoom Range	30x Optical (16x Digital)
	Pan Range and Speed	Range: 360° endless Manual speed: 0.1°-160°/s Preset speed: 240°/s
	Tilt Range and Speed	Range: -5°-90° Manual speed: 0.1°-120°/s Preset speed: 200°/s
Image Flip	Auto Flip	
Video Output	1 - 75 Ω BNC	
Presets	256	
Network	Network Protocols	TCP/IP, HTTP, DHCP, DNS, DDNS, RTP, RTSP, PPPoE, SMTP, NTP, UPnP, SNMP, HTTPS, FTP
	Ethernet/IP	802.1x, Qos, IPv4/IPv6
Local Storage	Media	Micro SD/SDHC/SDXC (card not included)
	Capacity	Up to 64GB
Alarms and Audio	Intelligence	Motion Detection, Defog, Privacy Mask (24 zones)
	I/O	7 In / 2 Out
	Audio	2-Way
Audio Compression	G.711/G.726	
Standards and Integrations		ONVIF Profile S, PSIA, CGI
Electrical and Mechanical	Voltage Input	24VAC
	PoE	PoE+ (802.3at)
	Current	PoE+ (802.3at): 2.1 A (max.) 24 VAC: 2.5 A (max.)
	Power Consumption	PoE+ (802.3at): 50 W (max.) 24 VAC: 60 W (max.)
	Dimensions (W x H)	9.65 x 14.61 in. (245 x 371 mm)
	Weight	13.23 lb. (6 kg)
Environmental	Operating Temperature	PoE+ (802.3at): -22° to +149°F (-30° to +65°C) 24VAC: -40° to +149°F (-40° to +65°C)
	Environmental Rating	IP66

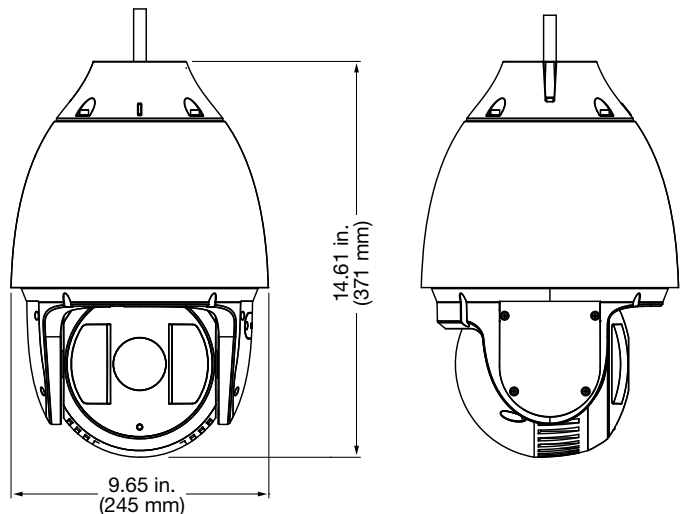
Ordering Information

TVP-3122	TruVision® 2MPx Full HD Pendant 30X, IR PTZ Dome, NTSC
TVP-1122	TruVision 2MPx Full HD Pendant 30X, IR PTZ Dome, PAL

Accessories

1060050A	Pendant Adapter for PTZ, 1 1/4 NPT, Rubber Boot, UTC Gray (Used with Outdoor Pendant)
GEA-102	Wall Mount, Cast Aluminum
GEA-104	Parapet Swing-Arm Mount
GEA-105	Corner-Mount Adapter
GEA-106	Pole-Mount Adapter
GEA-107	Roof-Mount Adapter

Dimensional Diagrams



interlogix.com

Specifications subject to change without notice.

© 2017 United Technologies Corporation.
ONVIF® is a trademark of Onvif, Inc. All rights reserved.
All other trademarks are the property of their respective owners.
Interlogix is part of UTC Climate, Controls & Security,
a unit of United Technologies Corporation.

2017/01 (GSP-2254)