

HD-TVI Analog Bullet Cameras

3MPx Resolution Cameras



OVERVIEW

The TruVision® HD-TVI Bullet Cameras by Interlogix deliver cost effective surveillance with 3MPx resolution HD-TVI technology over existing coaxial cable. The 3MPx HD-TVI cameras must be used with a 3MPx (or higher) resolution HD-TVI DVR and will not function in TVI mode on a lesser TVI Recorder. The bullet camera model also offers a familiar form factor that features a pre-installed wall mount with cable management and is IP66 rated for outdoor installation.

With the ability to see in low-light conditions, the HD-TVI Bullet Cameras provide color images by day and black-and-white images in night-time applications (in conjunction with IR illumination). Ideal for new or existing projects, the HD-TVI Bullet Cameras are quick and easy to install and can help users stay within budget constraints without compromising security needs.



STANDARD FEATURES

Video

- 3MPx HD resolution
- HD-TVI or 960H output, selectable
- Fixed or motorized varifocal lens options
- HD-TVI technology for transmitting HD quality video over existing coax cable

Video Enhancements

- Wide Dynamic Range (WDR), 120 dB
- True Day/Night functionality and infrared illuminators with Smart IR function for capturing images in various lighting scenarios

Installation and Environment

- IP66 Environmental rating
- Coax OSD control
- Cable protection/management
- Multiple mounting options

Warranty

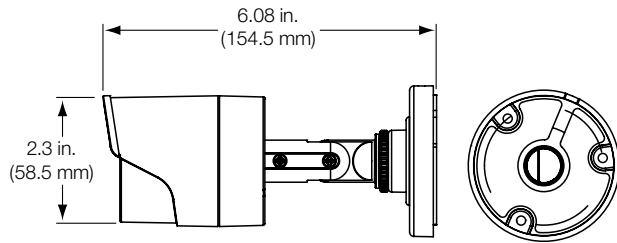
- 3-year warranty

Specifications

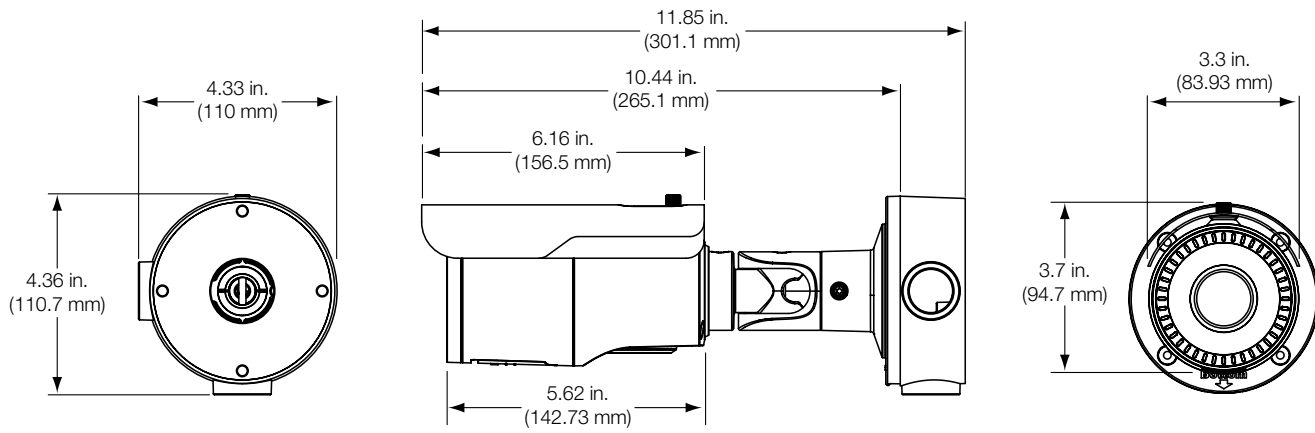
		TVB-4407 TVB-2407	TVB-4408 TVB-2408	
				
Camera	Image Sensor	1/3" CMOS		
	Standard	HD-TVI		
	Signal System	NTSC/PAL		
	Resolution	3MPx Analog		
	Effective Pixels	2052 (H) x 1536 (V)		
	Synchronization	Internal		
	Day/Night	Day/Night IR cut filter with auto switch		
	Wide Dynamic Range	> 120 dB		
	Electronic Shutter	NTSC: 1/30 s to 1/50,000 s; PAL: 1/25 s to 1/50,000 s		
	Minimum Illumination	0.01 lux @ f1.2 (AGC On); 0 lux with IR		
	Digital S/N Ratio	> 62 dB		
	Lens	3.6mm fixed	2.8~12mm motorized VF	
	IR Range	66 ft. (20m)	132 ft. (40m)	
	On Screen Display (OSD)	TruVision® Coax OSD control on TVI		
	OSD Languages	English/Chinese		
Video Output	3MPx TVI or 960H Analog			
Video Connector	1 - 75W BNC			
Intelligence	Mirror, Defect pixel correction, Smart IR			
Electrical/Mechanical	Voltage Input	12VDC	12VDC/24VAC	
	Current	417 mA	12VDC: 750 mA; 24VAC: 400 mA	
	Power Consumption	5W (Max.)	12VDC: 9W (Max.); 24VAC: 12W (Max.)	
	Dimensions	2.3 x 6.08 in. (58.2 x 154.5mm)	3.7 x 10.45 in. (94.7 x 265.4mm) without back box; 3.7 x 11.56 in. (94.7 x 293.7mm) with back box	
	Weight	0.82 lbs. (370g)	1.98 lbs. (900g) without back back; 2.39 lbs. (1083.2g) with back box	
Environmental	Operating Temperature (cold start)	-40°F~140°F (-40°C~60°C)		
	Humidity (non-condensing)	< 90%		
	Environmental Rating	IP66		
Regulation	Compliance	FCC, CE, UL, WEEE, RoHS, REACH		

Dimensional Diagrams

TVB-4407, TVB-2407 Fixed Bullet Camera



TVB-4408, TVB-2408 Motorized Varifocal Bullet Camera (back box included)



HD-TVI Analog Bullet Cameras

3MPx Resolution Cameras

Ordering Information

NTSC

TVB-4407	TruVision® HD-TVI Analog Bullet Camera, 3MPx (use with 3MPx or higher TVI Recorders), 3.6mm Lens, True D/N, WDR, 20m IR, Dual Output 960H Monitor or HD-TVI, Coax OSD Control, 12VDC, IP66, NTSC
TVB-4408	TruVision HD-TVI Analog Bullet Camera, 3MPx (use with 3MPx or higher TVI Recorders), 2.8-12mm Motorized Lens, True D/N, WDR, 40m IR, Dual Output 960H Monitor or HD-TVI, Coax & Button OSD Control, 12VDC/24VAC, IP66, NTSC

PAL

TVB-2407	TruVision HD-TVI Analog Bullet Camera, 3MPx (use with 3MPx or higher TVI Recorders), 3.6mm Lens, True D/N, WDR, 20m IR, Dual Output 960H Monitor or HD-TVI, Coax OSD Control, 12VDC, IP66, PAL
TVB-2408	TruVision HD-TVI Analog Bullet Camera, 3MPx (use with 3MPx or higher TVI Recorders), 2.8-12mm Motorized Lens, True D/N, WDR, 40m IR, Dual Output 960H Monitor or HD-TVI, Coax & Button OSD Control, 12VDC/24VAC, IP66, PAL

Accessories

For TVB-4407/TVB-2407 (Fixed Lens Bullet)

TVB-BB1	TruVision Bullet Back Box (for fixed lens bullet only)
TVB-2G-AD	TruVision Double Gang Box Adapter Plate (for fixed lens bullet or LWB wall mount)



interlogix.com

Specifications subject to change without notice.

© 2017 United Technologies Corporation.
All rights reserved.

All trademarks are the property of their respective owners.
Interlogix is part of UTC Climate, Controls & Security,
a unit of United Technologies Corporation.

2017/01 (GSP-2140)