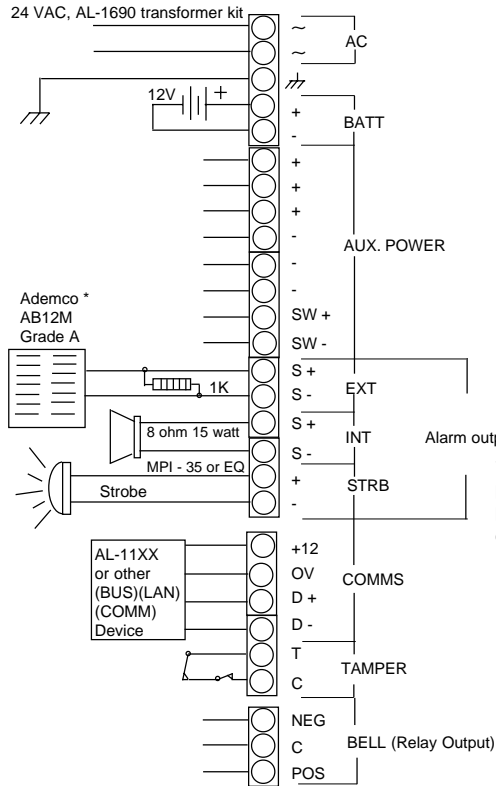


AL-4017 Wiring Diagram

Access Control and Commercial Burglar Alarm System

Refer to installation instructions, 1040731 Rev. D, for full electrical ratings.



Note: Do not short circuit.

Note: Refer to "Battery Calculation Worksheet" for appropriate battery type. Change the battery every four to five years.

Note: AL-4017 Total AUX POWER output 300ma, including "+12" on COMMS". For use with an auxiliary power supply, please refer to installation instructions.

Note: Use 1K resistor if bell or siren is not used.

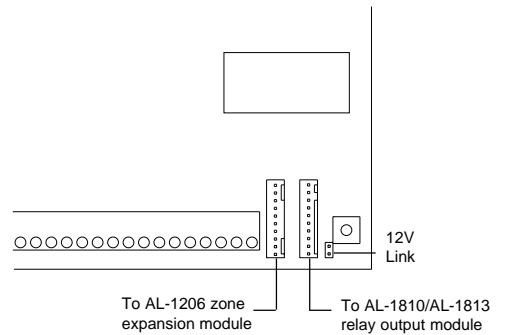
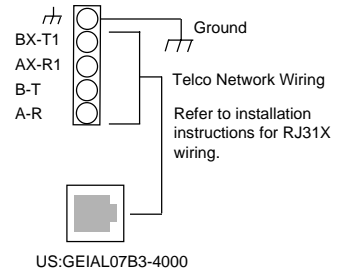
* Siren output must be programmed for DC output. See programming manual for further details.

Note: The first and last device on the system bus (COMMS) must be terminated. See device installation for further details.

Note: These are dry contacts.

Note: To maintain compliance with UL 365 and UL 609, the primary indicating device must provide both electrical and mechanical supervision.

Telco Network Wiring



Alarm Input Wiring Methods

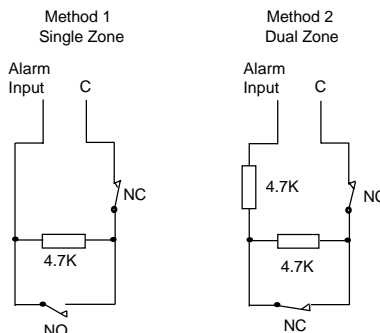
AL-4017 Alarm Inputs



Note: Dual Zone option is not acceptable for UL 365, UL 609, and UL 1610.

Note: 2.2kΩ/10kΩ EOL configuration optional. Do not mix EOLs values.

Note: All circuits are power limited except for standby batteries and AC primary.



FCC

This device complies with Part 15 of the FCC rules. Operation is subject to the following conditions: (1) this device may not cause harmful interference, (2) this device must accept any interference received, including interference that may cause undesired operation, and (3) changes or modifications not expressly approved by the party responsible for compliance could void the user's authority to operate the equipment.

UL Listings

UL 294 - the Standard for Access Control System Units
 UL 365 - the Standard for Police Station Connected Burglar Alarm Units and Systems
 UL 609 - the Standard for Local Burglar Alarm Units and Systems
 UL 1610 - the Standard for Central-Station Burglar-Alarm Units
 UL 1635 - the Standard for Digital Alarm Communicator System Units