

Overview

Part of the TruVision™ Line of products, the TruVision Dome PTZ Compact 16X Optical Zoom camera features a form factor that is big on PTZ functionality and small in size. Combining a pan/tilt unit and an autofocus zoom camera with a 1/4" high-performance HAD sensor, this camera is capable of many of the functions expected from traditional PTZ cameras. Designed as a cost-effective solution for internal and external applications, a single 16X camera can replace three to four fixed cameras.

A 16X optical zoom combined with an 8X digital zoom allows for exceptional capability to zoom into areas of interest, while the 1/4" HAD sensor delivers high sensitivity and ideal image resolution. Variable pan/tilt rates along with 64 presets, preset tours and shadow tour functionality mean maximum user flexibility. Alarm in function allows users to interface the camera with an alarm signal from external devices and turn the camera to a preset position.

In addition, there are several field-configurable options for the camera menu settings such as exposure, shutter, iris, AGC, white balance, preset and shadow tour, alarm, protocol and baud rate settings. This allows the TruVision Dome PTZ Compact 16X camera to be customized to the application and user preferences.

Standard Features

- Compact form factor—Sleek and simple design allows for more discreet surveillance
- 16X optical zoom, 8X digital zoom—128X total zoom allows for cost-effective coverage and improved close up capability
- High-resolution CCD color camera—480 TVL resolution delivers sharp, crisp images
- 63 programmable presets and one shadow tour—multiple options allow for customization and the ultimate in user flexibility
- Alarm function—interface alarm contacts with presets and shadow tours for event detection
- Multiple mount options—provide users with installation flexibility for a variety of applications
- Installation and configuration ease—simple steps help reduce the time it takes to have a camera operational
- Pendant/Surface housings are IP66 rated for extra environmental protection

TruVision™ Dome PTZ

Compact 16X Optical Zoom Camera



GE Security

North America
T 503-885-5700
T 888-GE-SECURITY
888-437-3287

Asia
T 852-2907-8108
F 852-2142-5063

Australia
T 61-3-9239-1200
F 61-3-9239-1299

Europe
T 32-2-725-11-20
F 32-2-721-40-47

Latin America
T 305-593-4301
F 305-593-4300

gesecurity.com

Specifications subject to change without notice.

© 2008 General Electric Company
All Rights Reserved

Application

The TruVision™ Dome PTZ Compact 16X Optical Zoom camera is an ideal solution for applications requiring Pan/Tilt/Zoom functionality with a smaller, more discrete form factor. A KTD-405 controller, used to control the unit, and power supply with 24VAC/24VDC output are required for operation. The compact 16X dome PTZ supports Digiplex® RS422 and Impac RS485 protocols for interfacing with GE devices supporting those protocols.

Specifications

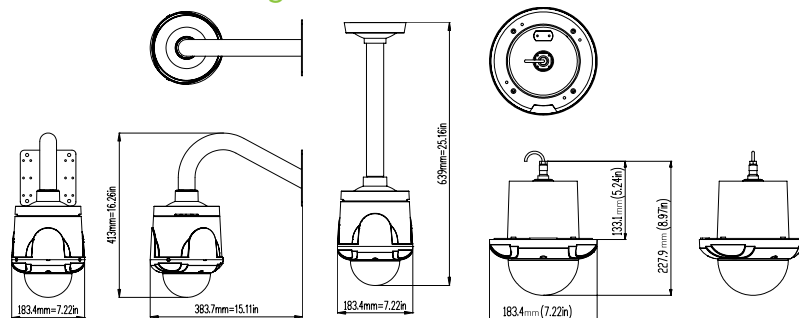
Model	TruVision Dome PTZ Compact 16X Optical Zoom Camera
Signal Format	NTSC, PAL
Sensor	¼ in., Super HAD CCD
Total Pixels	410K NTSC, 470K PAL
S/N Ratio	More than 48dB
Lens	X16 Zoom, (F1.6(W), F=3.9-63.0 MM)
Horizontal Resolution	More than 480 TVL
Minimum Illumination	1 Lux (30IRE)
Digital Zoom	8X
Sync System	Internal
White Balance	Auto, Special, Indoor, Manual
Control Protocols	DIGIPLEX RS-422, IMPAC RS-485, ASCII, PELCO D & PELCO P
Alarm Input	2-Channel
Video Output	Composite output 1Vp-p NTSC: 1/60 to 1/10,000 sec. (28 steps) PAL: 1/50 to 1/10,000 sec. (28 steps)
Electronic Shutter	

Panning Range (speed)	0 ~ 350° (120°/sec.)
Tilting Range (speed)	0 ~ 90° (120°/sec.)
Preset	63 positions
Camera ID	256
Shadow Tour	1
Operating Temperature	4 to 120° F (-10 to 50° C)
Storage Temperature	-40 to 140° F (-40° to 60° C)
Power Supply	24VAC/24VDC
Power Consumption (flush)	Maximum 16 VA
Power Consumption (surface)	Maximum 25 VA
Dimensions (ø x H)	ø 7.22 x 7.93 in (183.4 x 201.5 mm) flush ø 7.22 x 8.90 in (183.4 x 226 mm) surface
Weight (flush)	4.41 lbs. (2.0 kg)
Weight (surface)	7.72 lbs. (3.5 kg)

Ordering Information

GEC-DV-16FN	TruVision Dome PTZ Compact 16X Optical Zoom Camera, Flush Type, NTSC
GEC-DV-16FP	TruVision Dome PTZ Compact 16X Optical Zoom Camera, Flush Type, PAL
GEC-DV-16SN	TruVision Dome PTZ Compact 16X Optical Zoom Camera, Pendant/Surface Type, NTSC
GEC-DV-16SP	TruVision Dome PTZ Compact 16X Optical Zoom Camera, Pendant/Surface Type, PAL
GEC-DV-PM	TruVision Dome PTZ Compact 16X Optical Zoom Camera, Pendant Mount Kit
GEC-DV-WM	TruVision Dome PTZ Compact 16X Optical Zoom Camera, Wall Mount Kit
GEC-DV-PMA	NPT Pipe Mount Adaptor
GEC-DV-PMA-BSPT	BSPT Pipe Mount Adaptor
GEC-DV-TBAR	T-Bar Adaptor
GEC-DV-FELC	Extended Length Power and Data Interface Cable, Flush Type, 10 foot (3.05 m)
GEC-DV-SELC	Extended Length Power and Data Interface Cable, Pendant/Surface Type, 10 foot (3.05 m)
KTD-405	Controller Keypad

Dimensional Diagram



imagination at work