

www.GESecurity.com

KTD-134

Gate/Turnstile Receiver

Overview

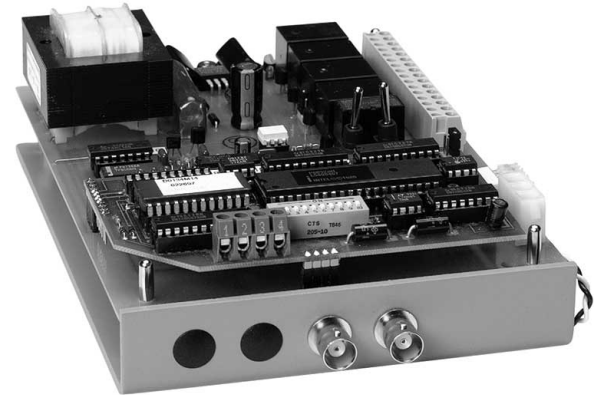
The KTD-134 is a multifunctional receiver that controls a gate or turnstile from a remote access point. It is designed for use in a Digiplex® system.

The receiver contains four dry-contact relays, a built-in tone generator for site call-in annunciation, and an audio follow relay for audio bus switching.

The KTD-134 features a main relay board, a plug-in decoder card, and a removable terminal strip for cable connections. The main relay board snaps onto an aluminum mounting panel, making installation and service easy. A weatherproof housing option is available for outdoor applications.

Outstanding Features

The KTD-134 is controlled through twisted-pair cable from one or more Digiplex keypads. To facilitate servicing, local switches are provided for on-site operation of control functions. Relays and ICs are socketed for easy removal and replacement.



Standard Features

- **Four 3-amp dry-contact relays**
- **Call-in capability for site annunciation**
- **Audio follow relay for connection to audio bus**
- **Built-in alphanumeric character generator**
- **On-site control switches**
- **Easily removable PC board**
- **Convenient mounting panel**



KTD-134

Gate/Turnstile Receiver

Specifications

Electrical

- Input voltage: 115 VAC, 50 to 60 Hz (220 VAC with E4 option)
- Input power: 8.5 VA
- Input data signal: RS422
- Output call signal: DTMF 1.25 V pk-pk typical on nominal 2-V pedestal
- Function relays type: SPDT dry contact
- Function relays contact rating: 3.0 A @ 30 VDC
- Audio follow relay type: DPDT dry contact
- Audio follow relay contact rating: 1.0 A @ 24 VDC

Function Relays

- Three normally open dry-contact relays. One normally open / normally closed (jumper-selectable) dry-contact relay. See figure below.

Controls

- On-site: SPDT momentary switches
- Site select: Multiposition DIP switch

Connections

- Power input: 3-pin locking connector
- Data signal: 4-position terminal strip
- Call signal, call button, audio bus, speaker/horn, relay function: 16-position removable terminal strip

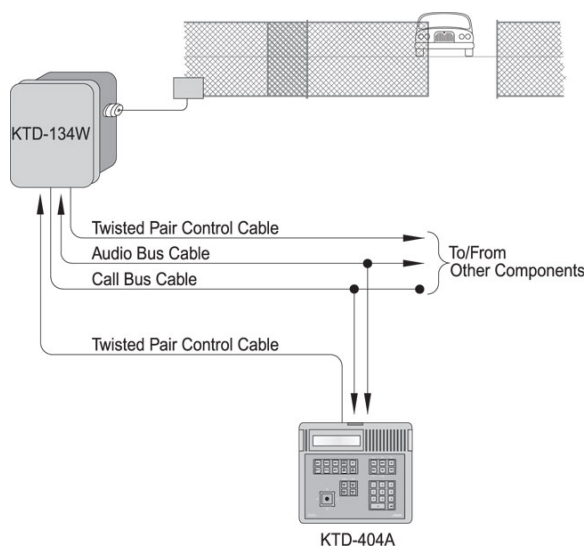
Mechanical

- Weight: KTD-134: 1.8 lb (0.8 kg); KTW-134W: 7.70 lb (3.5 kg)
- Indoor mounting plate material: 0.125 in (3.2 mm) aluminum
- Indoor mounting plate finish: Polyurethane enamel, profile gray
- Weatherproof housing: Gray fiberglass. When fitted with watertight seal devices, this enclosure meets NEMA 3, 4X, and 12 specifications.

Options

- Video switcher (V2, V3, V4): The KTD-134 can be ordered with an internal video switcher, enabling the user to select between 2, 3, or 4 cameras without switching site numbers. BNC connectors are provided for all video connections.
- Weatherproof (W): The KTD-134 can be enclosed in a weatherproof housing for outdoor applications. With this option, the relay board is mounted on swivel pins inside a fiberglass enclosure. This enables the board to swing sideways for easy access.

Related Diagram



Ordering Information

KTD-134

Blank	Gate/Turnstile Receiver
-8-1	Gate Receiver, Audio Buss Latch
V2	Gate Receiver, Video Option, 2 cameras
V3	Gate Receiver, Video Option, 3 cameras
V4	Gate Receiver, Video Option, 4 cameras
W	Gate/Turnstile Receiver with weatherproof housing



GE Security

Mailing Address
4575 Research Way, STE 250
Corvallis, OR 97333 USA
www.GESecurity.com

Americas
800-469-1676 (US only)
tel 541-754-9133
fax 541-754-7162

Asia
tel 852-2907-8108
fax 852-2142-5063

Australia
tel 61-3-9259-4700
fax 61-3-9259-4799

Europe
tel 32-2-725-11-20
fax 32-2-721-86-13

Latin America
tel 305-267-4301
fax 305-267-4300

www.GESecurity.com