

# REGENCY

by ITI

## ACCESS CONTROL ACCESSORIES

### Secure, Convenient Access Control That Fits Your Customer's Needs.

With ITI's complete line of Regency access control products, you can create custom systems with the perfect balance of control, convenience, and price.

For maximum security, Regency by ITI features advanced Wiegand card readers and accessories. For more flexibility, proximity card readers add an extra measure of user convenience. Every reader and accessory integrates fully with standard, 26-bit Wiegand format ITI security systems.

Of course, the main component of an effective, well-integrated system is Regency's Model 4720 Area Control Expander and the Model 4734 Access Control Expander. Complete specification sheets are available on both of these products.

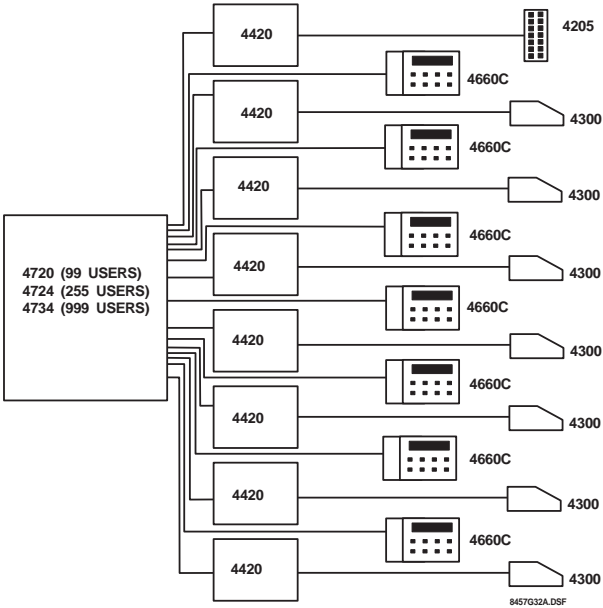
ITI's quality access control products provide years of superior security, exceptional reliability, and maximum user flexibility at an excellent value. For complete information on our access control products, please call ITI's Order Entry at 1-800-777-4841.

### Wiegand

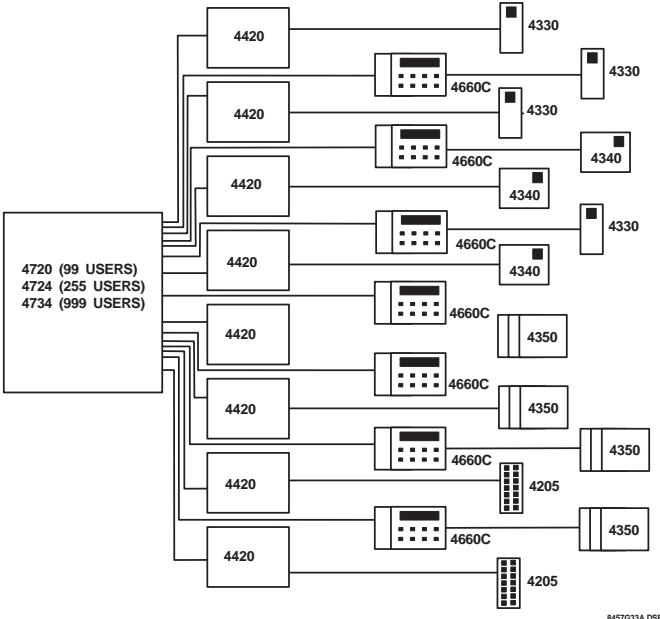
When this system used in conjunction with a Regency system, it provides Wiegand access control at up to 15 doors. This system can service from 99 to 999 users with thousands of configurations for readers and touchpads.

### Proximity

This system controls access at up to 15 doors when used in conjunction with Regency system controls. This system offers thousands of possible configurations.



One Possible Regency Wiegand System



One Possible Regency Proximity System

## Access Control Card Readers

Regency's access control card readers are the secure, cost-effective solution for controlling entry points. When maximum security is paramount, recommend Wiegand technology readers. If user convenience is essential, go with user-friendly Proxima readers. All card readers are designed for use with the 4734 Access Control System, and require the use of a Model 4420 door access module. Card readers can also be connected to a 4660C touchpad.

### Model 4300 Classic Wiegand Swipe Card Reader

Regency's Model 4300 is the most secure card access control system available today. Access is granted via Model 4301 Wiegand-encoded cards that are virtually impossible to counterfeit, alter, or copy. The reader mounts so that it is flat on any vertical surface and is virtually maintenance-free. Maximum reader-to-interface (or reader-to-touchpad) distance is 500 feet.



#### Features

- Maximum encoding security
- Maintenance-free operation
- Rugged, vandal-resistant construction
- Epoxy potted to seal moisture out
- Immune to external magnetic field
- Low long-term cost
- UL Listed for outdoor/indoor use

#### Specifications

**Dimensions:** 5.25" W x 2.25" H x 1.63" D

**Shipping Weight:** 1 pound

**Power:** 5 VDC at 25 mA (supplied by 4420 or 4460C)

**Accessories:** 4301 Wiegand Access Cards, 4420 Door Access Module or 4660C Touchpad

**Operating Temperature:** -40° to 150°F

### Model 4330 Proxima Mullion Mount Proximity Card Reader

The compact Regency Model 4330 features metal compensation technology for mounting on metal door mullions. This small, general-purpose reader offers excellent security with read ranges of up to four inches. Unlike card-swipe readers, Proxima systems may be activated by simply waving a purse or wallet, with a programmed access card enclosed inside, in front of the reader. This adds both speed and convenience for the users. The reader mounts on any vertical surface. The maximum reader-to-interface (or reader-to-touchpad) distance is 500 feet.



#### Features

- Mountable on metal door mullions or frames
- Excellent encoding security
- More convenient than card-swipe readers
- Rugged, vandal-resistant design
- Field configurable to meet the encoding requirements of existing systems
- UL Listed for outdoor/indoor use

#### Specifications

**Dimensions:** 1.65" x 5.65" x .77" (W x H x D)

**Shipping Weight:** 1 pound

**Power:** 12 VDC +/- 10% at 45 mA typical  
80 mA maximum (supplied by 4420 or 4460C)

**Accessories:** 4305 Proxima Clip-on Badge Proximity Card  
4306 Proxima Laminated Vinyl Proximity Card  
4308 Proxima Proximity Key Tag  
4420 Door Access Module  
or 4660C Touchpad

**Operating Temperature:** -40° to 150°F

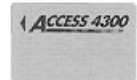
## Cards and Card Accessories

In conjunction with Wiegand and Proxima card readers, Regency by ITI access cards and accessories add secure, convenient access to any facility. Each access card is credit-card-sized (3.38 inches by 2.13 inches) and weighs 0.5 ounces.

Up to 99 cards may be used on a standard 4720 control, up to 255 cards may be used with the addition of a 4724 Area Control Expander, and up to 999 with the 4734 Access Control Expander.

*Note: Custom cards are also available. See your ITI dealer for full details.*

### Model 4301 Wiegand Access Cards



This credit-card-sized Wiegand-encoded card is designed for use with Model 4300 card reader. Embedded code stripe provides trillions of possible combinations, making it virtually impossible to counterfeit, alter, or copy. Durable laminated vinyl design provided with cross-referenced personal identification numbers (PINs).

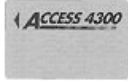
## Model 4305 Proxima Clip-On Badge Proximity Card

This badge may be used with clips or straps for maximum user convenience. It is hot-stamped and is cross-referenced with PIN numbers for extra security.



## Model 4306 Proxima Laminated Vinyl Proximity Card

This rugged, credit-card-sized proximity card is laminated for long life. It features an attractive, 2-color design and is hot-stamped. It fits easily into a wallet or purse. It is provided with cross-referenced personal identification numbers (PINs) for extra security. It is fully field programmable for easy installer encoding and quick delivery to the end user.



## Model 4308 Proxima Proximity Key Tag

This Proxima molded tag is small and convenient enough to be carried on a key ring. It is hot-stamped and includes cross referenced PINs (personal identification numbers). It is fully field programmable for easy installer encoding and quick delivery to the end user.



## Model 4309 Wet Film Photo Pack

This .015 inch thick polyester pack accepts a wet film photo insert for lamination. A pressure-sensitive adhesive then attaches the Photo Pack to the card. It features foolproof directions arrow design.



## Model 4313 Clear Access Card Holder with Integral Clip

This vertical, clear vinyl card holder attaches to clothing and accommodates credit-card-sized and badge-sized photo IDs and access cards. It is reusable.



## Hardware Accessories

Regency's hardware accessories are the essential building blocks for a reliable and affordable access control system. Every product is backed by ITI's reputation for quality, reliability, and compatibility.

### Model 5260 Printer Interface

Print a running activity record of all system events, including door access with the 5260 Printer Interface and a computer printer (not supplied by ITI). The 5260 connects the local printer to the 4720 system via the supervised expansion bus. It features two buffered outputs, one serial RS-232C port, and one Centronics compatible parallel port. Events are printed as they occur, including date and time. The 5260 is mounted in a lockable steel cabinet and includes an expansion bus cable (serial and parallel cables are not provided).



#### Specifications

**Dimensions:** 5.75" W x 10.50" H x 1.50" D

**Color:** gray

**Shipping Weight:** 4 pounds

**Power:** 11 to 14 VDC at 25 mA (supplied by 4720)

**Accessories:** Serial or parallel printer (not supplied by ITI)

### Model 4420 Door Access Module

The 4420 connects to the four-wire touchpad bus on the Model 4720 access control system. For quick, convenient door access, use Model 4205 SlimLine Door Access Touchpad and/or 4300 series card readers. In conjunction with 4660 series touchpads, up to 15 stations may be used. The 4420 features form-C door strike relay, dry contacts rated at 24 VDC at 5 amps, normally closed door position sensor input, normally open requests to exit input for motion sensor or switch.



#### Specifications

**Dimensions:** 6.88" W x 5.63" H x 1.38" D

**Color:** gray

**Shipping Weight:** 1 pound

**Power:** 11 to 14 VDC at 30 mA (supplied by 4720)

**Accessories:** 4205 SlimLine Touchpad, 4300 Series card readers, Door strike or electromagnetic door holder (not supplied by ITI)

## Model 4660C Commercial LCD Touchpad



This four-wire touchpad, designed for Model 4720, gives you push-button control over your system. It features a large, backlit Liquid Crystal Display (LCD) and illuminated buttons for easy viewing. Enter a user code directly into the touchpad or at an attached card reader. A built-in card reader input allows fast, easy connection to any Regency 4300 card reader. Less frequently used buttons are hidden by a decorator door. Features built-in form-C door strike relay, dry contacts rated at 24 volts AC/DC at 2 amps.

### Specifications

**Dimensions:** 7.13" W x 4.38" H x 1.13" D

**Color:** Two-tone gray

**Shipping Weight:** 21 ounces

**Power:** 11 to 14 VDC at 60 mA standby  
130 mA active (supplied by 4720)

**Accessories:** 4300 Series Card Readers, Door strike or electromagnetic door holder (not supplied by ITI)

## Model 4205 SlimLine Door Access Touchpad



This SlimLine touchpad features weather-resistant housing for outdoor/indoor use. Functions include arm/disarm and door access. Includes digits 1-9, "DOOR," Ready and Armed lights. It requires six wires and is not back-lit. It must be used with the 4420 Door Access Module.

### Specifications

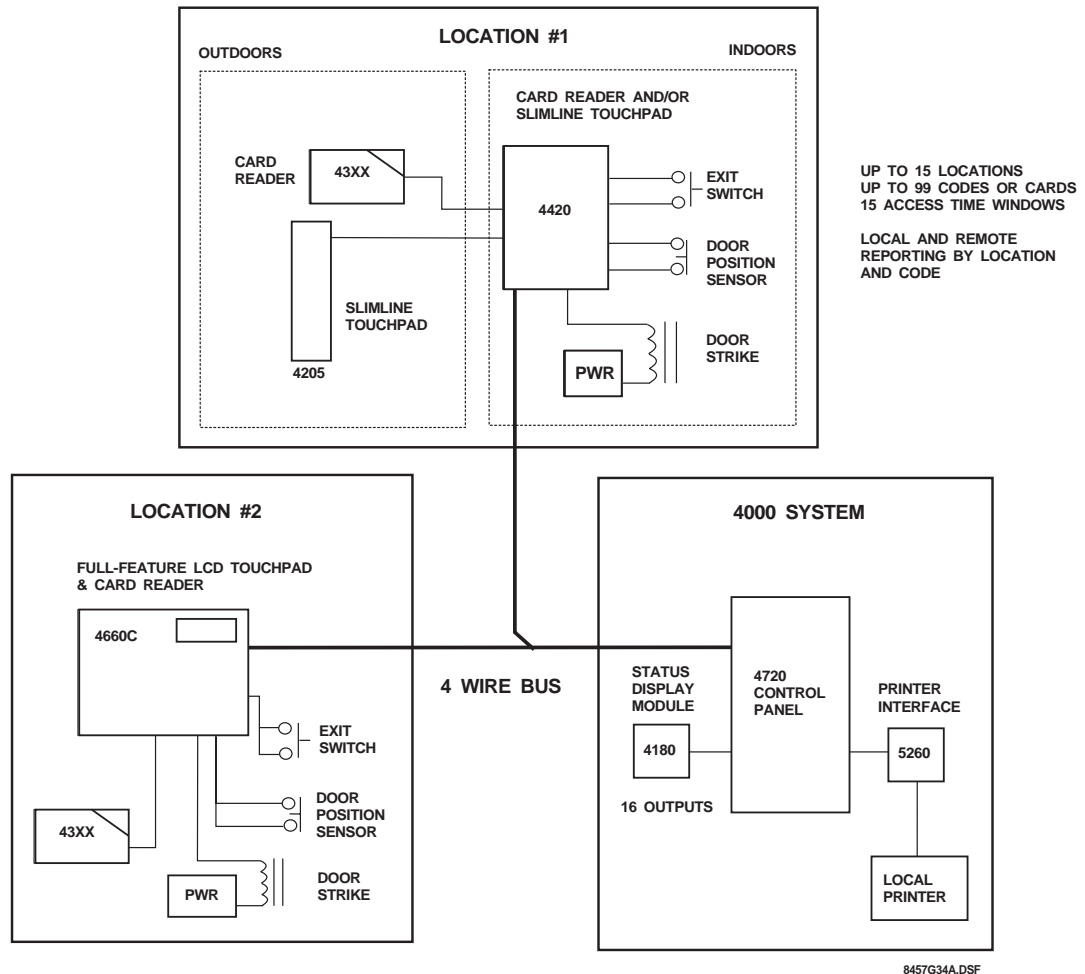
**Dimensions:** 1.5" W x 6.38" H x .50" D

**Color:** Silver/Gray

**Shipping Weight:** 8 ounces

**Power:** 11 to 14 VDC at 10 mA (supplied by 4720)

**Accessories:** 4420 Door Access Module



**Interactive Technologies, Inc.**  
2266 Second Street North  
North Saint Paul, MN 55109  
1-800-777-5484  
Fax: 1-651-779-4890

Specifications are subject to change without notice.  
ITI and Regency are registered trademarks of Interactive Technologies, Inc.

**ITI Part #: 150749, Rev. A**