

Cisco 1262 Wireless Access Point Installation Manual

Content

- Introduction 1
- Installation 1
- Installing a padlock (optional) 3
- Connecting the MobileView antenna 3
- Confirm access point power 4
- FCC compliance 4
- Contact information 4
- Mounting bracket template 5

Introduction

The Cisco® Aironet® 1262 Wireless Access Point is made for interior use only.

- Mount the access point in a secure location (inside the vehicle in a secure cabinet if possible).
- Ensure that the access point is in a well-ventilated area.

Read through these instructions before installation.

Note: A qualified service person, complying with all applicable codes, should perform all required hardware installation.

To use this document, you must have the following minimum qualifications:

- A basic knowledge of electrical wiring and low-voltage electrical hookups.

Installation

Before beginning, confirm you have all contents required:

- Cisco® Aironet® 1262 Wireless Access Point
- Mounting bracket (included with the access point)
- Cisco® Aironet® 1262 PoE Power Supply Unit
- MobileView Wireless Antenna
- Two Cat 5 Ethernet cables
- Required screws and washers for mounting the access point and power supply (not included). Mounting hardware is included with the antenna.

Part Numbers:

MSS-MISC-WIFI-126N:	Cisco® Aironet® 1262 Wireless Access Point
MSS-MISC-WIFI-PS:	Cisco® Aironet® 1262 Wireless Access Point Power Supply
MSS-MISC WIFIPS-CAB:	Power Supply Cable
MSS-MISC-ANT-4-240:	Quad-band antenna (supports PENTA GPS)
MSS-MISC-ANT-3-240:	802.11 antenna for installations with a MV-3000 DVR

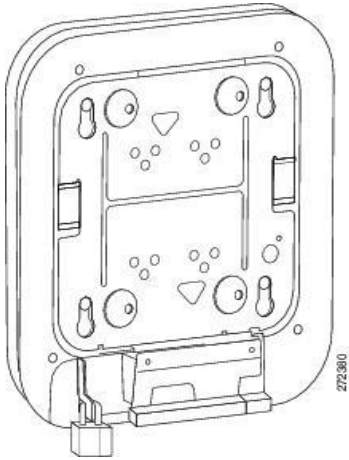
Mounting the Access Point

A mounting bracket (see Figure 1) is included with the access point. The mounting bracket comes detached from the access point. The four protruded holes in the mounting bracket are used to attach the bracket to the mounting surface.

Note: No hardware is required to attach the access point to the mounting bracket.

1. Examine the access point to see how it attaches to the mounting bracket and to ensure that the chosen mounting location allows clearance for the network cable connection.

Figure 1. Low-profile Mounting Bracket Installed on an access point



2. Using the mounting bracket as a guide, mark the position of the four mounting holes on the mounting surface. If the network cable to the access point will be routed through the mounting surface, cut a hole large enough for an Ethernet cable positioned under the cable bay area of the access point.
3. Drill the 4 mounting holes with an appropriate bit for the metal or fiberglass vehicle surface.
4. Install stainless steel rivnuts in any holes through fiberglass. Stainless steel self-tapping screw may be used in any holes through metal.
5. If the network cable is routed through the mounting surface, pull about 8 in. of cable through prior to securing the bracket to the surface.
6. Insert machine screws in the rivnut holes and self-tapping metal screws in any holes that are drilled directly into metal.

Install the Power Supply

1. Position the Power Supply near the DVR.
2. Secure the power supply to the rack or mounting surface by installing appropriate screws in the mounting holes.
3. Connect the 48 in. power cable, UTC PN MSS-MISC-WIFI-PS-CAB, to the Access Point Power Supply as shown in **Error! Reference source not found.** below. The green terminal block snaps into the power supply as shown. The opposite end of the power supply cable with the Mate-N-Lok plug connects to the vehicle wiring harness.

NOTE: If the vehicle does not have an existing wire harness equipped with a mating Mate-N-Lok connector specifically to power a MobileView wireless radio at 12VDC, the connector can be removed to connect the V+ and V- wire leads to the DVRs wiring harness (refer to the DVR wiring pin-out diagram).

Figure 2. Connect the power cable



Connect the Network Cables

The access point has one port labeled **CONSOLE** and one labeled **ETHERNET**. The power supply has one port labeled IN and one labeled OUT.

1. Connect the network cable to the access point port labeled **ETHERNET**.
2. Connect the other end of that same network cable to the access point port labeled OUT.
3. Connect a network cable from the DVRs GIGIBIT NET port to the IN port on the power supply.
4. Ensure that the network is wired correctly as shown in Figure 3.

Figure 3. Network cable connection



5. Attach the access point to the mounting bracket, tucking the cable into the cable bay area.

Installing a padlock (optional)

Use the security hasp on the adapter cable access cover and a padlock (that you provide) to secure your access point to the mounting plate. Compatible padlocks are Master Lock models 120T or 121T. The cable access cover on the mounting bracket covers the cable bay area (including the power port, Ethernet port, console port, and mode button) to prevent access.

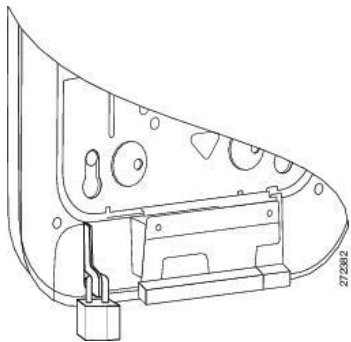
Follow these instructions to install the padlock:

1. With the access point installed on the mounting bracket, insert a padlock into the security hasp.

Note: If your access point is mounted to a hard ceiling, the clearance between the mounting bracket and the ceiling is small. Work slowly using both hands to position and secure the lock into the mounting bracket hasp.

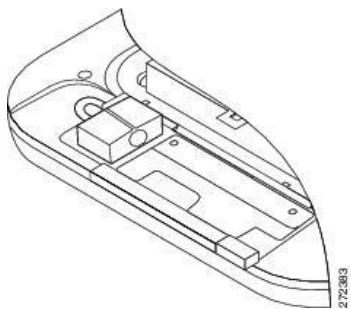
2. Rotate the lock clockwise and align the bail with the lock body.
3. Grasp the lock and push it into the bail to lock the lock. See Figure 4.

Figure 4. Inserting the padlock into the security hasp



4. Rotate the padlock into the padlock area. See Figure 5.

Figure 5. Rotating the padlock into the padlock area



Connecting the MobileView antenna

The Cisco 1262 Access Point has six antenna ports: three labeled 2.4 GHz ANTENNA as shown in Figure 6 below; and three labeled 5 GHz ANTENNA as shown in Error! Reference source not found. below.

Figure 6. Three antenna ports labeled 2.4 GHz ANTENNA



Figure 7. Three antenna ports labeled 5 GHz ANTENNA



Each port has a black rubber protective cap, as shown in Figure 8 below.

Figure 8. Black protective caps shown on four ports



Unless instructed otherwise for your specific installation, remove the three protective rubber caps from the access point ports labeled 5 GHz ANTENNA.

1. Attach the three 802.11 antenna cables to the three 5 GHz access point ANTENNA ports.
2. If the wireless antenna is part number MSS-MISC-ANT-4-240 and the DVR is a MobileView PENTA, connect the fourth antenna cable to the DVR's GPS port.

Confirm access point power

There is a small LED on the face of the access point, shown in Figure 8 as the small black square above the CISCO label.

When the access point is receiving power, the LED should illuminate green. The LED may flash initially and then become solid green. This confirms the access point is powered on.

FCC compliance

This equipment has been tested and found to comply with the limits for a Class B digital device, pursuant to part 15 of the FCC Rules. These limits are designed to provide reasonable protection against harmful interference when the equipment is operated in a commercial environment. This equipment generates, uses, and can radiate access point frequency energy and, if not installed and used in accordance with the installation instructions, may cause harmful interference to access point communications.

You are cautioned that any changes or modifications not expressly approved by the party responsible for compliance could void the user's authority to operate the equipment.

Contact information

North America:

855-MOBVIEW (662-8839)
MobileViewTS@fs.utc.com

Latin America:

561-998-6114
latam@interlogix.com

Web site:

www.interlogix.com/mobileview

Mounting bracket template

Use the mounting bracket template to mark the positions of the mounting and cable entry holes on the mounting surface.

