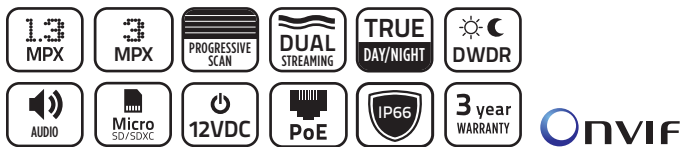


# 1.3MPx and 3MPx IR Bullet IP Cameras

IP Open Standards Cameras



## OVERVIEW

TruVision IP Megapixel Open Standards bullet IR cameras bring state-of-the-art, high-definition images to the mass video surveillance market. Designed to adhere to ONVIF Profile S open communication standards, these cameras also support a CGI command set for simple integration into any IP system. 1.3MPx and 3MPx resolution options provide the flexibility for a wide variety of applications.

An integrated browser and the varifocal models micro SD memory card storage capabilities simplify remote, live monitoring/ playback of edge-recorded video and audio. Memory card recording protects data in the event of network disruptions.

## STANDARD FEATURES

### Video

- 1.3MPx or 3MPx resolution options
- H.264 compression technology with dual-streaming capability accommodates multiple settings
- 4 or 6mm fixed or 2.8~12mm varifocal lens options
- Compatible with ONVIF Profile S open standards

### Video Enhancement

- Hallway view, ROI (Region of Interest)
- DWDR and/or real-time video streaming up to 1080p resolution to capture every detail
- True day/night functionality and infrared illuminators for capturing images in various lighting scenarios
- 82 or 98 ft. (25 or 30m) IR ranges - with on/off settings

### Video Alarms

- Integrated Motion Detection, Tamper proof and Privacy masking
- Advanced Cross line and Intrusion detection

### Audio and Edge Recording

- Select models support external audio I/O
- Varifocal models feature edge recording on up to 64GB micro SD/SDXC card for video playback (card not included)

### Installation and Environment

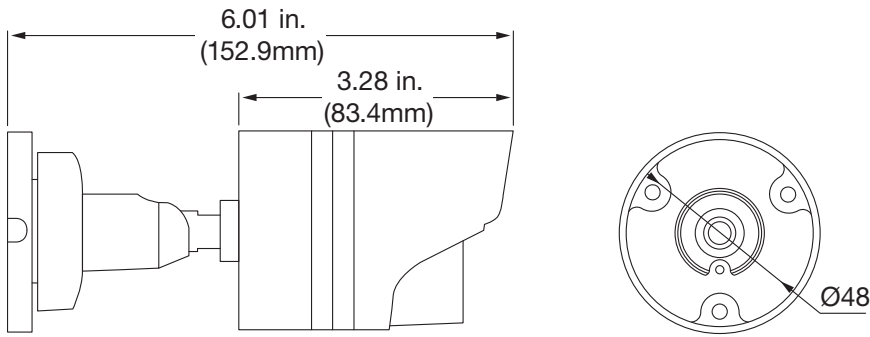
- IP66 Environmental rating
- Innovative cable management and bracketing system
- Included TruVision Device Manager program provides fast and easy access to newly added system devices

### Warranty

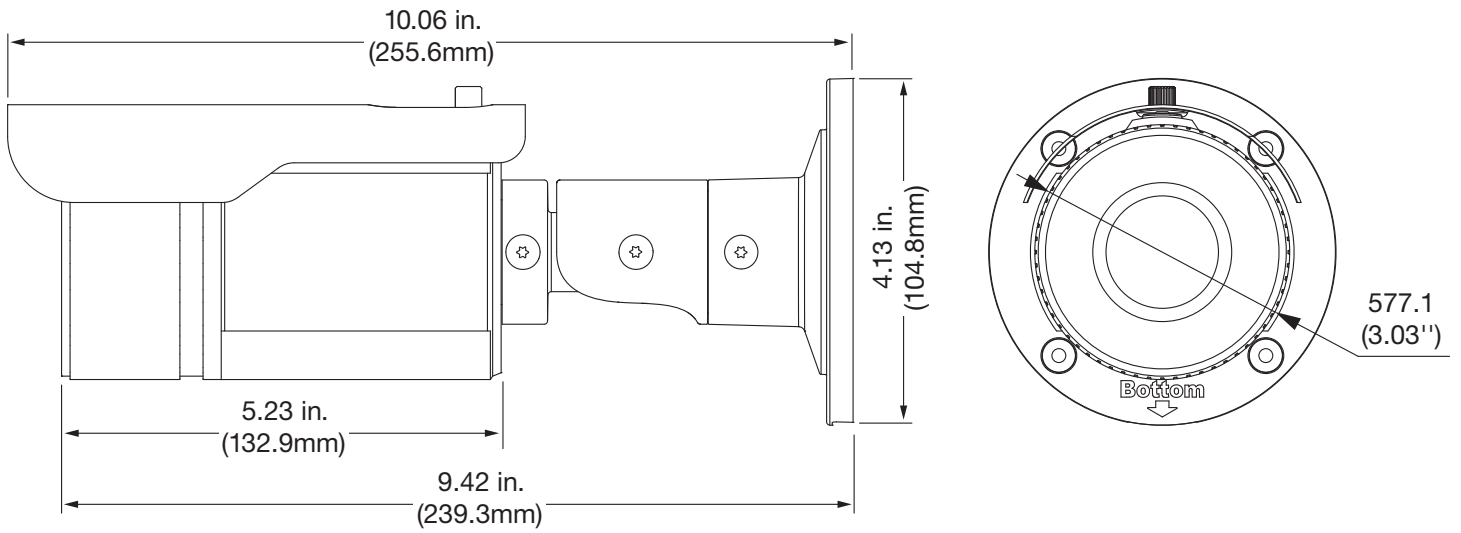
- 3-year warranty

## Dimensional Diagrams






### TVB-3101/1101, TVB-3102/1102, TVB3103/1103



### TVB-3104/1104, TVB-3105/1105



# Specifications

PART NO.	TVB-3101 TVB-1101	TVB-3102 TVB-1102	TVB-3103 TVB-1103	TVB-3104 TVB-1104	TVB-3105 TVB-1105					
Description										
Camera	Sensor Size					1/3" Progressive Scan CMOS sensor				
	Resolution		1.3MPx	3MPx	1.3MPx	1.3MPx	3MPx			
	Day/Night					IR cut filter with auto switch				
	IP Compression					H.264 (Main profile) / MJPEG				
	Maximum Resolution (@ FPS)		1280 x 960 @ 30fps (60Hz) 1280 x 960 @ 25fps (50Hz)	2048 x 1536 @ 20fps (60Hz) 2048 x 1536 @ 20fps (50Hz)	1280 x 960 @ 30fps (60Hz) 1280 x 960 @ 25fps (50Hz)	1280 x 960 @ 30fps (60Hz) 1280 x 960 @ 25fps (50Hz)	2048 x 1536 @ 20fps (60Hz) 2048 x 1536 @ 20fps (50Hz)			
	Maximum Real-Time Resolution (@ FPS)		1280 x 960 @ 30fps (60Hz) 1280 x 960 @ 25fps (50Hz)	1920 x 1080 @ 30fps (60Hz) 1920 x 1080 @ 25fps (50Hz)	1280 x 960 @ 30fps (60Hz) 1280 x 960 @ 25fps (50Hz)	1280 x 960 @ 30fps (60Hz) 1280 x 960 @ 25fps (50Hz)	1920 x 1080 @ 30fps (60Hz) 1920 x 1080 @ 25fps (50Hz)			
	Multiple Streaming					Dual Streams				
	Video Bit Rate					Mainstream: 128Kbps to 12Mbps; Sub-stream: 128Kbps to 8Mbps				
	WDR					DWDR (72dB)				
	Digital Noise Reduction					3D				
	Sensitivity		0.01 lux @ (f1.2, AGC ON) 0 lux @ (IR ON)	0.07 lux @ (f1.2, AGC ON) 0 lux @ (IR ON)	0.01 lux @ (f1.2, AGC ON) 0 lux @ (IR ON)	0.01 lux @ (f1.2, AGC ON) 0 lux @ (IR ON)	0.07 lux @ (f1.2, AGC ON) 0 lux @ (IR ON)			
	S/N Ratio					50 dB (AGC OFF)				
	Auto Exposure (shutter)					60 Hz: 1/3s ~ 1/100,000s, 50 Hz: 1/3s ~ 1/100,000s				
	Lens			6mm @ f2.0	4mm @ f2.0	2.8-12mm @ f1.4 auto iris				
	Focus			Fixed		Varifocal				
IR Distance			82 ft. (25 m) with on/off setting		98 ft. (30m) with on/off setting					
IR Wavelength					850nm					
Network	Ethernet Port					RJ45 10/100Mbps Auto-negotiate				
	Network Protocols					TCP/IP, UDP, HTTP, DHCP, DNS, DDNS, ezDDNS, DynDNS, RTP, RTSP, PPPoE, SMTP, NTP, SNMP, HTTPS, FTP, UPnP, NAT, MULTICAST, 802.1x, QoS, IPv4, IPv6				
Local Storage	Media			N/A		Micro SD/SDXC slot (card not included)				
	Capacity			N/A		Up to 64 GB				
Audio	Input			N/A		Audio IN/GND for external audio input; Supports mono Mic or line level input				
	Output			N/A		Audio OUT/GND for external audio connection				
	Audio bit rate (protocol)			N/A		64Kbps (G.711) / 16Kbps (G.726) / 32-128Kbps (MP2L2)				
Video Alarms	Basic					Motion Detection, Tamper Proof, Privacy Mask				
	Advanced					Cross line, Intrusion detection				
Standards & Integration						ONVIF (Profile S), PSIA, CGI				
Display	Display Mode					Flipped horizontally (up/down), vertically (right/left) or centered, Hallway view, ROI (Region of Interest)				
	On Screen Display (OSD)					Text overlay				
Electrical & Mechanical	Voltage Input			12VDC, PoE (IEEE 802.3-af)						
	Current			420 mA		625 mA				
	Power Consumption			5W (Max.)		7.5W (Max.)				
	I/O Connection			N/A		Wires 1/1				
	Dimensions			2.4 x 6.0 in. (60 x 153mm)		4.1 x 10.1 in. (104.8 x 255.6mm)				
	Weight			.82 lbs. (373g)		1.8 lbs. (800g)				
Environmental	Storage Temperature					-4°F~-158°F (-20°C~-70°C)				
	Operating Temperature					-22°F~-140°F (-30°C~-60°C)				
	Environmental Temperature					IP66				
	Vandal Rating					N/A				
Regulatory	Compliance					FCC, CE, UL, C-Tick, REACH, RoHS, WEEE				

# 1.3MPx and 3MPx IR Bullet IP Cameras

IP Open Standards Cameras

## Ordering Information

### NTSC

<b>TVB-3101</b>	TruVision® 1.3MPx Open Standards, Progressive Scan CMOS, Outdoor Bullet, True D/N, DWDR, 6mm Fixed Lens, 25m IR, ONVIF, PoE/12VDC, IP66, NTSC
<b>TVB-3102</b>	TruVision 3MPx Open Standards, Progressive Scan CMOS, Outdoor Bullet, True D/N, DWDR, 6mm Fixed Lens, 25m IR, ONVIF, PoE/12VDC, IP66, NTSC
<b>TVB-3103</b>	TruVision 1.3MPx Open Standards, Progressive Scan CMOS, Outdoor Bullet, True D/N, DWDR, 4mm Fixed Lens, 25m IR, ONVIF, PoE/12VDC, IP66, NTSC
<b>TVB-3104</b>	TruVision 1.3MPx Open Standards, Outdoor Bullet, True D/N, DWDR, 2.8~12mm VF Lens, 30m IR, Audio, Micro SD/SDXC Slot, ONVIF, PoE/12VDC, IP66, NTSC
<b>TVB-3105</b>	TruVision 3MPx Open Standards, Outdoor Bullet, True D/N, DWDR, 2.8~12mm VF Lens, 30m IR, Audio, Micro SD/SDXC Slot, ONVIF, PoE/12VDC, IP66, NTSC

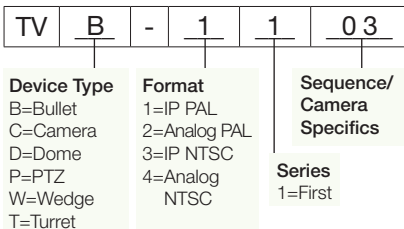
### PAL

<b>TVB-1101</b>	TruVision 1.3MPx Open Standards, Progressive Scan CMOS, Outdoor Bullet, True D/N, DWDR, 6mm Fixed Lens, 25m IR, ONVIF, PoE/12VDC, IP66, PAL
<b>TVB-1102</b>	TruVision 3MPx Open Standards, Progressive Scan CMOS, Outdoor Bullet, True D/N, DWDR, 6mm Fixed Lens, 25m IR, ONVIF, PoE/12VDC, IP66, PAL
<b>TVB-1103</b>	TruVision 1.3MPx Open Standards, Progressive Scan CMOS, Outdoor Bullet, True D/N, DWDR, 4mm Fixed Lens, 25m IR, ONVIF, PoE/12VDC, IP66, PAL
<b>TVB-1104</b>	TruVision 1.3MPx Open Standards, Outdoor Bullet, True D/N, DWDR, 2.8~12mm VF Lens, 30m IR, Audio, Micro SD/SDXC Slot, ONVIF, PoE/12VDC, IP66, PAL
<b>TVB-1105</b>	TruVision 3MPx Open Standards, Outdoor Bullet, True D/N, DWDR, 2.8~12mm VF Lens, 30m IR, Audio, Micro SD/SDXC Slot, ONVIF, PoE/12VDC, IP66, PAL

## Accessories

<b>TVD-M-PMA</b>	TruVision Pole Mount Adapter (use w/TVD-SNB or TVC-IP VF Bullet Cameras)
<b>TVD-M-CMA</b>	TruVision Corner Mount Adaptor for TVD-SNB (or TVC-IP VF Bullet Cameras)

## IP/Megapixel part number schema



interlogix.com

Specifications subject to change without notice.

© 2015 United Technologies Corporation.  
All rights reserved.

All trademarks are the property of their respective owners.  
Interlogix is part of UTC Building & Industrial Systems,  
a unit of United Technologies Corporation.

504-3918 2015/04 (81572)