

Box Camera

Premium 960H Camera
700TVL Resolution



OVERVIEW

The TruVision Box Camera delivers cost-effective surveillance with high-resolution video and multiple features for a variety of applications. Utilizing the latest CCD and DSP technologies, the camera offers 700TVL resolution and 0.001 lux sensitivity for outstanding performance.

Equipped with Digital Noise Reduction (DNR) capabilities, the TruVision box camera provides excellent video quality even under variable and harsh light conditions. Its Adaptive Tone Reproduction (ATR) reveals details under wide dynamic range conditions, while Highlight Compensation (HLC) technology suppresses intense situations such as bright vehicle headlights.

Installation and operation is fast and simple with on-screen menus for easy adjustment of advanced features, including privacy zones, motion detection and camera titles. With impressive video quality and a full range of user-friendly features, the TruVision box camera provides a powerful surveillance option on a moderate budget.

STANDARD FEATURES

- 700TVL resolution
- True day/night (removable IR cut filter)
- Adaptive Tone Reduction (ATR) provides superior video quality under wide dynamic light conditions
- Highlight Compensation (HLC) technology suppresses bright headlights
- Digital Noise Reduction (DNR) for enhanced image quality
- OSD menus for easy camera configuration
- Privacy zones and motion detection features

Box Camera

Premium 960H Camera 700TVL Resolution

North America
T 855-286-8889

Latin America
T 561-998-6114

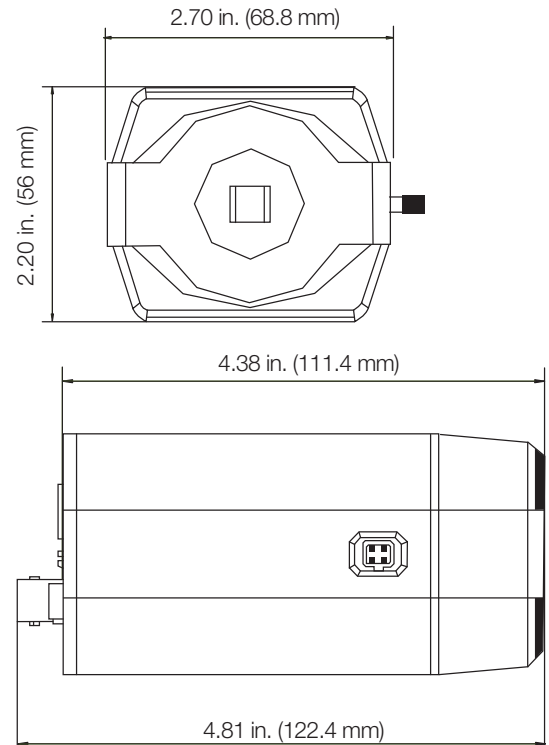
Specifications

Model	TVC-7120-1-N (-P)
Pickup Device	1/3" Super HAD CCD II
Total Pixels (H x V)	NTSC: 1028 x 508 / PAL: 1028 x 596
Effective Pixels	NTSC: 976 x 494 / PAL: 976 x 582
Resolution	700TVL
Synchronization System	Internal/Power
Scanning Mode	2:1 interlace
IR Cut	Yes
S/N Ratio	62 dB (AGC OFF)
Electronic Shutter	NTSC: 1/60 s to 1/10,000s PAL: 1/50 s to 1/10,000s
Minimum Illumination	0.001 lux (F1.2, AGC ON)
Video Output	1 Vp-p composite output (75 Ω/BNC)
White Balance	ATW/PUSH/USER1/USER2/ANTI CR/MANUAL/PUSH LOCK
Lens Type	C/CS-DC
Wide Dynamic Range	ATR
Digital Noise Reduction	2DNR
Highlight Compensation	HLC
Motion Detection	Yes: 4 separate monitor areas
Privacy Mask	Yes: 8 mask areas (only 4 when motion detection is ON)
Power Supply	24VAC/12VDC
Current	330mA
Power Consumption	Max. 4 W
Operating Temperature	-14°~140°F (-10°~+60°C)
Weight	0.88 lbs (400 g)

Ordering Information

TVC-7120-1-N	TruVision 960H/700TVL Color Box Camera, True D/N, 24VAC/12VDC, NTSC
TVC-7120-1-P	TruVision 960H/700TVL Color Box Camera, True D/N, 24VAC/12VDC, PAL

Dimensional Diagrams



interlogix.com

Specifications subject to change without notice.

© 2014 United Technologies Corporation.

All rights reserved.

Interlogix is a part of UTC Building & Industrial Systems,

a unit of United Technologies Corporation.

408-3853 2014/08 (79423)