

Rugged Dome Cameras

960H Premium Resolution,
700TVL Cameras

OVERVIEW

The TruVision® Rugged Dome Camera offers high-resolution video and multiple features that make it well suited for a variety of applications. Utilizing the latest CCD and DSP technologies, the camera delivers 960H premium resolution, 700TVL and 0.045 lux sensitivity for outstanding performance. A built-in IR illuminator (TVD-7125VE-2 models only) provides detail within the field of view even when no other illumination is applied.

Equipped with Digital Noise Reduction capabilities, the TruVision rugged dome camera offers excellent video quality even under variable and harsh light conditions. Its Adaptive Tone Reproduction (ATR) reveals detail under wide dynamic range conditions, while Highlight Compensation (HLC) technology suppresses intense situations such as bright vehicle headlights.

A varifocal lens and removable IR cut filter that provides true day/night surveillance makes the TruVision rugged dome camera ideal for both indoor and outdoor applications. Its weatherproof, vandal-resistant enclosure offers additional durability and reliable value.



STANDARD FEATURES

- 960H premium resolution, 700TVL
- True day/night (removable IR cut filter)
- Adaptive Tone Reduction (ATR) provides superior video quality under wide dynamic light conditions
- Highlight compensation (HLC) technology suppresses bright headlights
- Digital Noise Reduction (DNR) for enhanced image quality
- Varifocal lens: 2.8~12mm @ f1.4
- OSD menus for easy camera configuration onsite
- 3-axis gimbal bracket
- IP66 rating for weather-resistant performance
- Vandal-resistant, rugged enclosure
- 12VDC/24VAC power input
- Adapter plate included for electrical gang boxes

Rugged Dome Cameras

North America
T 855-286-8889

Latin America
T 561-998-6114

960H Premium Resolution, 700TVL Cameras

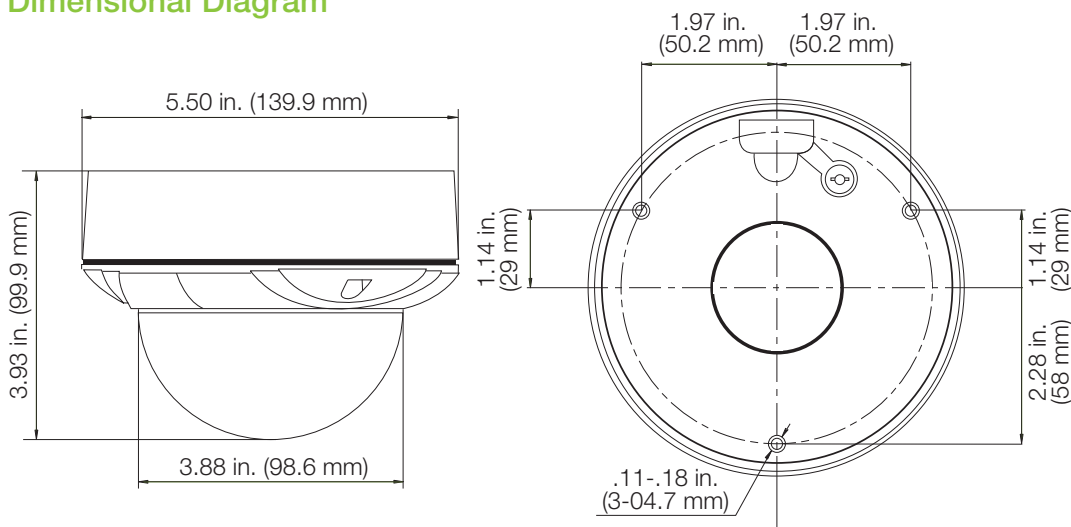
Specifications

Model	TVD-7120VE-2-N (-P)	TVD-7125VE-2-N (-P)
Pickup Device	1/3" Super HAD CCD II	
Total Pixels (H x V)	NTSC: 1028 x 508 / PAL: 1028 x 596	
Effective Pixels	NTSC: 976 x 494 / PAL: 976 x 582	
Resolution	700TVL	
Synchronization System	Internal/Power	
Scanning Mode	2:1 interlace	
IR Cut	Yes	
S/N Ratio	62 dB (AGC OFF)	
Electronic Shutter	PAL: 1/50 s to 1/10,000 s NTSC: 1/60 s to 1/10,000 s	
Minimum Illumination	0.045 Lux @ f1.2	0.045 Lux @ f1.2 0 Lux IR ON
IR Illumination Range	NA	20m (66 ft.)
Video Output	1 Vp-p composite output (75 Ω/BNC)	
White Balance	ATW/PUSH/USER1/USER2/ANTI CR/MANUAL/PUSH LOCK	
Lens Type	2.8~12mm @ f1.4 Angle of view: 80°~27.2°	
Wide Dynamic Range	DWDR	
Digital Noise Reduction	2DNR	
Highlight Compensation	HLC	
Motion Detection	Yes: 4 separate monitor areas	
Privacy Mask	Yes: 8 mask areas (4 when motion detection is ON)	
Power Supply	12VDC/24VAC	
Current	12VDC: 300mA 24VAC: 168mA	12VDC: 375mA 24VAC: 243mA
Power Consumption	12VDC: 3.5 W (max.) 24VAC: 4.0 W (max.)	12VDC: 4.5 W (max.) 24VAC: 5.9 W (max.)
Operating Temperature	-22°F~-140°F (-30°C~60°C)	
Operating Temperature (cold start)	14°F~-140°F (-10°C~60°C)	
Weight	1.76 lbs. (800g)	

Ordering Information

TVD-7120VE-2-N	TruVision® 700TVL/960H Color Outdoor/Indoor, True D/N, Vandal, VF 2.8~12mm, 24VAC/12VDC, NTSC
TVD-7125VE-2-N	TruVision 700TVL/960H Color Outdoor/Indoor, True D/N, IR LEDs, Vandal, VF 2.8~12mm, 24VAC/12VDC, NTSC
TVD-7120VE-2-P	TruVision 700TVL/960H Color Outdoor/Indoor, True D/N, Vandal, VF 2.8~12mm, 24VAC/12VDC, PAL
TVD-7125VE-2-P	TruVision 700TVL/960H Color Outdoor/Indoor, True D/N, IR LEDs, Vandal, VF 2.8~12mm, 24VAC/12VDC, PAL

Dimensional Diagram



interlogix.com

Specifications subject to change without notice.

© 2014 United Technologies Corporation.
All rights reserved.
Interlogix is part of UTC Building & Industrial Systems,
a unit of United Technologies Corporation.

406-3837 2014/08 (78143)