

DesignLine Tri-Zone Sensor

Wireless Three-Zone Sensing



OVERVIEW

The DesignLine Tri-Zone Sensor delivers superior performance for monitoring garage doors and multiple windows (such as bay windows) within close proximity to each other. This wireless sensor installs easily and cost-effectively, and is compatible with all Interlogix 319.5MHz control panels and receivers.

The Tri-Zone's advanced sensing design features a "tilt" sensor, making it the ideal solution for securing any garage door without having to run wires or secure a reed switch. Additionally, the sensor contains two external contacts which makes it ideal for protecting multiple windows such as bay windows. Equipped with a CR123A battery for long life, the Tri-Zone Sensor operates wirelessly with Interlogix intrusion panels, and communicates each time the door is opened or closed. Because the sensor is fully supervised, it can detect and immediately report a low battery or a tamper situation to the central station. With a low-battery LED indicator, the sensor provides visual verification that a battery needs replacing and ensures optimum security coverage.

STANDARD FEATURES

- Tri-zone sensing easily protects three zones in close proximity to each other, reducing installation time
- Easy garage door protection secures garage doors using "tilt" sensing capability with no magnet required
- Programmable tilt sensor output can instantly send a signal when it detects motion, or delay signal for up to one minute
- Low-battery LED indicator flashes every five seconds once a low battery is detected; signal is sent to the central station for easy identification
- Reed switch or hardwire inputs provides installation flexibility
- Fully supervised wireless transmitter allows for quick and easy installation

DesignLine Tri-Zone Sensor

Wireless Three-Zone Sensing

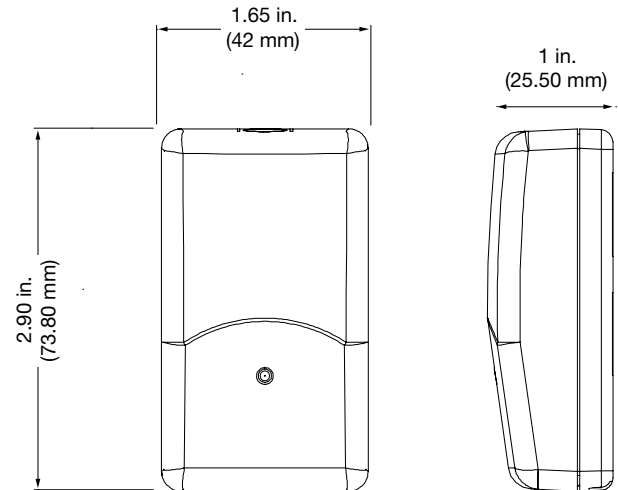
North America
T 855-286-8889

Latin America
T 561-998-6114

Specifications

| | |
|---------------------------------|---|
| Operating temperature (maximum) | 140°F (60°C) |
| Operating temperature (minimum) | 14°F (-10°C) |
| Operating voltage (minimum) | 3VDC CR123A lithium battery |
| Color | White |
| Enclosure material | ABS PA-765 |
| UL rating(s) | UL 634 Level 1 |
| FCC standard | Part 15 |
| Dimensions (L x W x H) | 2.90 x 1.65 x 1.0 in. (73.80 x 42 x 25.50 mm) |
| Battery | CR123A (Panasonic or approved equivalent) |
| Typical battery life | 5 years |
| Transmitter frequency | 319.508MHz |
| Transmitter frequency tolerance | +/- 8 khz |
| Bandwidth | 24 khz |
| Modulation type | Amplitude shift key (ASK) |
| Unique ID codes | 16 million |
| Peak field strength | Typical 40,000 uV/m at 3 meters |

Dimensional Diagram



Ordering Information

TX-8300-01-1 DesignLine Tri-Zone Sensor



interlogix.com

Specifications subject to change without notice.

© 2013 United Technologies Corporation.

All rights reserved.

Interlogix is part of UTC Climate, Controls & Security,
a unit of United Technologies Corporation.

305-3664 2013/11 (75038)