

# MCR Chassis

Media Converter Rack  
with Internal Power Supply - 15 slots



## OVERVIEW

The IFS MCR Series Media Converter Rack offers a low-profile (2.4U) design for efficient, high-density media converter installation in a standard EIA 19" rack. The chassis can accommodate up to 15 media converter modules from the IFS MCR Series family of media converters for Fast or Gigabit Ethernet transmission over optical fiber or coaxial cable.

### Plug-and-Play/Hot-swappable Design

The IFS MCR Series provides plug-and-play installation and is fully hot-swappable. This allows the insertion or removal of any media converter within the rack without interruption in operation of other modules within the rack.

### Reliable Redundant Power

The unique design of the IFS MCR Series Media Converter Rack provides a separate power supply bay in the rear of the unit. This allows for maximum usage of all 15 slots in the rack to be used for media converter modules.

The IFS MCR Series Media Converter Rack comes with one MCR-RPS installed. A second bay provides capacity for an additional power supply for redundant power operation to ensure continuous network performance in case of power supply failure.

The IFS MCR Series provides a cost-effective solution for migrating analog systems to IP, while still maintaining the investment in your current cabling infrastructure.

## STANDARD FEATURES

### Robust Design

- Standard EIA 19" design
- Plug-and-Play design
- Hot-swappable
- Built-in diagnostic indicators

### Redundant Power

- Convenient universal 100~240VAC power supply
- Two rear panel power bays for redundant power supply operation
- Electrically isolated power bays for highly reliable operation
- Built-in protection from over-voltage, over-current and short-circuit faults

### MCR Series Media Converters

- MCR200-1T/1CX  
Fast Ethernet to Coax
- MCR205-1T/1S  
Fast Ethernet to SFP (Managed)
- MCR300-1T/1S  
Gigabit Ethernet to SFP

### Warranty

- 3-year warranty

## Specifications

Connectors	Description
AC Line-in	IEC Socket
Back plane DC connector (one per slot)	2.5mm DC receptacle

### LED Indicators

Power 1 (Green)	On/AC power	Off/not powered or power failure
Power 2 (Green)	On/AC power	Off/not powered or power failure
Fan A (Green)	On/fan functioning	Off/fan malfunction
Fan B (Green)	On/fan functioning	Off/fan malfunction

### Electrical & Mechanical

Input Power	100~240 VAC, 50-60Hz @ 1.5A
Power Consumption	Unloaded: 10 watts / 34BTUs (with 1 Power Supply) Fully loaded: 88 watts / 301BTUs
Output power (backplane)	+5VDC
Enclosure	Metal
No. of slots	15
Fans	2
Dimensions (W x D x H)	17.3 x 7 x 4 in. (440 x 180 x 103mm) 2.4U height
Weight	9.47 lbs. / 4.30kg

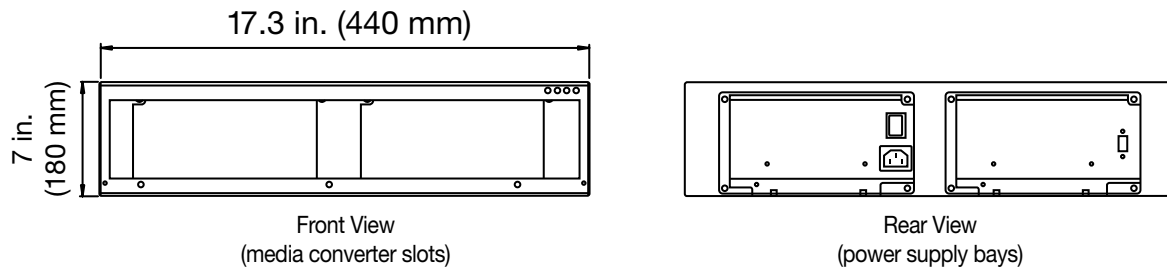
### Environmental

Reliability	MTBF > 50,000 hrs @ 25°C
Operating Temperature	0° ~ 50° C
Storage Temperature	-10° ~ 70° C
Relative Humidity	0 ~ 90% (non-condensing)

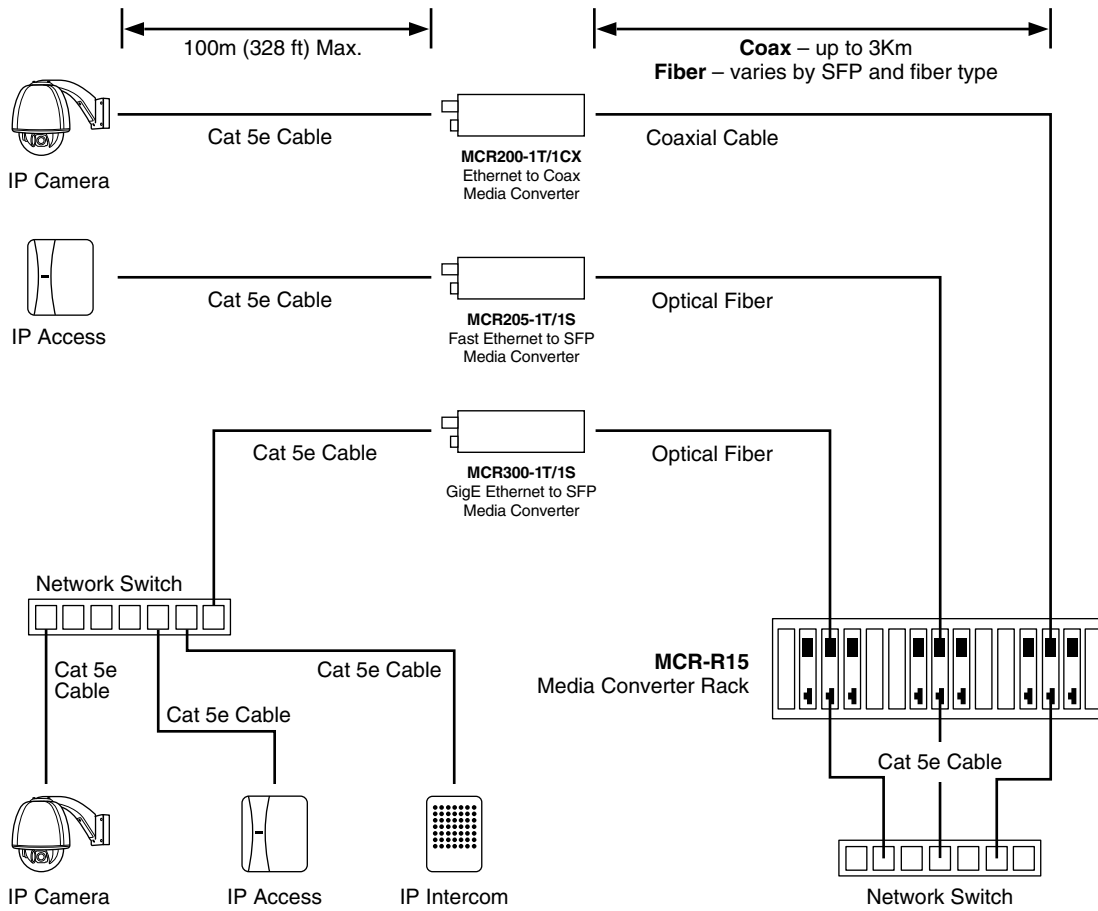
### Standards Compliance

Regulatory Compliance	FCC Part 15 Class A; CE; UL 60950-1; EN 60950-1; IEC 60950-1
EMI	EN 55022 CLASS A EN61000-3-2 EN61000-3-3
EMS	EN 50130-4 IEC 61000-4-2 IEC 61000-4-3 IEC 61000-4-4 IEC 61000-4-5 IEC 61000-4-6 IEC 61000-4-8

## Dimensional Diagrams



## Typical Application



# MCR Chassis

North America  
T 855-286-8889

Asia  
T 852-2907-8108

Australia  
T 61-3-9239-1200

Europe  
T 32-2-725-11-20

Latin America  
T 561-998-6114

Media Converter Rack  
with Internal Power Supply - 15 slots

## Ordering Information

MCR-R15	MCR Chassis with Internal Power Supply - 15 slots*
---------	--

\*Includes: Media converter rack; 1 x power supply (MCR-RPS); power cord; rack mounting accessory kit, 15 x blank panels (pre-installed), rubber feet and user manual.

## Accessories

MCR-RPS	MCR Chassis Redundant Power Supply - 100-240 VAC (130W)
---------	---

Specifications subject to change without notice.

© 2012 Interlogix, A UTC Fire & Security Company  
All rights reserved.

203-3497 2012/02 (68666E)



interlogix.com  
utcfireandsecurity.com