



GE Magnetic Contacts

1085T Series

Surface Mount with Screw Terminals



| Gap Distance | Closed Loop | SPDT |
|-------------------------|--------------------|-------------|
| Regular $\frac{3}{4}$ " | 1085T | 1087T |
| Wide $1\frac{1}{2}$ " | 1085TW | 1087TW |
| Extra Wide 2" | | 1084TW |

| | |
|-----------------|-----------------------------|
| Color | White, Mahogany Brown, Grey |
| Quantity | 10 |

100% **TESTED**



1085T-N

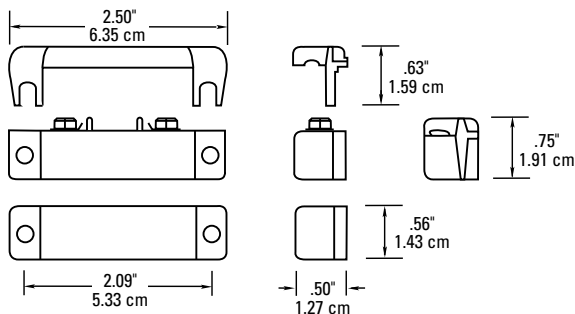


1085T Series

Surface Mount with Screw Terminals

Installation Instructions

- 1084TW, 1085T, 1085TW, 1087T, 1087TW** Select desired mounting positions for contact and magnet. On wide gap contacts (those with W suffix) align labels on contact and magnet so labels read in the same direction (switches are polarity sensitive). Attach with screws.
- General** If protective cover is to be used to shield screw terminals, allow space for "ears" of cover before tightening down mounting screws. Route connecting wires through holes provided in cover.



UL Specifications

| Part Number | Loop Type | Electrical Configuration | Gap Distance* |
|-------------|----------------|--------------------------|---------------|
| 1084TW | Open or Closed | SPDT | 2" |
| 1085T | Closed | N.O. | 3/4" |
| 1085TW | Closed | N.O. | 1 1/2" |
| 1087T | Open or Closed | SPDT | 3/4" |
| 1087TW | Open or Closed | SPDT | 1 1/2" |

* Gap Specifications are nominal and may vary $\pm 20\%$. Gap Specifications are for switch to make. Break distance is approximately 1.1 to 1.5 times make.

** European Union Specifications: 48 V AC/DC max, 0.5 Amp

** **FORM A (1085T, 1085TW)**

FORM C (1084TW, 1087T, 1087TW)

Voltage: 100 V AC/DC max

Voltage: 30 V AC/DC max

Current: 0.5 A max

Current: 0.25 A max

Power: 7.5 W max

Power: 3.0 W max

WARNING: Each electrical rating is an individual maximum and cannot be exceeded!

C-UL Specifications

All Contacts: 30 VDC, 50 mA max

Gap Specifications:*

See UL Gap Specifications



GE Interlogix