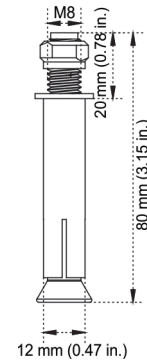
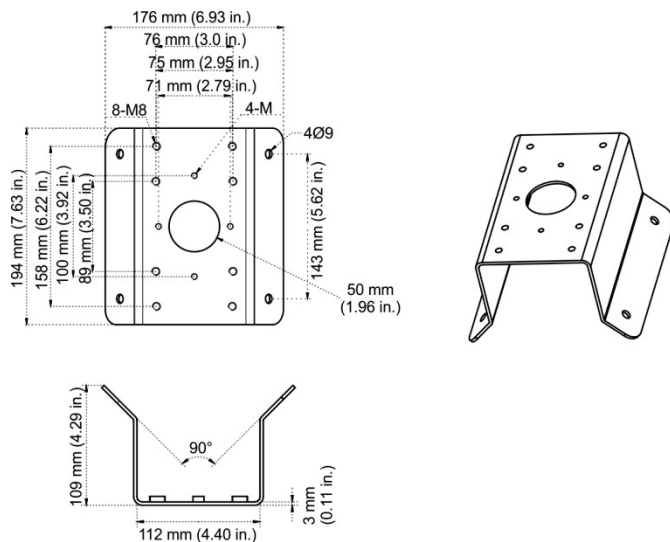


TVP-WM-CM Corner Mount Adapter Installation Instructions

Dimensions

Dimensions: 194 × 176 × 109 mm
(7.63 × 6.93 × 4.29 in.)



Weight: 1548 g (3.41 lbs.)

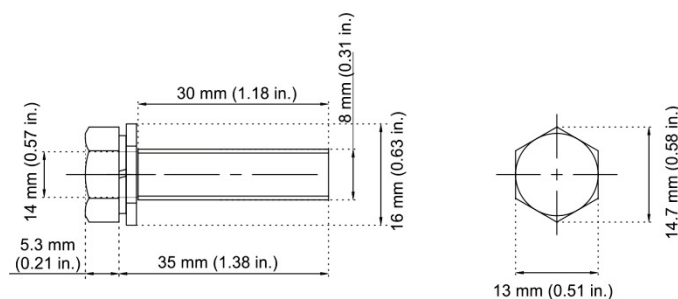
Supported brackets

The corner mount adapter can be used with the following wall mounts:

Wall mount brackets: TVP-WMB, GEA-102

Accessories:

Screw A: SC-HSFM8x25-SUS, 4 pieces with flat washer. (Used to install TVP-WMB PTZ wall mount to TVP-WM-CM corner mount adapter.)



Anchor B: Expansion anchor, 4 pieces (Used to install TVP-WM-CM corner mount adapter to the mounting surface.)

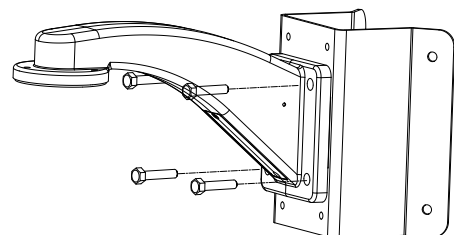
Installation

For the detailed instructions, refer to the installation guide for the PTZ camera that you are installing. The following requirements are mandatory precautions.

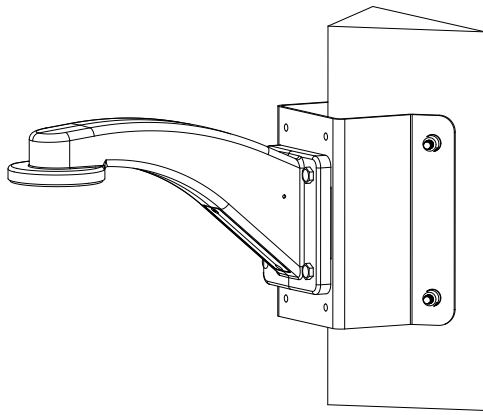
- The wall must be thick enough to install the expansion anchors.
- Ensure that the wall is strong enough to withstand more than eight times the weight of the PTZ camera, wall mount, and corner mount adapter.

To attach a PTZ wall mount to the corner mount adapter (TVP-WM-CM):

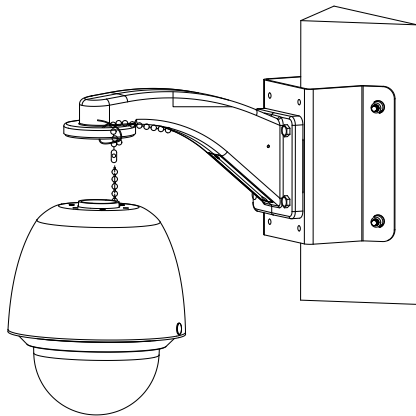
1. Install the PTZ wall mount on the PTZ corner mount adapter with screw A.



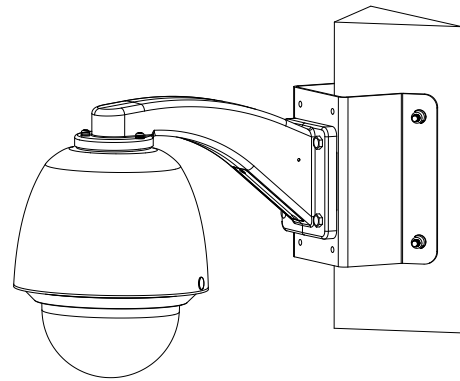
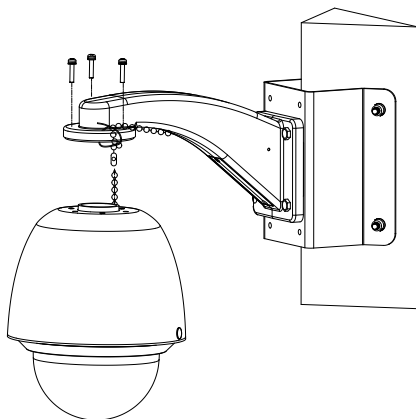
2. Mark the surface and drill four mounting holes. Install the PTZ corner mount adapter to the corner of a building using anchor B. Run the interconnect cables into the wall mount prior to bolting the corner adapter to the mounting surface.



3. Refer to wall mount installation instructions for details on selecting the proper lanyard and installation guidelines (mating lanyard connection type. May be a chain, clip, or metal loop.) While holding the PTZ camera, attach the safety lanyard to the PTZ camera lanyard.



4. Route the PTZ interconnect cables through the TVP-WM wall mount. An access panel is provided at the base of the wall mount, which will ease the process of hooking up the interconnect cables to the video system.
5. Refer to wall mount bracket installation instructions for installation guidelines.



Legal information

Trademarks and patents The trade names used in this document may be trademarks or registered trademarks of the manufacturers or vendors of the respective products.

Certification



Manufacturer

Interlogix
2955 Red Hill Avenue, Costa Mesa, CA 92626
5923, USA
Authorized EU manufacturing representative:
UTC Fire & Security B.V.
Kelvinstraat 7, 6003 DH Weert, The Netherlands

Product warnings and disclaimers

THESE PRODUCTS ARE INTENDED FOR SALE TO AND INSTALLATION BY QUALIFIED PROFESSIONALS. UTC FIRE & SECURITY CANNOT PROVIDE ANY ASSURANCE THAT ANY PERSON OR ENTITY BUYING ITS PRODUCTS, INCLUDING ANY "AUTHORIZED DEALER" OR "AUTHORIZED RESELLER", IS PROPERLY TRAINED OR EXPERIENCED TO CORRECTLY INSTALL FIRE AND SECURITY RELATED PRODUCTS.

For more information on warranty disclaimers and product safety information, please check www.firesecurityproducts.com or scan the following code:



Contact information and manuals

For contact information go to:
www.interlogix.com or
www.firesecurityproducts.com

To get translations for this and other product manuals go to: www.firesecurityproducts.com