

TVD-LWB-AD Bracket Adapter Installation Instructions

Description

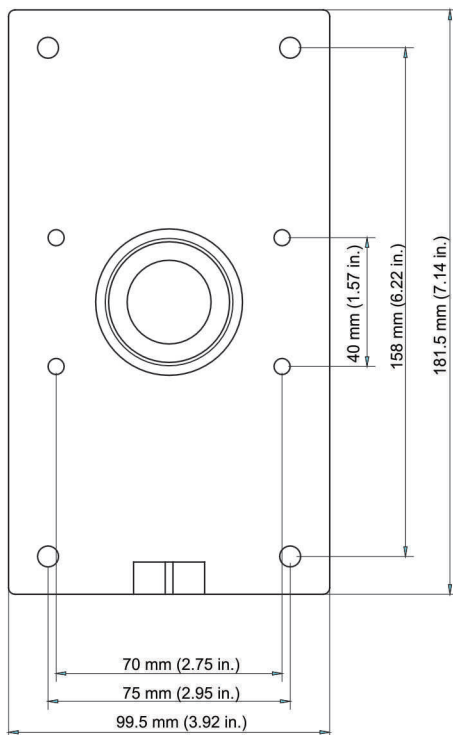
TVD-LWB-AD is an adapter plate used when attaching a TVD-LWB-1 or TVD-LWB-2 L-shaped wall mount bracket to a TVD-SNB-BB back box.

Note: When installing the TVD-LWB-1 or TVD-LWB-2 wall mount outdoors, please select a camera with an IP66 weather resistant rating. Conceal the cable harness in the TVD-SNB-BB back box.

Please refer to the installation instructions for TVD-SNB-BB, TVD-LWB-1 and/or TVD-LWB-2 for more information.

Figure 1: Physical descriptions

Dimensions: 181.5 × 99.5 mm (7.14 × 3.92 in.)



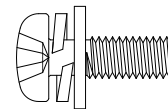
Weight: 292 g (0.64 lb.)

Accessories:

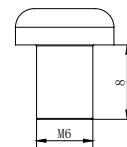
Bolt A 4 pcs (M6 x 10 mm)
When installing heavier motorized domes, use this bolt to attach the TVD-LWB-1 or TVD-LWB-2 L-shaped wall mount to the adapter plate.



Screw B 4 pcs (M6 x 12 mm)
Use to attach the TVD-LWB-AD to TVD-SNB-BB.



Screw C 4 pcs (M6 x 8 mm)
When installing lighter fixed or VF lens domes, use this screw to attach the TVD-LWB-1 or TVD-LWB-2 to TVD-LWB-AD.

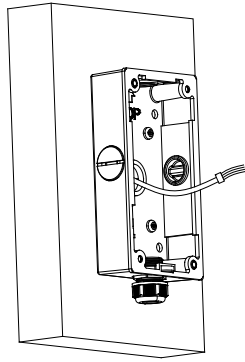


Rubber plug 4 pcs
Use for the two upper holes on the TVD-LWB-AD.

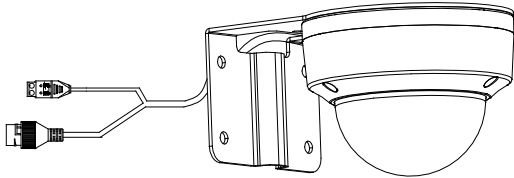


Installation

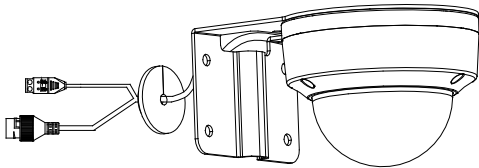
1. Follow all local safety regulations and the TVD-SNB-BB installation instructions while installing the camera and accessories. Install the TVD-SNB-BB back box to the mounting surface. Pull the interconnect cable(s) through the appropriate access hole in the back box. Several access points are provided, to accommodate a variety of installation types.



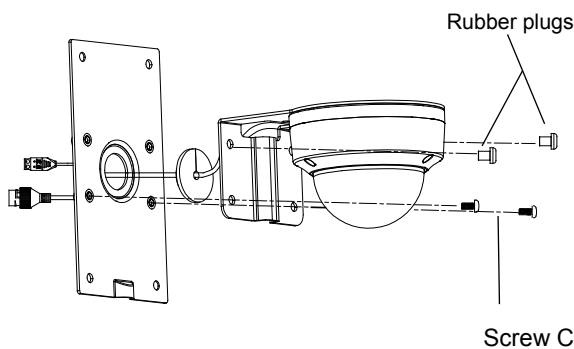
2. Follow the instructions in the camera installation manual and the TVD-LWB-1 / TVD-LWB-2 installation instructions. Mount the camera to the wall bracket.



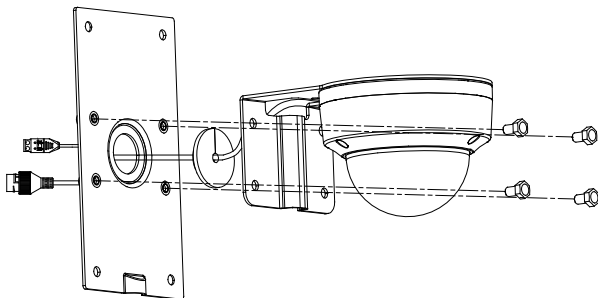
3. Remove the water-resistant rubber plug from the adapter plate and route the camera cables through the rubber plug.



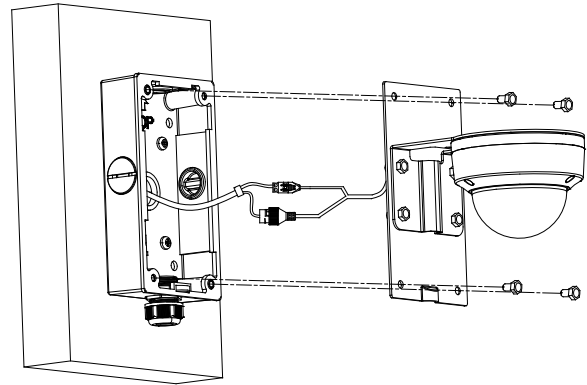
4. Re-insert the rubber plug into the TVD-LWB-AD adapter plate. Attach the TVD-LWB-1 or TVD-LWB-2 wall mount (with the camera attached) to the adapter plate. If working with the lighter fixed or VF lens domes, use the two enclosed screws (C) and the two rubber plugs to cover the two remaining holes in the wall bracket.



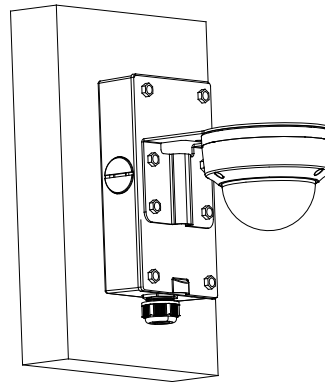
If using the TVD-LWB-2 with heavy motorized dome cameras, please install bolts (A) with a wrench.



5. Connect the cables and install the adapter plate to the back box, with the four screws (B) supplied with the TVD-SNB-BB.



6. Finish the installation.



Note: You may need to remove the camera bubble to complete the installation/set-up.

Legal information

Manufacturer	Interlogix. 2955 Red Hill Avenue, Costa Mesa, CA 92626 5923, USA Authorized EU manufacturing representative: UTC Fire & Security B.V. Kelvinstraat 7, 6003 DH Weert, The Netherlands
Copyright	© 2016 United Technologies Corporation. Interlogix is part of UTC Climate, Controls & Security Systems, a unit of United Technologies Corporation. All rights reserved.
Trademarks and patents	The trade names used in this document may be trademarks or registered trademarks of the manufacturers or vendors of the respective products.

Contact information

For contact information, see www.interlogix.com or www.utcssecurityproducts.eu.