

UltraView UVC-6130-1 WDR Camera Quick Start Guide

Introduction

This is the Quick Installation Guide for the UVC-6130-1-XX WDR color box camera.

Refer to the user manual for complete instructions on installing and configuring this camera.

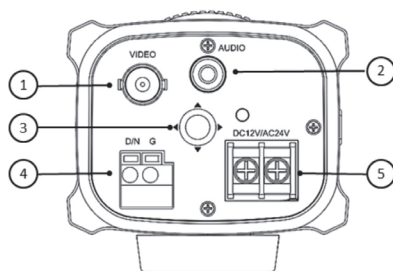
User guidelines

- Program the camera settings as much as possible before mounting the camera. Take appropriate safety precautions while completing programming after installation.
- Always use a 12 VDC or 24 VAC UL listed Class 2 power supply to power the camera.
- Do not use the camera over the temperature range specifications: -10°C to +50°C (14°F to 122°F)
- If the light source where the camera is installed experiences rapid, wide- variations in lighting, the camera may not operate as intended.

WARNING: To reduce the risk of fire or electronic shock, do not expose the camera to rain or open the back of the camera.

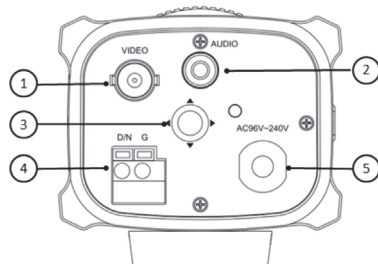
Description

Figure 1: Camera UVC-6130-1-P/N description



- | | |
|--------------------|-------------------------------|
| 1. Video output | 4. D/N trigger pin |
| 2. Audio output | 5. 12 VDC / 24 VAC dual power |
| 3. OSD control pad | |

Figure 2: Camera UVC-6130-1-P2 description



- | | |
|--------------------|--------------------------------|
| 1. Video output | 4. D/N trigger pin |
| 2. Audio output | 5. AC96V/AC240 universal power |
| 3. OSD control pad | |

Installation

Please check the package contents and make sure that the device in the package is in good condition and all the assembly parts are included.

Note: Before installing, please ensure that the mounting surface is strong enough to withstand three times the weight of the camera. If the wall is not strong enough, the camera may fall and cause serious damage.

Install the camera

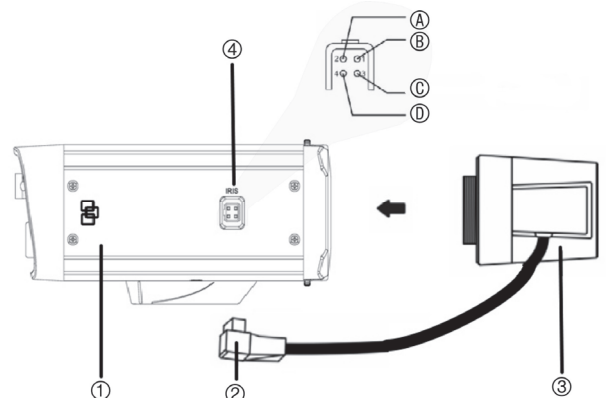
1. Connect the video cable.

Connect a coaxial cable from the camera's BNC connector to a CCTV monitor or video recording device.

2. Attach the lens.

Note: For optimal performance, use an auto iris lens. Refer to the instructions that came with the lens you purchased for complete installation instructions of that lens.

Figure 3: Attaching the lens



- | | |
|--------------------------|--|
| 1. Camera | 4. DC type autoiris lens leads |
| 2. Autoiris lens plug | A. Damping coil (+); B. Damping coil (-); C. Driving coil (+); D. Driving coil (-) |
| 3. Lens (autoiris shown) | |

Screw the lens clockwise onto the lens mount of the camera. For optimal performance, please use an auto iris lens. Plug the auto-iris drive cable to the 4-pin interface on the side of the camera.

Note: Please prevent dust from entering between the lens mount and the lens.

3. Connect the power cable.

For UVC-6130-1-P/N:

With a screwdriver, loosen the ~AC24V/DC12V and GND terminal screws on the terminal block. Connect a universal 12 VDC/24 VAC power supply to the terminal block.

Note: The terminal block is not polarity sensitive. Either power lead can be connected to either terminal connector. There is no need for an isolated ground wire. The two power terminals can accept any polarity and any combination of power that equals 12 VDC or 24 VDC.

Retighten the terminal screws until snug, ensuring that the power leads are secure. Supply power to the unit by plugging the power supply into a proper source.

Note: The power LED illuminates to show that the camera is receiving power. If it does not illuminate, check the terminal block connections and the power source

For UVC-6130-1-P2:

Connect the power cable of a high voltage camera to either a 230 VAC or a 120 VAC power supply outlet.

Programming

Once the camera hardware has been installed, the camera can then be configured. Program the camera by attaching a standard video monitor to the system.

OSD control pad

The on-screen display (OSD) control pad (see Figure 1/Figure 2) is a five-direction button that lets you manually control the camera functions. Table 1 below lists the OSD control pad functions and describes their use.

Table 1 Description of the OSD control pad

Pad direction	Description
Up	Moves the cursor upward to select an item
Left	Moves the cursor left to select or adjust the options of the selected item.
Right	Moves the cursor to the right to select or adjust the options of the selected item.
Down	Moves the cursor downward to select an item.
Enter	Press the center of the control pad to display the Setup menu. If the selected item has its own menu, press the control pad to enter a submenu.

Accessing the menus

Press **Enter** on the camera's OSD control pad to display the Setup menu (see Figure 4 below). The Setup menu provides access to the camera configuration options (Figure 5). The OSD is only available in English.

Figure 4: Setup menu screen

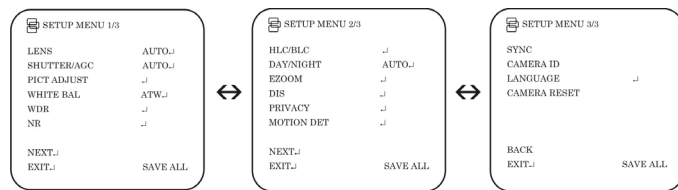


Table 2: Setup menu description

Menu item	Description
Lens	Defines the lens type as manual or autoiris.
Shutter/AGC	Defines the method of light control.
Pict Adjust	Defines the image quality functions.
White Bal	Defines the white balance (WB) set up.
WDR	Defines the wide dynamic range (WDR) set up.
NR	Defines the digital noise reduction level.
BLC/HLC	Defines the highlight compensation (HLC) and backlight compensation (BLC) set up.
Day/Night	Defines the day/night (D/N) set up.
EZOOM	Enables/disables digital zoom.
DIS	Enables/disables the digital image stabilizer.
Privacy	Defines privacy mask set up.

Menu item	Description
Motion Det	Defines the motion detection set up.
Sync	Displays the current synchronization mode.
Camera ID	Defines the camera ID displayed on-screen.
Language	Defines the language of the OSD.
Camera Reset	Resets the camera to factory default settings.
Save All	Saves all configuration changes made.
Exit	Exits the menu and returns to live mode. Saves changes made.

Specifications

Model	UVC-6130-1-N(P)	UVC-6130-1-P2
Lens type	C/CS-DC drive	
Power supply	24 VAC / 12 VDC	96 to 240 VAC
Current	300 mA	Max. 50 mA
Power consumption	Max. 3.6 W	Max. 4.8 W
Operating temperature	-10 to +50 °C (14 to 122 °F)	
Weight	390 g (0.85 lbs)	

Menu map

Figure 5: Menu map

