

AL-1205 Data Gathering Panel

Installation Manual



Copyright © 2012 UTC Fire & Security Americas Corporation, Inc.

Interlogix is part of UTC Climate Controls & Security,
a unit of United Technologies Corporation. All rights reserved.

This document may not be copied or otherwise reproduced, in whole or in part, except as specifically permitted under US and international copyright law, without the prior written consent from UTC Fire & Security.

Document number/revision: **1040732 REV E** (October 2012).

Disclaimer THE INFORMATION IN THIS DOCUMENT IS SUBJECT TO CHANGE WITHOUT NOTICE. UTC FIRE & SECURITY ASSUMES NO RESPONSIBILITY FOR INACCURACIES OR OMISSIONS AND SPECIFICALLY DISCLAIMS ANY LIABILITIES, LOSSES, OR RISKS, PERSONAL OR OTHERWISE, INCURRED AS A CONSEQUENCE, DIRECTLY OR INDIRECTLY, OF THE USE OR APPLICATION OF ANY OF THE CONTENTS OF THIS DOCUMENT. FOR THE LATEST DOCUMENTATION, CONTACT YOUR LOCAL SUPPLIER OR VISIT US ONLINE AT WWW.UTCFIREANDSECURITY.COM.

This publication may contain examples of screen captures and reports used in daily operations. Examples may include fictitious names of individuals and companies. Any similarity to names and addresses of actual businesses or persons is entirely coincidental.

Trademarks and patents Alliance product and logo are registered trademarks of UTC Fire & Security.

Other trade names used in this document may be trademarks or registered trademarks of the manufacturers or vendors of the respective products.

Software license agreement **IMPORTANT:** THIS END-USER LICENSE AGREEMENT (“AGREEMENT”) IS A LEGAL AGREEMENT BETWEEN UTC FIRE & SECURITY AND YOU. READ THE FOLLOWING TERMS AND CONDITIONS CAREFULLY BEFORE INSTALLING OR USING THIS SOFTWARE. THIS AGREEMENT PROVIDES A LICENSE FROM UTC FIRE & SECURITY TO USE THE SOFTWARE. IT ALSO CONTAINS WARRANTY INFORMATION, DISCLAIMERS, AND LIABILITY LIMITATIONS. INSTALLING AND/OR USING THE SOFTWARE CONFIRMS YOUR AGREEMENT TO BE BOUND BY THESE TERMS AND CONDITIONS. IF YOU DO NOT AGREE WITH THESE TERMS AND CONDITIONS, DO NOT INSTALL OR USE THE SOFTWARE OR, IF ALREADY INSTALLED, IMMEDIATELY CEASE ALL USE OF THE SOFTWARE AND PROMPTLY UNINSTALL ALL COMPONENTS OF THE SOFTWARE.

1. License. In this Agreement, you, the purchaser of the rights granted by this Agreement, are referred to as You or Your, whether an individual or a business entity of any kind. Subject to the terms and conditions of this Agreement, UTC Fire & Security, grants You a nonexclusive license to use the accompanying software (including any upgrades, modified versions, updates, additions and copies of the software furnished to You during the term of the Agreement) (“Software”), and all associated media, printed materials, and electronic documentation accompanying the Software (“Documentation”), but only in the country where acquired from your supplier and/or authorized reseller (“Supplier”). In this Agreement, the Software and Documentation are referred to as the Licensed Product.

All rights to and in the Licensed Product, including, but not limited to, copyrights, patents, trademarks, and trade secrets, belong to UTC FIRE & SECURITY, and UTC FIRE & SECURITY retains title to each copy of the Software. You may only install and use the Software on a single computer, workstation, or terminal (“Computing Device”) at one time, unless You have purchased additional copies of the Software, in which case You may install the software on the number of Computing Devices for which You have purchased copies of the Software. You may not use the Software over a computer network. You may not transfer or distribute the Licensed Product to others, in electronic format or otherwise, and this Agreement shall automatically terminate in the event of such a transfer or distribution. You may not sell, rent, lease, or sublicense the Software. You may not copy or modify the Licensed Product for any purpose, including for backup purposes. You may use the original copy of the Software provided to You for backup purposes. You agree that UTC FIRE & SECURITY at any time, upon reasonable notice, may audit Your use of the Software for compliance with the terms and conditions of this Agreement.

2. Term. This Agreement is effective until terminated. You may terminate this Agreement by uninstalling all components of the Software from all Computing Devices and returning the Licensed Product to UTC FIRE & SECURITY. UTC FIRE & SECURITY may terminate this Agreement if You breach any of these terms and conditions. Upon termination of this Agreement for any reason, You agree to uninstall all components of the Software and return the Licensed Product to UTC FIRE & SECURITY. All provisions of this Agreement relating to (i) disclaimer of warranties; (ii) limitations on liability, remedies, and damages; and (iii) UTC FIRE & SECURITY's proprietary rights, shall survive termination of this Agreement.

3. Object code. The Software is delivered in object code only. You may not alter, merge, modify, adapt, or translate the Software, nor decompile, disassemble, reverse-engineer, or otherwise reduce the Software to a human-perceivable form, nor create derivative works or programs based on the Software.

4. Limited warranty. UTC FIRE & SECURITY warrants that for one (1) year from the date of delivery of the Licensed Product (Software Warranty Period), the functions contained in the Software will be fit for their intended purpose as described in the applicable Documentation from UTC FIRE & SECURITY, and will conform in all material respects to the specifications stated in such Documentation. UTC FIRE & SECURITY does not warrant that the operation of the Software will be uninterrupted or error-free. UTC FIRE & SECURITY does warrant that the media on which the Software is furnished will be free from defects in materials and workmanship under normal use for a period of thirty (30) days from the date of delivery (Media Warranty Period). Except as specifically provided therein, any other software and any hardware furnished with or accompanying the Software is not warranted by UTC FIRE & SECURITY. Your exclusive remedy under this limited warranty for nonconforming Software shall be repair or replacement of the Software, in the sole discretion of UTC FIRE & SECURITY. To obtain a repair or replacement of nonconforming Software, contact UTC FIRE & SECURITY Customer Service toll free at 888-437-3287 or online at [www.utcfire.com](#) during the Software Warranty Period. Your exclusive remedy under this limited warranty for defective media is replacement of the defective media. To receive replacement media under this limited warranty, return the defective media to Supplier during the Media Warranty Period, with proof of payment.

EXCEPT AS EXPRESSLY PROVIDED ABOVE, THE LICENSED PRODUCT IS PROVIDED "AS IS" WITHOUT WARRANTY OF ANY KIND, EITHER EXPRESSED OR IMPLIED, INCLUDING, BUT NOT LIMITED TO, IMPLIED WARRANTIES OF MERCHANTABILITY OR FITNESS FOR A PARTICULAR PURPOSE AND, EXCEPT AS EXPRESSLY PROVIDED ABOVE, YOU ASSUME THE ENTIRE RISK AS TO THE QUALITY AND PERFORMANCE OF THE LICENSED PRODUCT.

5. Limitation of liability. UTC FIRE & SECURITY'S SOLE OBLIGATION OR LIABILITY UNDER THIS AGREEMENT IS THE REPAIR OR REPLACEMENT OF NONCONFORMING SOFTWARE AND/OR DEFECTIVE MEDIA ACCORDING TO THE LIMITED WARRANTY ABOVE. IN NO EVENT WILL UTC FIRE & SECURITY BE LIABLE FOR ANY DAMAGES, WHETHER CONSEQUENTIAL, INCIDENTAL, OR INDIRECT, NOR FOR ANY LOSS OF DATA, LOSS OF PROFITS, OR LOST SAVINGS, ARISING OUT OF USE OF OR INABILITY TO USE THE SOFTWARE OR DOCUMENTATION (OR ANY HARDWARE FURNISHED WITH THE SOFTWARE), EVEN IF UTC FIRE & SECURITY HAS BEEN ADVISED OF THE POSSIBILITY OF SUCH DAMAGES, NOR FOR ANY CLAIM BY ANY THIRD PARTY.

6. General. Any hardware provided to You by UTC FIRE & SECURITY shall not be exported or reexported in violation of any export provisions of the United States or any other applicable jurisdiction. Any attempt to sublicense, assign, or transfer any of the rights, duties, or obligations hereunder shall be void. This Agreement shall be governed by and interpreted under the laws of the State of New York, United States of America, without regard to conflicts of law provisions. You hereby consent to the exclusive jurisdiction of the state and federal courts located in Multnomah County, Oregon, to resolve any disputes arising under or in connection with this Agreement, with venue in Portland, Oregon.

Restricted rights legend. The Licensed Product is provided with RESTRICTED RIGHTS. In the event the United States Government or an agency thereof is granted a license, the following additional terms apply: Restricted Computer Software, as defined in the Commercial Computer Software–Restricted Rights clause at Federal Acquisition Regulations 52.227-19, and the restrictions as provided in subparagraphs (c)(1) and (c)(2) thereof; and as applicable, the Government’s rights to use, modify, reproduce, release, perform, display, or disclose the Software also are restricted as provided by paragraphs (b)(2) and (b)(3) of the Rights in Noncommercial Technical Data and Computer Software–Small Business Innovative Research (SBIR) Program clause at DFARS 252.227-7018.

YOU ACKNOWLEDGE THAT YOU HAVE READ AND UNDERSTAND THIS AGREEMENT AND AGREE TO BE BOUND BY ITS TERMS. YOU FURTHER AGREE THAT THIS AGREEMENT IS THE COMPLETE AND EXCLUSIVE STATEMENT OF THE AGREEMENT BETWEEN YOU AND UTC FIRE & SECURITY, AND SUPERSEDES ANY PROPOSAL OR PRIOR AGREEMENT, ORAL OR WRITTEN, AND ANY OTHER COMMUNICATION RELATING TO THE SUBJECT MATTER OF THIS AGREEMENT.

Intended use Use this product only for the purpose it was designed for; refer to the data sheet and user documentation. For the latest product information, contact your local supplier or visit us online at [www.utcfire.com](#)

FCC compliance This device complies with Part 15 of the FCC Rules. Operation is subject to the following conditions:

1. This device may not cause harmful interference.
2. This device must accept any interference received, including interference that may cause undesired operation.

Changes or modifications not expressly approved by the party responsible for compliance could void the user’s authority to operate the equipment.

Note: In order to maintain compliance with FCC Class B rules, shielded cable must be used (Belden 8723 or equivalent).

Contents

Preface	vii
Conventions used in this document	vii
Safety terms and symbols	vii
Product overview	1
Product contents	1
References and related documentation	1
Installation	2
LEDs	5
DIP switches	5
Zone numbering	6
Wiring	7
System bus connections	8
Shielded cable routing	9
Auxiliary power supply connections	9
DGP connections	10
Alarm input wiring	12
Battery capacity	13
Battery calculation worksheet	15
Formulas	16
Absolute maximum loads	16
Specifications	17
External terminals	17
Contacting technical support	18
Online publication library	18

Preface

This is the *AL-1205 Data Gathering Panel Installation Manual*. This document includes an overview of the product and detailed instructions explaining:

- how to install; and
- how to wire the units.

There is also information describing how to contact technical support if you have questions or concerns.

To use this document effectively, you should have the following minimum qualifications:

- a basic knowledge of Alliance systems; and
- a basic knowledge of electrical wiring and low-voltage electrical connections.

Read these instructions and all ancillary documentation entirely **before** installing or operating this product. The most current versions of this and related documentation may be found on our website. Refer to [Online publication library](#) on page 18 for instructions on accessing our online publication library.

Note: A qualified service person, complying with all applicable codes, should perform all required hardware installation.

Conventions used in this document

The following conventions are used in this document:

Bold	Menu items and buttons.
<i>Italic</i>	Emphasis of an instruction or point; special terms.
	File names, path names, windows, panes, tabs, fields, variables, and other GUI elements.
	Titles of books and various documents.
<i>Blue italic</i>	(Electronic version.) Hyperlinks to cross-references, related topics, and URL addresses.
R~^~b*á´æÃ	Text that displays on the computer screen.
	Programming or coding sequences.

Safety terms and symbols

These terms may appear in this manual:



CAUTION: *Cautions* identify conditions or practices that may result in damage to the equipment or other property.



WARNING: *Warnings* identify conditions or practices that could result in equipment damage or serious personal injury.

Product overview

The Alliance AL-1205 is a standard Data Gathering Panel (DGP) that through RS485 communication to an Alliance system control panel, remotely increases the number of intrusion zones and relays. It includes 8 zones and can be expanded to accommodate up to 32 zones and 16 relays. It also includes a siren output and auxiliary power for external devices.

Product contents

The DGP ships with the following:

- DGP board.
- Two-position and three-position terminal blocks that can be combined to provide a variety of terminal block configurations.
- Clip-in and screw-in standoffs.
- Mounting screws.
- Battery wires.

Inspect the package and contents for visible damage. If any components are damaged or missing, do not use the unit; contact the supplier immediately. If you need to return the unit, you must ship it in the original box.

References and related documentation

- *Alliance System Programming Manual*

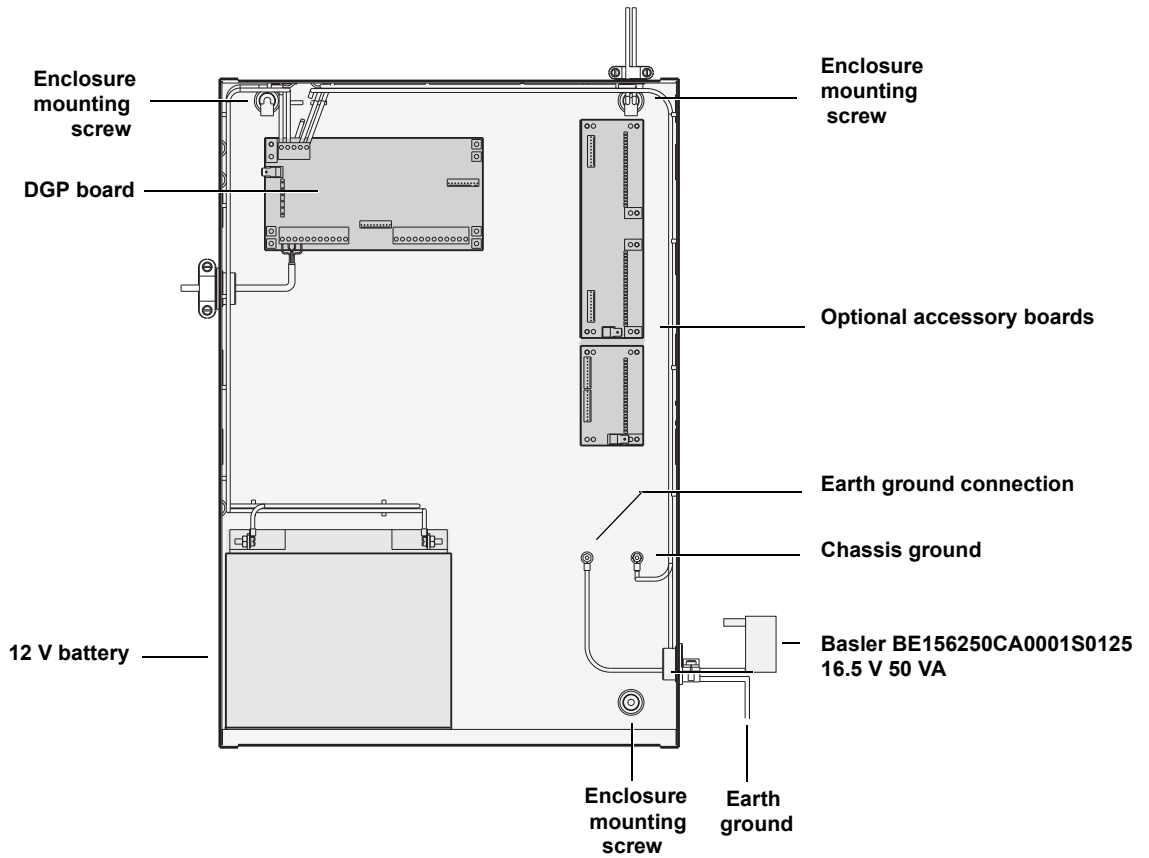
Installation

To install the DGP, do the following:

1. Mount the enclosure. A suitable location includes easy access for wiring, good lighting, suitable access to power and earth ground, and ample space to work. The mounting surface should be flat and dry. We do not recommend mounting metal enclosures directly onto concrete walls. Check with local authorities to verify local codes regarding metal enclosure mounting.

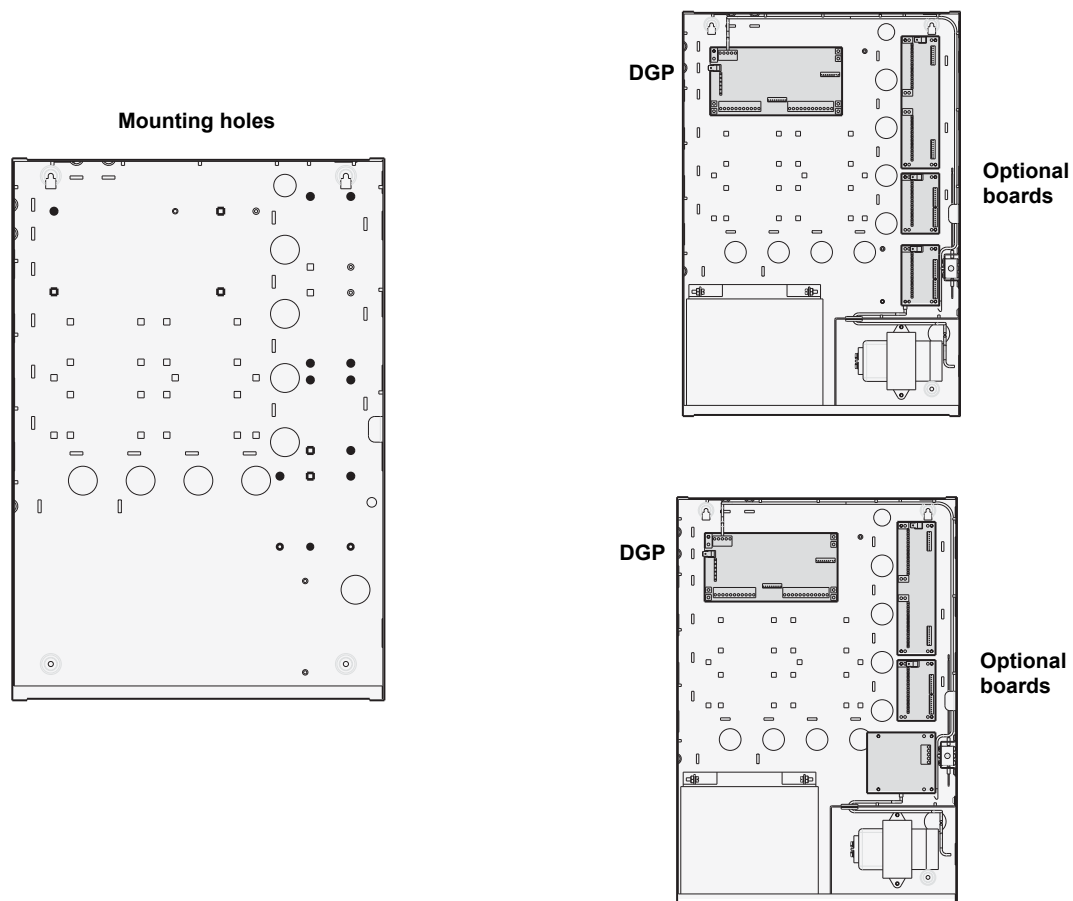
All Alliance system enclosures contain four mounting holes located in the corners of the enclosure. Use appropriate mounting hardware to mount the enclosure to the mounting surface and the batteries to the enclosure as shown in *Figure 1*.

Figure 1. Enclosure



2. Install the standoffs. Before you install the DGP board, configure the appropriate standoffs. Use male/female standoffs where threaded holes are aligned with the mounting holes on the board and use clip-in standoffs where square holes are aligned with the mounting holes (*Figure 2*)

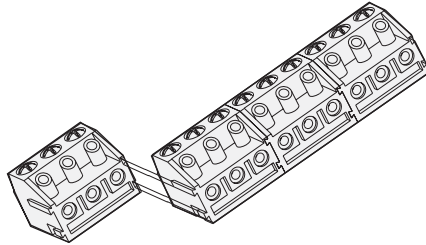
Figure 2. Standoff layouts



3. Install the transformer. Use two 6/32 x 1/4 in. screws to mount the transformer in the enclosure. Install the rubber grommet into the transformer shield and mount it to the enclosure using four 6/32 x 1/4 in. screws provided with the transformer (*Figure 1* on page 2).
4. It is important that you provide the proper grounding to the enclosure. Use two male/female standoffs to secure both the earth ground and enclosure ground wires (*Figure 1* on page 2). When securing the ground wires, use the internal tooth star washers provided with the enclosure between the standoff and the wire connector. All connections should be tight and make a good electrical connection.
5. Install the tamper switch. Assemble the tamper switch (use the instructions provided with the tamper switch). Use the three 6/32 x 1/4 in. screws provided to mount the tamper switch.

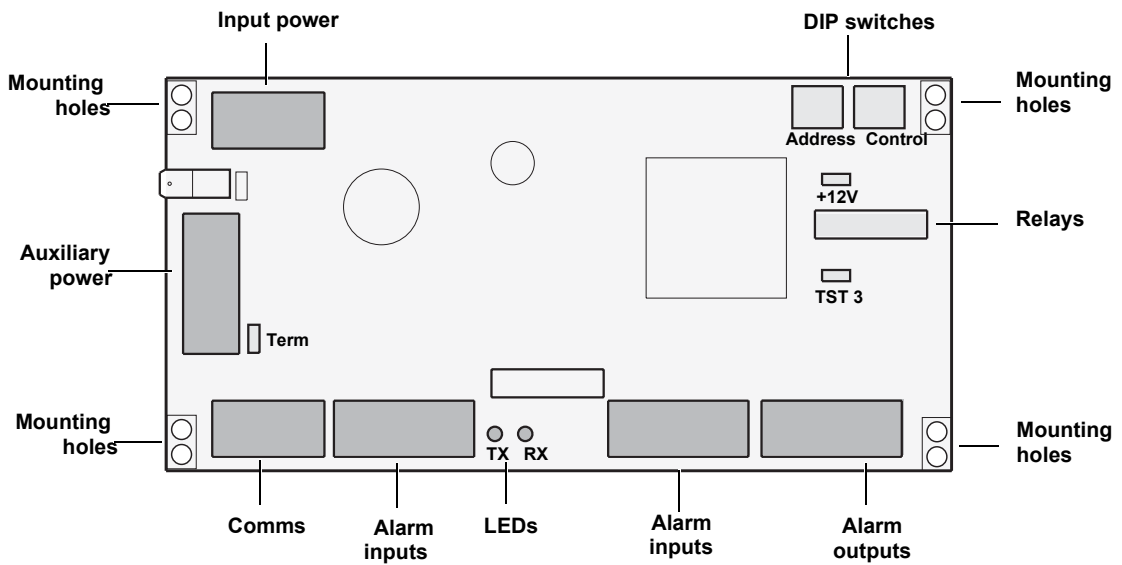
- Slide the DGP board's terminal blocks together as shown in *Figure 3* and mount them to the board.

Figure 3. Terminal block assembly



- Use four 6/32 x 1/4 in. screws with internal star washers to mount the board (*Figure 4*) in the enclosure (*Figure 2* on page 3). To ensure proper grounding, tighten screws securely.

Figure 4. AL-1205 board



LEDs

Figure 4 on page 4 shows the following LEDs located on the DGP board:

- RX.** LED flashes to indicate polling data is being received on the system databus from the control panel. If the LED does not flash, the control panel is not operational or the databus is faulty (usually cabling).
- TX.** LED flashes to indicate the DGP is replying to polling from the control panel. If the RX LED flashes, but the TX LED does not, the DGP is not programmed to be polled in the control panel or is not addressed correctly.

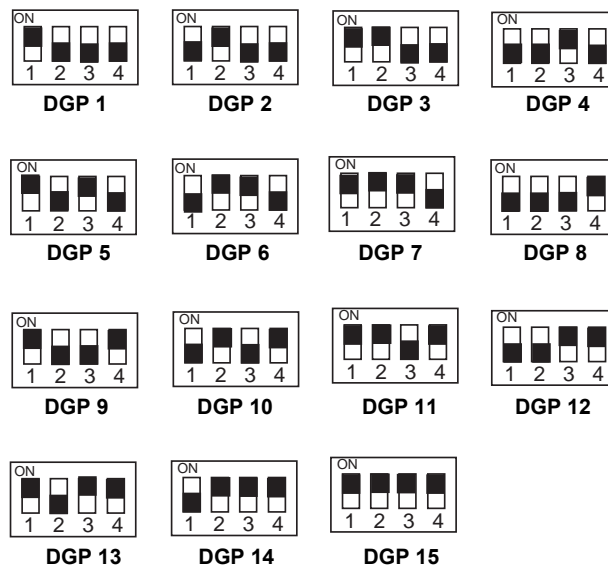
DIP switches

There are address and mode DIP switches on the DGP board (Figure 4 on page 4).

Address DIP switches

The address DIP switches (1 to 4) are used to identify this DGP to the control panel (assign the DGP address). Figure 5 shows the DIP switch settings for the possible DGP addresses.

Figure 5. DGP address DIP switch settings



Control DIP switches

- A.** On = DGP has two or three zone expanders connected.
Off = DGP has only one or no zone expanders connected.
- B.** On = DGP has an 8-way relay card or 16-way relay open collector card connected.
Off = DGP does not have an 8-way relay card or 16-way relay open collector card connected.
- C, D.** Not used.

Zone numbering

All DGP zone inputs and outputs are numbered according to a set formula. This formula determines the number/location of DGPs and outputs for programming.

Table 1 shows the zone/outputs allocated to each DGP address in the system.

Table 1. Allocated zones/outputs

DGP number	Zones/outputs		DGP number	Zones/outputs
Control panel	1 to 16		DGP 8	129 to 144
DGP 1	17 to 32		DGP 9	145 to 160
DGP 2	33 to 48		DGP 10	161 to 176
DGP 3	49 to 64		DGP 11	177 to 192
DGP 4	65 to 80		DGP 12	193 to 208
DGP 5	81 to 96		DGP 13	209 to 224
DGP 6	97 to 112		DGP 14	225 to 240
DGP 7	113 to 128		DGP 15	241 to 255

You can connect 8 or 16 zones to the control panel to expand the control panel to 24 or 32 zones.

A standard DGP has 4 or 8 zones. You can expand some DGPs in increments of 8 up to 32 zones.

Using the AL-1206 (8-zone input expander board) to expand the number of zones connected to the control panel or a DGP to more than 16 zones is the same as combining two DGP addresses. To maintain consistent numbering, the additional zones are taken from the next DGP address. You cannot include that DGP address for polling.

For example, if you have a 16-zone control panel with one AL-1206 connected to J17 and there is also an AL-1205 (8-zone DGP) connected to the control panel comms bus, the numbering scheme would be:

- Main control panel would have zones 1 to 16 allocated for the control panel address.
- AL-1206 would have zones 17 to 32 allocated for DGP1 address (unused zones must be disabled).
- AL-1205 would have zones 33 to 48 allocated for DGP 2 address (unused zone must be disabled).

To program the system for this configuration, do the following:

1. Set the address DIP switch on the AL-1205 for DGP 2.
2. In *Installer Programming* menu, go to *Option 4, DGP database*. Poll DGP 2 and set DGP type to standard. Do not poll DGP 1 because the allocated zones for DGP 1 are allocated to the AL-1206.
3. In *Installer Programming* menu, go to *Option 1, Zone database*. Select the proper zone type, area, and central station. You must set zone numbers 25 to 32 to zone type 0 (disabled) since these zones are not used.

Note: Zone expansion bit must be set in System Option menu (refer to your control panel documentation for programming details).

Wiring

Keep all panel wiring well away from other wiring. Avoid parallel wire runs with other wires. Where parallel wire are unavoidable, keep wires a minimum of 2 in. (5 cm) apart or in EMT. We recommend that you wire Alliance system components that use direct wire transformers into a dedicated circuit breaker and you plug those that use plug-in transformers into an unswitched outlet.



WARNING: Each control panel or device mounted in a metal enclosure, must have its enclosure connected to earth ground. Correct earth ground procedure must be followed.

To correctly earth ground your application, follow these procedures:

One enclosure with several devices. All devices designed for the system have chassis ground connections via metal studs to the metal enclosure. Take care that these metal studs make good connections to the enclosure (beware of paint). The earth connection of every piece of equipment in the system can be used for connecting the shielding of shielded cables. If a device, such as a keypad, is placed in a plastic enclosure, the earth lug of the device does not have to be connected.

Panels in a single building. If several enclosures or devices are connected to earth ground in one building, the safety earth ground of this building has to be checked by a licensed contractor.

Panels in multiple buildings. If the wiring extends to separated buildings, more than one common earth ground system will be used. Use isolator/repeaters to isolate the system bus. In this way the system is protected against variations in earth potential.

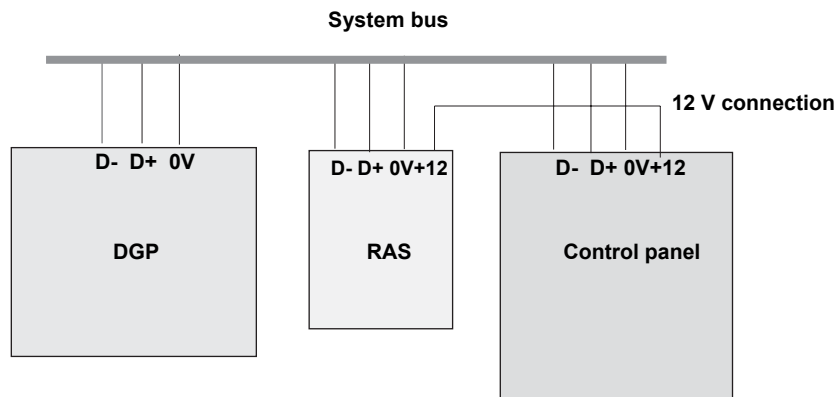
System bus connections

Connect DGP devices to the system bus to provide extra zones and remote arming stations (RAS) to the Alliance system control panel. Remote devices can be up to 5,000 ft. (1.5 km) from an Alliance system control panel. DGP and RAS devices must be connected via a 2-pair twisted, shielded data cable (we recommend Beldon 8723) from the system bus connection. Connect the shield of the data cable to earth at the Alliance control panel and leave it disconnected at any other end. Where the distance between the arming station and the nearest device is more than 328 ft. (100 m), use a separate power supply to power the arming station. To power the arming station do not connect the (+) from the system bus, connect the (+) of the local power supply to the (+) on the arming station and connect the (0 V) from the power supply and (0 V) from the system bus to the arming station (-) terminal.

Note: The first and last devices on the system bus must be terminated. All other devices on the system bus must not be terminated.

Figure 6 shows the system bus connection.

Figure 6. System bus connection

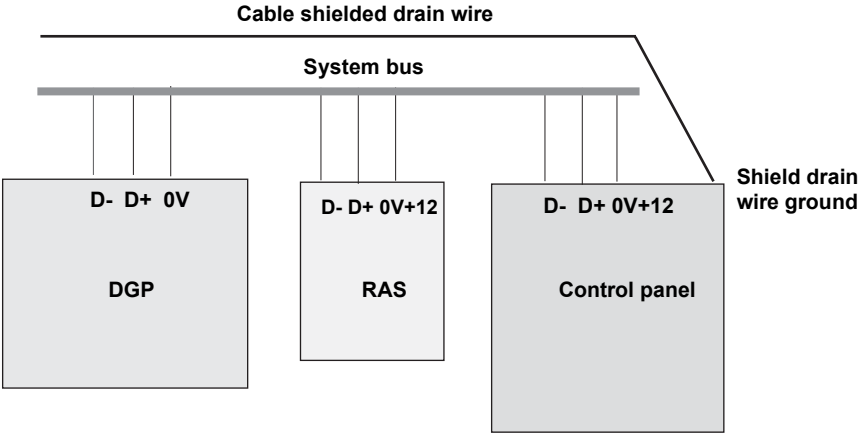


Shielded cable routing

Connect the shielding of all shielded cables used in the system at one side to one common earthing point in a building. If a shielded bus cable is routed via more than one plastic device, you must connect the shielding from in-coming and out-going cable (*Figure 7*).

Note: Metal chassis must be earth grounded. Splice shield drain wire at all junctions.

Figure 7. Shielded cable routing

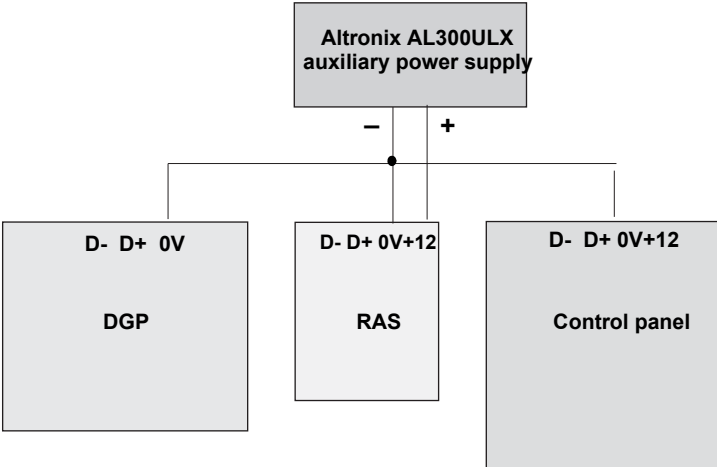


Auxiliary power supply connections

In systems where expansion module power is not supplied by the main control panel or an AC-powered DGP with auxiliary outputs, you must use a UL Listed power supply suitable for burglar alarm applications, such as the Altronix300ULX (*Figure 8*).

Note: Tie all 0V terminals together. Do not connect the +12 terminals together.

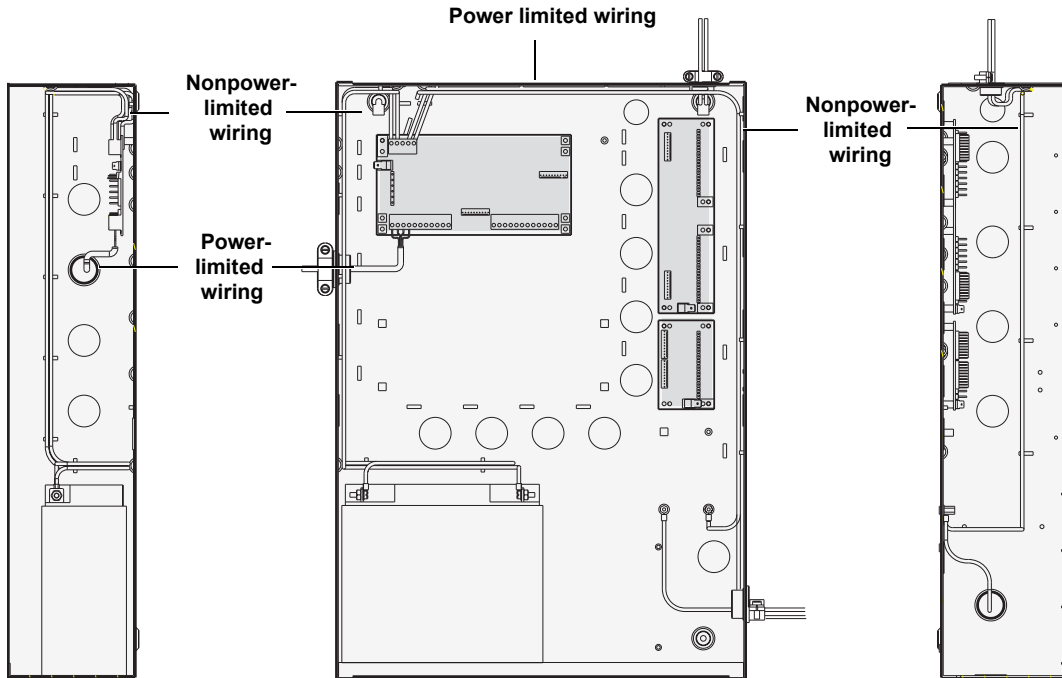
Figure 8. Auxiliary power supply connections



DGP connections

Keep nonpower-limited wiring away (1/4 in. minimum) from power-limited wiring (*Figure 9*). Disconnect the AC power via a dedicated circuit breaker before servicing.

Figure 9. Power and nonpower wiring



Wiring connections

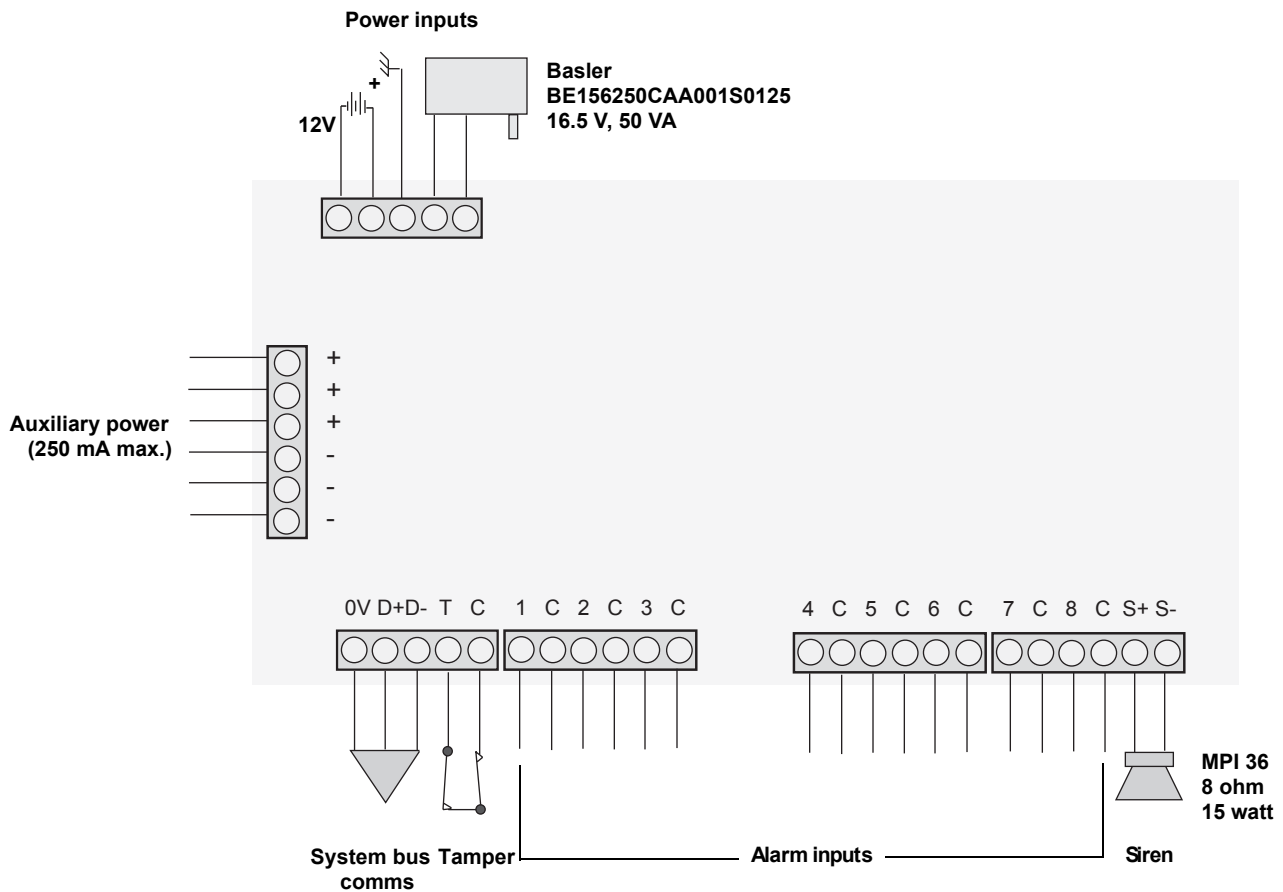
Figure 10 shows the wiring connections on the DGP board. See [Battery capacity](#) on page 13 for the appropriate battery type and proper battery amp hour rating.

If no bell or siren is used, you must install a 1k resistor across the siren output (output must not exceed 1 amp).

Do not short circuit the power inputs. Do not plug the power into an outlet controlled by a switch.

Note: To maintain compliance with UL 365, UL 609, and UL 1610, the DGP must be installed within a complete safe or vault or an Extent #1 stockroom.

Figure 10. Controller wiring connections

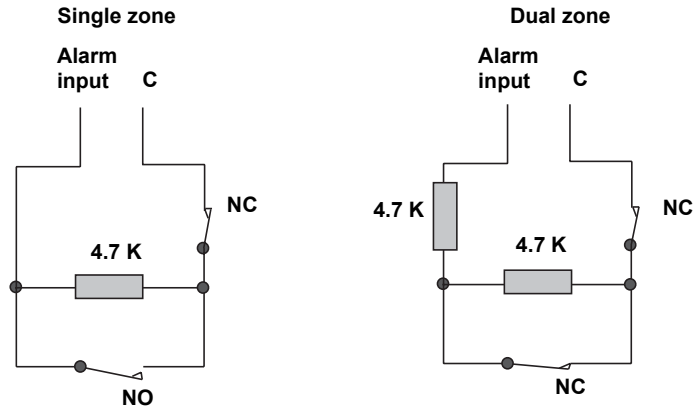


Alarm input wiring

Figure 11 shows single-zone and dual-zone alarm input wiring.

Note: Dual-zone alarm input wiring is not acceptable for UL 365, UL 609, and UL 1610 compliance.

Figure 11. Alarm input wiring



Battery capacity

You must do the battery capacity calculations separately for each part of the system that has a separate power supply and standby battery. See [Battery calculation worksheet](#) on page 15 for a sample worksheet. To determine the correct battery capacities for you system, do the following:

1. Determine the exact configuration of your system.
2. Use a separate battery calculation worksheet for each part of your system that has a separate power supply and standby battery:
 - a. In the top row of the worksheet, list the primary component (control panel or expansion module) that is powered by the standby battery. Expansion modules include zone expander modules, relay modules, keypads, and card readers.
 - b. Add rows for all expansion modules or other devices that are powered by the primary component on that worksheet.
 - c. Add rows for any type of notification appliance that is connected to corresponding circuits on the primary component on that worksheet. Include rows for auxiliary power circuits that have attached devices.
3. Starting with the first worksheet, repeat the following procedures for each worksheet.
 - a. In the row for the primary component, enter the current listed for that device in the *Total standby current* column. For the DGP worksheet, this value is 200mA.
 - b. In rows for any expansion modules, enter the operating current for the module in the *Standby current* column. Multiply the value in the *Standby current* column by the attached quantity of modules of that type. Enter the result in the same row in the *Total standby current* column. If any row contains AL-1191 or AL-1193 card readers, enter 80 mA in the *Active current* column for that row. Multiply any value in the *Active current* column by the number of attached card readers and enter the result in the same row in the *Total active current* column.
 - c. In each notification appliance row, enter the alarm current drawn by a single device in the *Alarm current per device* column. Multiply the value in the *Alarm current per device* column by the number of devices used on that circuit for each row. Enter the result in the same row in the *Total alarm current* column.
 - d. In rows listing devices that are attached to auxiliary power terminals of the primary component, enter the operating current for each device in the *Standby current per device* column. Multiply the value in the *Standby current per device* column by the number of devices attached to that auxiliary power circuit and enter the result in the same row in the *Total standby current* column.
 - e. At the bottom of each worksheet, total the values in the *Total standby current* column, the *Total alarm current* column, and the *Total active current* column.

4. Do the following calculations for each worksheet:

Formula 1. Transfer the total value at the bottom of the *Total standby* current column to the first blank in Formula 1. Enter the *required number of hours in standby* in the corresponding blank, and do the indicated calculation. The result is the standby amp-hours your system requires. The value for *required number of hours in standby* varies by locale. Check with the proper authority having jurisdiction to determine your requirements.

Formula 2. Transfer the total value at the bottom of the *Total alarm current* column to the first blank in Formula 2. Enter the *required number of minutes in alarm* in the corresponding blank, and do the indicated calculation. The result is the alarm amp-hours your system requires. The value for *required number of minutes in alarm* varies by locale. Check with the proper authority having jurisdiction to determine your requirements.

Formula 3. Transfer the total value at the bottom of the *Total active current* column to the first blank in Formula 3. To calculate the *required number of seconds active* value, multiply the number of times a card is typically passed by a card reader each hour, times the number of card readers, times 5 seconds. For a medium traffic area, 12 access per hour is a commonly used value (5 seconds per access).

Formula 4. Carry the calculated values from Formulas 1, 2, and 3 to the corresponding blanks in Formula 4. Do the calculation to find the minimum battery capacity requirement for your system.

Formula 5. Due to natural aging effects on batteries over time, temperature cycles, and varying levels of discharge, a derating factor is applied to compensate for these variables. Consult the battery manufacturer data sheets for the appropriate derating factor. Formula 5 shows how to apply a typical derating factor of 1.15 to the minimum battery capacity requirement to determine the actual battery capacity requirement. The batteries selected for the control panel and for any separately powered expansion modules, must have a capacity rating that is equal to or greater than the actual battery capacity requirement.

The system may require two batteries. Each battery must individually meet the actual battery capacity requirement. Do not mix batteries of different types.

Table 2 shows an example of a battery calculation using Formulas 1 to 5 based on 1 card activation of 15 seconds every 5 minutes for 72 hours.

Table 2. Battery calculation example

Formula	Calculation	Result
1	Total standby current x Conversion factor x Required hours in standby 225 mA x .001Amp/mA x 72 hours	Ah standby Amp-hours: 16.2
2	Total alarm current x Conversion factor x Required minutes in alarm x Conversion factor 1000 mA x .001Amp/mA x 15 minutes x .0167 hours/min.	Ah alarm Amp-hours: .2505
3	Total active current x Conversion factor x Required seconds active x Conversion factor 80 mA x .001Amp/mA x 12960 seconds x .000278 hours/sec.	Ah active Amp-hours: .288
4	Standby Amp-hours + Alarm Amp-hours + Active Amp-hours 16.2 + .2505 + .288	Minimum battery power required: 16.74 Ah
5	Minimum battery power required x Battery capacity derating coefficient 16.74 x 1.15	Total standby battery required: 19.2 Ah

Battery calculation worksheet

Table 3. Battery calculation worksheet

Alliance components	Standby current	Total standby current	Alarm current per device	Total alarm current	Active current	Total active current
AL-4017		200 mA				
Aux power		300 mA				
Ext siren			1000 mA			
Int siren			1000 mA			
Strobe			1000 mA			
AL-4617		200 mA				
Aux power		3000 mA				
Ext siren			1000 mA			
Int siren			1000 mA			
Strobe			1000 mA			
Comms bus		1000 mA				
AL-11XX	120 mA					
AL-1170	45 mA					
AL-1191	25 mA				80 mA	
AL-1193	25 mA				80 mA	
AL-1205		75 mA				
Aux power		250 mA				
Siren			1000 mA			
AL-1206	25 mA					
AL-1210	53 mA					
AL-1220	53 mA					
AL-1255		275 mA				
Aux power		1000 mA				
Siren			1000 mA			
AL-1256/1265		275 mA				
Aux power		3000 mA				
Siren			1000 mA			
AL-1801	80 mA					
AL-1810	100 mA					
AL-1811	200 mA					
AL-1830	5 mA					
AL-1832	15 mA					
Total current requirements						

Formulas

Table 4 provides the formulas to calculate battery requirements.

Table 4. Battery calculation formulas

Formula	Calculation	Result
1	Total standby current x Conversion factor x Required hours in standby $\text{_____ mA} \times .001\text{Amp/mA} \times \text{_____ hours}$	Ah standby Amp-hours _____
2	Total alarm current x Conversion factor x Required minutes in alarm x Conversion factor $\text{_____ mA} \times .001\text{Amp/mA} \times \text{_____ minutes} \times .0167 \text{ hours/min.}$	Ah alarm Amp-hours _____
3	Total active current x Conversion factor x Required seconds active x Conversion factor $\text{_____ mA} \times .001\text{Amp/mA} \times \text{_____ seconds} \times .000278 \text{ hours/sec.}$	Ah active Amp-hours _____
4	Standby Amp-hours + Alarm Amp-hours + Active Amp-hours $\text{_____} + \text{_____} + \text{_____}$	Minimum battery power required _____ Ah
5	Minimum battery power required x Battery capacity derating coefficient $\text{_____} \times 1.15$	Total standby battery required _____ Ah

Absolute maximum loads

Table 5 shows the maximum continuous loads that can be supported by two 17.2 Ah batteries or one 17.2 Ah battery. If the total standby current exceeds those listed in the table, you do not meet 24/72-hour standby requirements. Other battery sizes are possible, but two 17.2 Ah batteries are the maximum battery size supported. If your standby time is different, you can use the calculations in *Formulas* to calculate the total standby battery power required. If the answer exceeds the battery size you have chosen, you must install appropriate batteries or adjust the system configuration to meet the battery power requirements.

Table 5. Absolute maximum loads

Required batteries	Maximum continuous load for 24/72 hr. standby with 15 min. alarm and 1 active card read/5 min.			
	24-hour		72-hour	
Two 17.2 Ah	Maximum total 750 mA	Maximum aux 500 mA	Maximum total 225 mA	Maximum aux 100 mA
One 17.2 Ah	Maximum total 500 mA	Maximum aux 300 mA	—	—

Specifications

Auxiliary power output current	300 mA
Current consumption	75 mA maximum
Housing dimensions	21 x 14.5 x 4.5 in. (533 x 368 x 114 mm)
Operating temperature	32 to 122°F (0 to 50°C)
Humidity	95% noncondensing
Listings	UL 294, Standard for Access Control System Units UL 365, Standard for Police Station Connected Burglar Alarm Units and Systems UL 609, Standard for Local Burglar Alarm Units and Systems UL 1610, Standard for Central-Station Burglar-Alarm Units UL 1635, Standard for Digital Alarm Communicator System Units

External terminals

Terminal	Description	Min.	Typ	Max	Unit
POWER	Secondary AC transformer connection		16.5	2.1	VAC A
BATT	Battery connection Battery charge Battery AH rating	9	12	14 1 12	VDC A AH
AUX, POWER	Auxiliary power	9	13.8	14 300	VDC mA
SIREN	Siren	9	13.8	14 1	VDC A

Contacting technical support

For assistance installing, operating, maintaining, and troubleshooting this product, refer to this document and any other documentation provided. If you still have questions, you may contact technical support during normal business hours (Monday through Friday, excluding holidays, between 5 a.m. and 5 p.m. Pacific Time).

Table 6. Sales and support contact information

	Sales	Technical support
Phone:	Toll-free: 888.437.3287 in the US, including Alaska and Hawaii; Puerto Rico; Canada). Outside the toll-free area: 503.885.5700.	
E-mail	info@utcfireandsecurity.com	generaltech@utcfireandsecurity.com
Fax	800.483.2495	541.752.9096 (available 24 hours a day)

Note: Be ready at the equipment before calling for technical support.

Online publication library

Another great resource for assistance with your UTC Fire & Security products is our online publication library, available to all of our customers on our website. To access our publication library, go to our website at the following location:

<http://www.utcfireandsecurity.com>

In the **Tools** area at the top, click the [Publication Library](#) link. After you register and log on, you may search through our online library for the documentation you need.¹

1. Many UTC Fire & Security documents are provided as PDFs (portable document format). To read these documents, you will need Adobe Acrobat Reader, which can be downloaded free from Adobe's website at www.adobe.com.