

IP Open Standards Cameras

Standard Resolution, 1.3MPx, 2MPx, 3MPx and 5MPx IP Dome Cameras



OVERVIEW

The TruVision™ IP and IP Megapixel Open Standards dome cameras bring state-of-the-art, high-definition pictures to the mass video surveillance market. With a wide variety of camera resolutions ranging from standard resolution through 5 megapixel, these IP cameras represent a flexible video surveillance device to meet any need. Equipped with advanced technology and signal processing capability, they effectively capture video under challenging conditions.

TruVision cameras utilize H.264 compression technology with dual-streaming capability, making it easy to manage the camera's bandwidth usage. These cameras were designed to adhere to PSIA and ONVIF open communication standards, and also support a CGI command set for simple integration into any IP system. Video streams can be set for high and low bandwidth and images can be streamed for live viewing or sent to a designated recording location.

Featuring an integrated browser and available SDHC memory card storage capabilities, TruVision IP and IP Megapixel cameras simplify remote, live monitoring/playback of edge-recorded video and audio. Recording on the memory card provides a level of redundancy in case of unforeseen network disruptions.

Select cameras also feature bi-directional audio and alarm inputs and outputs. Privacy masking conceals sensitive scenes and safeguards confidential areas from being observed during live view and recorded on the video file.

STANDARD FEATURES

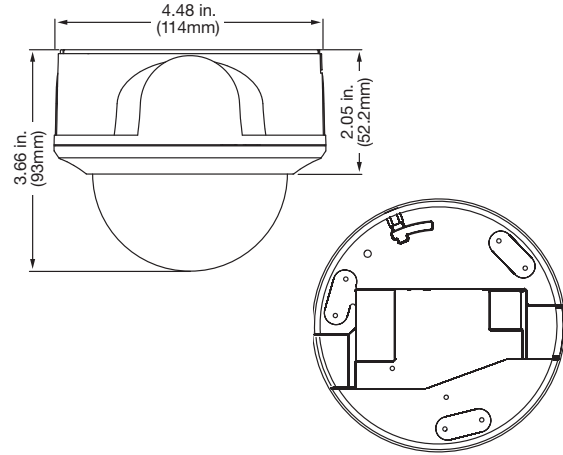
- Range of resolutions including Standard, 1.3MPx, 2MPx, 3MPx and 5MPx imagers
- Designed to PSIA and ONVIF open standards
- Select models feature real-time video streaming up to 1080p resolution to capture every detail
- H.264 compression technology with dual-streaming capability accommodates multiple settings
- Edge recording supports up to 32GB SDHC card for audio/video playback
- Available models with true Day/Night functionality and infrared illuminators to capture images in various lighting scenarios
- Integrated motion detection and privacy masking
- Alarm inputs and outputs provide easy notification and control of events
- Browser-supported mono and bi-directional audio to expand IP stream to include audio
- Vandal-resistant housings and polycarbonate bubbles provide an extra level of protection
- Domes feature external analog BNC video out connection for easier installation and setup
- Unique wedge models offer a compact weather-rated option for fast deployment
- Included TruVision Device Finder program provides fast and easy access to newly added system devices

Application

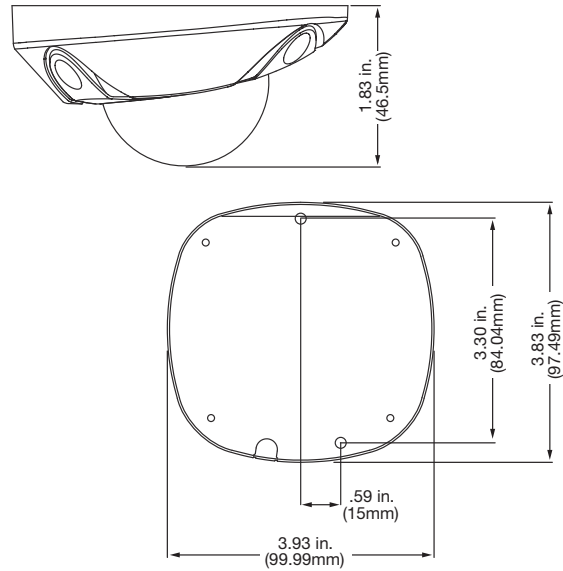
Delivering detailed images in a variety of environments that need it most, TruVision™ IP and IP Megapixel cameras are specifically designed for applications that require high-quality IP images. When paired with IP devices, these cameras provide ideal surveillance for environments such as retail, banking, airports or gaming where detailed image capture is critical for effectively monitoring people and transactions.

Dimensional Diagrams

Indoor Vandal Dome

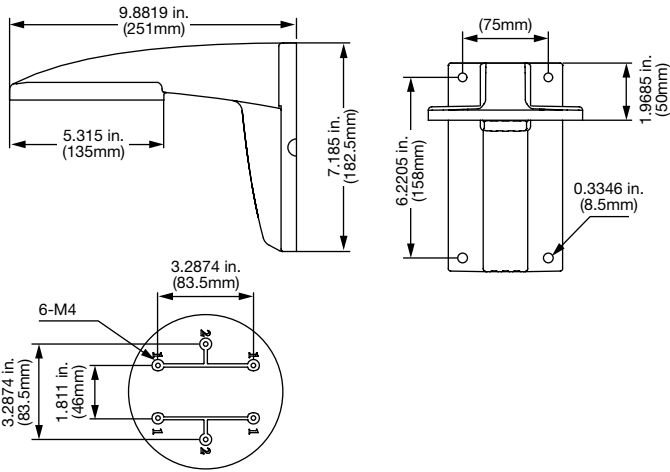


Low-Profile Mini Vandal Dome

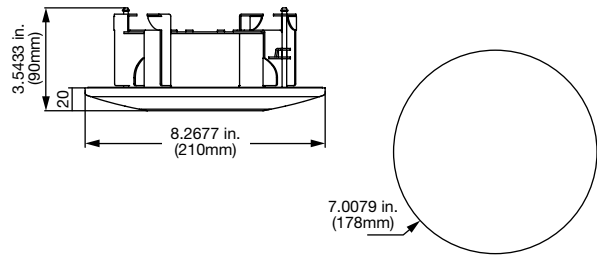


Accessories

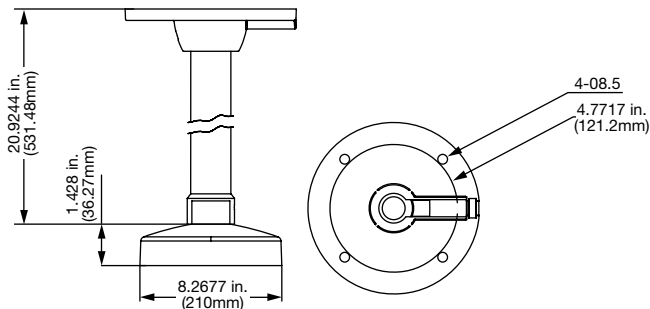
TVD-M2-WM Indoor Dome Wall Mount



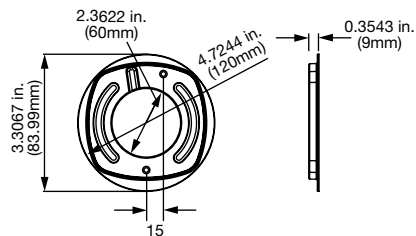
TVD-M2-FM Indoor Dome Flush Mount











TVD-M2-PNDT Indoor Dome Pendant Mount



TVD-M2-WEBM Indoor Wedge Electrical Box Adaptor



Specifications

	PART NO.	TVD-N210V-2-N	TVD-N245V-2-N	TVD-M1210V-2-N TVD-M1225V-2-N	TVD-M2210V-2-N TVD-M2215V-2-N	TVD-M3210V-2-N TVD-M3215V-2-N	TVD-M5225V-4-N	TVD-N210W-4	TVD-M2210W-4	
	Description									
Camera	Sensor	1/4" Progressive Scan CMOS	1/3" WDR CCD	1.3 MPx 1/3" Progressive Scan CCD	2.0 MPx 1/3" Progressive Scan CMOS	3MPx 1/2.5" Progressive Scan CMOS	5.0 MPx 1/2.5" Progressive Scan CMOS	1/4" Progressive Scan CMOS	2MPx 1/4" Progressive Scan CMOS	
	Day/Night	Digital D/N	Motorized IR Cut Filter	Digital D/N Motorized IR Cut Filter	Digital D/N Motorized IR Cut Filter	Digital D/N Motorized IR Cut Filter	Motorized IR Cut Filter	Digital D/N	Digital D/N	
	IR LEDs (Range)	N/A	Yes (10m)	N/A Yes (10m)	N/A Yes (10m)	N/A Yes (10m)	Yes (10m)	N/A	N/A	
	IP Compression/Standard	H.264 PSIA/ONVIF								
	Maximum Resolution (@ fps)	640 x 480 (30 fps)	704 x 480 (30 fps)	1280 x 960 (15 fps)	1600 x 1200 (15 fps)	2048 x 1536 (15 fps)	2560 x 1920 (15 fps)	640 x 480 (30 fps)	1600 x 1200 (15 fps)	
	Maximum Real-Time Resolution (@ FPS)	640 x 480 (30 fps)	704 x 480 (30 fps)	1280 x 720 (30 fps)	1280 x 720 (30 fps)	1920 x 1080 (30 fps)	1920 x 1080 (30 fps)	640 x 480 (30 fps)	1280 x 720 (30 fps)	
	Dual Streaming	Yes								
	Video Bit Rate	32 Kbps to 8 Mbps, adjustable								
	Sensitivity	0.03 Lux (Color)	0.35 Lux (Color) 0 Lux (IR On)	0.45 Lux (Color) 0.45 Lux (Color)/ 0 Lux (IR On)	1.5 Lux (Color) 1.5 Lux (Color)/ 0 Lux (IR On)	0.6 Lux (Color) 0.6 Lux (Color)/ 0 Lux (IR On)	0.6 Lux (Color) 0.6 Lux (Color)/ 0 Lux (IR On)	0.6 Lux (Color) 0.6 Lux (Color)/ 0 Lux (IR On)	0.15 Lux (Color)	3 Lux (Color)
	S/N Ratio	> 50 dB								
	Auto Exposure (shutter)	1/25s to 1/100,000s								
Composite Output (BNC)	NTSC, 1.0 Vp-p @ 75 ohm	NTSC, 1.0 Vp-p @ 75 ohm	NTSC, 1.0 Vp-p @ 75 ohm	NTSC, 1.0 Vp-p @ 75 ohm	NTSC, 1.0 Vp-p @ 75 ohm	NTSC, 1.0 Vp-p @ 75 ohm	NTSC, 1.0 Vp-p @ 75 ohm	N/A	N/A	
Lens	2.8-11mm, F1.4 auto iris	2.8-11mm, F1.4 auto iris	2.7-9mm, F1.4 auto iris	2.7-9mm, F1.4 auto iris	2.7-9mm, F1.4 auto iris	2.7-9mm, F1.4 auto iris	4.5-10mm, F1.6 auto iris	4mm, fixed iris	4mm, fixed iris	
Electrical	Voltage Input	12 VDC PoE (IEEE 802.3af)								
	Power Consumption	4.5 watts	5.5 watts (7.5 watts IR on)	7.5 watts 7.5 watts / (9.5 watts IR on)	4.5 watts 4.5 watts / (6.5 watts IR on)	4.5 watts 4.5 watts / (6.5 watts IR on)	5.0 watts (8.0 watts IR on)	4 watts	4 watts	
	I/O Connection	Terminal Plug RJ45						DC jack flying lead RJ45 flying lead	DC jack flying lead RJ45 flying lead	
Network	Network Protocols	TCP/IP, HTTP, DHCP, DNS, DDNS, RTP/RTCP, PPPoE, SMTP, NTP								
	Ethernet/IP	CoS 802.1 p/Q, QoS, IPv4								
	PoE IEEE	802.3af								
Local Storage	Media	SDHC (Secure locked card slot)						N/A	N/A	
	Capacity	Up to 32 GB						N/A	N/A	
Audio	Input	1 ch. 3.5 mm audio interface (2.0 - 2.4 Vp-p, 1 kOhm)						N/A	N/A	
	Output	1 ch. 3.5 mm audio interface (Line level, 600 Ohm)						N/A	N/A	
	Audio Bitrate	16Kbps						N/A	N/A	
Camera Analytics	Motion Detection	On-board 396 zones per camera								
	Privacy Masking	On-board 396 zones per camera								
Alarm	Alarm Input	2						N/A	N/A	
	Alarm Output	2 Form C alarm relay						N/A	N/A	
	I/O Connection	Terminal Plug						N/A	N/A	
Mechanical/Environmental	Dimensions	2.71 x 2.48 x 6.25 in. (69 x 63 x 158mm)						3.94 x 3.84 x 1.83 in. (100 x 98 x 47mm)		
	Weight	1.3kg (2.8bs)	1.3kg (2.8bs)	1.3kg (2.8bs)	1.3kg (2.8bs)	1.3kg (2.8bs)	1.3kg (2.8bs)	0.5kg (1.1bs)	0.5kg (1.1bs)	
	Storage Temperature	-20 to 70°C (-4 to 158°F)								
	Operating Temperature	-10°C to 60°C (14 to 140°F)								
	Environmental Rating	Indoor Vandal-Resistant						IP66 Vandal-Resistant	IP66 Vandal-Resistant	
PC Requirements	Intel-based PC	1 Ghz or faster								
	Memory	1 GB RAM								
	Operating System	Windows® XP, Vista or 7								
	CGI	Direct X 9.0 or later								
	Browser	Microsoft Internet Explorer 6.0 or later								

IP Open Standards Cameras

North America
T 855-286-8889

Asia
T 852-2907-8108

Australia
T 61-3-9239-1200

Europe
T 32-2-725-11-20

Latin America
T 561-998-6114

Standard Resolution, 1.3MPx, 2MPx, 3MPx and 5MPx IP Dome Cameras

Ordering Information

Cameras

TVD-N210V-2-N	TruVision™ VGA IP Open STD, CCD Indoor vandal dome, Digital D/N, 2.8-11mm AI, ONVIF/PSIA, NTSC, PoE/12VDC, SDHC card slot
TVD-M1210V-2-N	TruVision 1.3MPx Open STD, Progressive scan CCD Indoor vandal dome, Digital D/N, 2.7-9mm AI, ONVIF/PSIA, NTSC, PoE/12VDC, SDHC card slot
TVD-M2210V-2-N	TruVision 2.0MPx Open STD, Progressive scan CMOS Indoor vandal dome, Digital D/N, 2.7-9mm AI, ONVIF/PSIA, NTSC, PoE/12VDC, SDHC card slot
TVD-N245V-2-N	TruVision 4CIF WDR IP Open STD, CCD Indoor vandal dome, True D/N, 2.8-11MM AI, IR LED, ONVIF/PSIA, NTSC, PoE/12VDC, SDHC card slot
TVD-M1225V-2-N	TruVision 1.3MPx Open STD, Progressive scan CCD Indoor vandal dome, True D/N, 2.7-9mm AI, IR LED, ONVIF/PSIA, NTSC, PoE/12VDC, SDHC card slot
TVD-M2225V-2-N	TruVision 2.0MPx Open STD, Progressive scan CMOS Indoor vandal dome, True D/N, 2.7-9mm AI, IR LED, ONVIF/PSIA, NTSC, PoE/12VDC, SDHC card slot
TVD-M3210V-4-N	TruVision 3.0MPx Open STD, Progressive scan CMOS Indoor vandal dome, Digital D/N, 2.7-9mm AI, ONVIF/PSIA, NTSC, PoE/12VDC, SDHC card slot
TVD-M3225V-4-N	TruVision 3.0MPx Open STD, Progressive scan CMOS Indoor vandal dome, True D/N, 2.7-9mm AI, IR LED, ONVIF/PSIA, NTSC, PoE/12VDC, SDHC card slot
TVD-M5225V-4-N	TruVision 5.0MPx Open STD, Progressive scan CMOS Indoor vandal dome, True D/N, 4.5-10mm AI, IR LED, ONVIF/PSIA, NTSC, PoE/12VDC, SDHC card slot
TVD-N210W-4-N	TruVision VGA IP Open STD, Progressive scan CMOS Low-profile mini vandal dome camera, Elec D/N, 4mm fixed, ONVIF/PSIA, PoE/12VDC, IP66
TVD-M2210W-4-N	TruVision 2.0MPx Open STD, Progressive scan CMOS Low-profile mini vandal dome camera, Elec D/N, 4mm fixed, ONVIF/PSIA, PoE/12VDC, IP66

Accessories

TVD-M2-PNDT	TruVision Indoor Pendant Mount for TruVision Open STD Series dome cameras
TVD-M2-WEBM	TruVision Electrical Box Adapter for TruVision Open STD Low-Profile mini dome cameras
TVD-M2-WM	TruVision Indoor Wall Mount for TruVision Open STD Series dome cameras
TVD-M2-FM	TruVision Indoor Flush Mount for TruVision Open STD Series dome cameras

Specifications subject to change without notice.

© 2011 Interlogix, A UTC Fire & Security Company
All rights reserved.

110-3468 2011/11 (67834A)



interlogix.com
utcfireandsecurity.com