



## Overview

GE's Ethernet-over-Coax media converter is now IFS. This media converter is a high-performance module that combines two well-proven technologies—Ethernet and VDSL— providing a cost-effective solution for utilizing an existing coax cable infrastructure when migrating from analog to an Ethernet/IP system.

This module must be used in pairs and provides plug-and-play installation. The one box design allows for easy set-up as either a client-side (CPE) or central-side (CO) operating device. The module is IEEE 802.3 compliant and supports multiple network protocols. In addition, the module provides on-board feature-rich diagnostic LEDs and can be used with either 50 or 75 ohm coax.

The IFS Ethernet-over-Coax media converter can extend Ethernet transmission up to 1.6km depending on bandwidth requirements and quality of the coaxial cable used. Also, depending on distance and bandwidth, these modules can send data from multiple IP devices when used along with a network switch. These modules can be used for applications such as IP cameras, IP access control, IP intercom, or any Ethernet data transmission.

# MCE-Coax Ethernet Over Coax Media Converter

## Standard Features

### VDSL2

- Cost-effective VDSL2 CO/CPE bridge solution
- One-box design, CO/CPE selectable via DIP-switch
- Selectable target data rate and target SNR margin
- Discrete Multi-Tone (DMT) line coding

### Ethernet

- 10/100Mbps Ethernet
- Auto-negotiation and auto-MDI/MDI-X
- Half-duplex back pressure and IEEE802.3x full-duplex pause-frame flow control
- Supports up to 1536 bytes packet size
- 802.1Q VLAN tag transparent

### Installation & Diagnostics

- Plug-and-play installation
- Compact size
- Supports 50 or 75 ohm coax
- Extensive LED indicators for network diagnostics

### Warranty

- 3-year Warranty



MCE-Coax

North America  
 T 888-437-3287  
 F 503-691-7566  
 E sales@ifs.com

Asia  
 T 852-2907-8108  
 F 852-2142-5063

Australia and New Zealand  
 T 613-9239-1200  
 F 613-9239-1299

Europe  
 T 44-113-238-1668  
 F 44-113-253-8121

Latin America  
 T 561-998-6100  
 F 561-994-6572

interlogix.com  
 utcfireandsecurity.com

Specifications subject to  
 change without notice.

© 2010 Interlogix, A UTC Fire & Security Company.  
 All rights reserved.

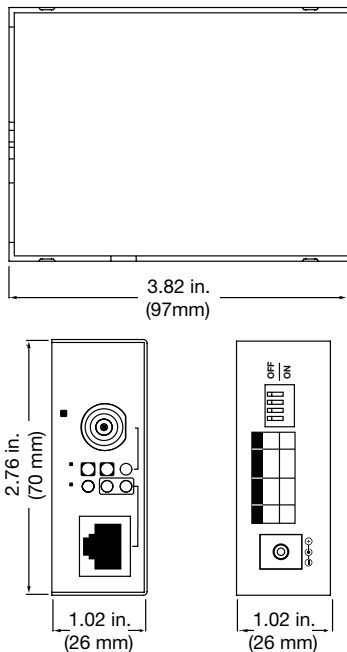
GE and the GE monogram are trademarks of the  
 General Electric Company and are under license  
 to UTC Fire & Security, 9 Farm Springs Road,  
 Farmington, CT 06034-4065

**Agency Compliances**

- FCC
- CE



## Dimensional Diagram



## Specifications

Ethernet		
Data Rate	10/100Base-TX with Auto-negotiate and Auto-MDI/MDI-X	
Connector	RJ-45	
Cable	10Base-T (Cat 3, 4, 5) / 100Base-T (Cat 5e) — 328 ft. (100m)	
Coax (VDSL2)		
VDSL2 Transmission Mode	CO/CPE Mode; Channel; Rate Limit; SNR	
VDSL2-DMT Encoding	ITU-T G.993.1 VDSL; ITU-T G.997.1; ITU-T G.993.2 VDSL2 (Profile 12a support), Annex A	
Connector	BNC female	
Cable	50 or 75 ohm coax	
VDSL2 Distance-> Data Rate*	(Down stream / Up stream)	(Down stream / Up stream)
	• 200m -> 100/65Mbps	• 1000m -> 100/42Mbps
	• 400m -> 100/65Mbps	• 1200m -> 90/36Mbps
	• 600m -> 100/58Mbps	• 1400m -> 80/27Mbps
	• 800m -> 100/52Mbps	• 1600m -> 70/10Mbps
LED Indicators		
Power	On - Green	
10/100 Base-TX Port	LNK/ACT; 100Mbps - Green	
VDSL2 (Coax) Port	LNK/ACT; CO Mode; CPE Mode - Green	
Electrical & Mechanical		
Power	5V @ 2A	
Enclosure	Metal	
Dimensions (H x W x D)	3.82 x 2.76 x 1.02 in. (9.7 x 7.0 x 2.6 cm)	
Weight	0.44 lbs/200g	
Environmental		
Operating Temperature	0° ~ 50C	
Storage Temperature	-20° ~ 70C	
Relative Humidity	0% ~ 90% (non-condensing)	

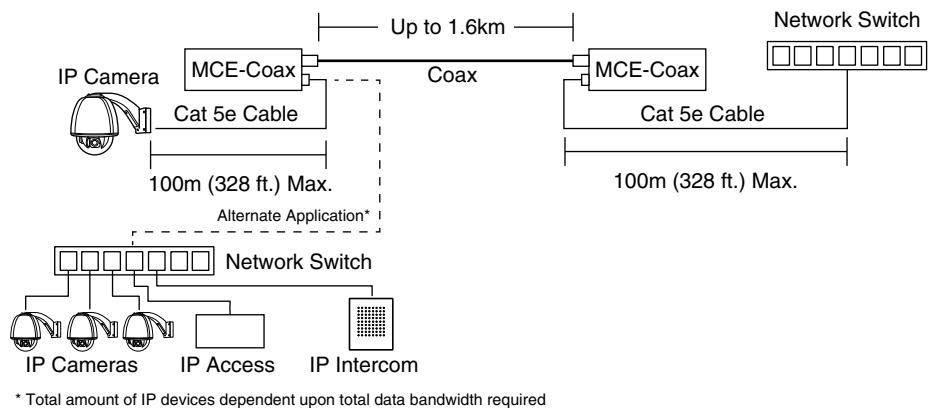
\*The actual data rate will vary based on the quality of the coaxial cable and environment factors.

## Ordering Information

MCE-COAX Ethernet over VDSL 2 Converter

Note: External power supply must be purchased separately

## Typical Application



Security Products by GE are now part of the UTC Fire & Security family



**UTC Fire & Security**

A United Technologies Company