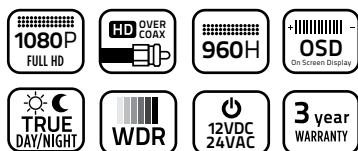


HD-TVI Analog Box Camera

1080p Resolution Camera



OVERVIEW

The TruVision® HD-TVI Box Camera by Interlogix delivers cost effective surveillance with high resolution HD-TVI technology and up to 1080p image quality over existing coaxial cable. This camera also provides quality images in a variety of lighting conditions. With quick and easy installation, the HD-TVI Box Camera is ideal for new or existing projects and helps users stay within budget constraints without compromising security needs.

STANDARD FEATURES

Video

- HD-TVI Technology for transmitting HD quality video over existing coax cable
- 1080p HD resolution with 1920 (H) x 1080 (V) Effective Pixels
- On Screen Display menus for easy camera configuration
- HD-TVI and 960H CVBS video output

Video Enhancements

- True WDR (120 dB)
- True day/night functionality

Installation

- C/CS Lens Mounts
- Lens must be ordered separately in addition to the base camera


Warranty

- 3-year warranty

HD-TVI Analog Box Camera

1080p Resolution Camera

Specifications

PART NO.		TVC-4401 TVC-2401
		
Camera	Sensor	1/3" CMOS
	Standard	HD-TVI
	Signal System	NTSC/PAL
	Resolution	1080p
	Effective Pixels	1920 (H) x 1080 (V)
	Synchronization	Internal
	Day/Night	IR cut filter with auto switch
	Wide Dynamic Range	120 dB
	Electronic Shutter	NTSC: 1/30 s to 1/50,000 s; PAL: 1/25 s to 1/50,000 s
	Minimum Illumination	Color: 0.01 lux @ f1.2 (AGC On); B&W: 0.001 lux @ f1.2 (AGC On)
	Digital S/N Ratio	52 dB (AGC Off)
	Lens Type	C/CS-DC
	On Screen Display (OSD)	OSD button, TruVision Coax OSD control on TVI
OSD Languages	English, Japanese, CHN1, CHN2, Korean, German, French, Italian, Spanish, Polish, Russian, Portuguese, Dutch, Turkish, Hebrew and Arabic	
Video Output	Dual output: TVI and 960H Composite (when WDR is enabled, 960H output will be disabled)	
Video Connector	1 - 75 Ω/BNC @ TVI 1 - 75 Ω/BNC @ 960H	
Electrical & Mechanical	Voltage Input	12VDC/24VAC
	Power Consumption	12W (Max.)
	Current	12VDC: 1 A (Max.) 24VAC: 500 mA (Max.)
	Dimensions	2.7 x 2.3 x 5.85 in. (69.2 x 57.3 x 148.7mm)
	Weight	.083 lbs. (378g)
Environmental	Operating Temperature	12VDC: -22°F~140°F (-30°C~60°C); 24VAC: -22°F~140°F (-30°C~60°C)
	Humidity (non-condensing)	<90%
	Environmental Rating	N/A
	Vandal Rating	N/A
Regulatory	Compliance	FCC, CE, UL, RCM, REACH, RoHS, WEEE

Ordering Information*

NTSC	
TVC-4401	TruVision® HD-TVI Box Camera, 1080p, C/CS Lens, True D/N, WDR, 960H Monitor & TVI Dual-Output, TVI & Button OSD Control, 12VDC/24VAC, NTSC
PAL	
TVC-2401	TruVision HD-TVI Box Camera, 1080p, C/CS Lens, True D/N, WDR, 960H Monitor & TVI Dual-Output, TVI & Button OSD Control, 12VDC/24VAC, PAL

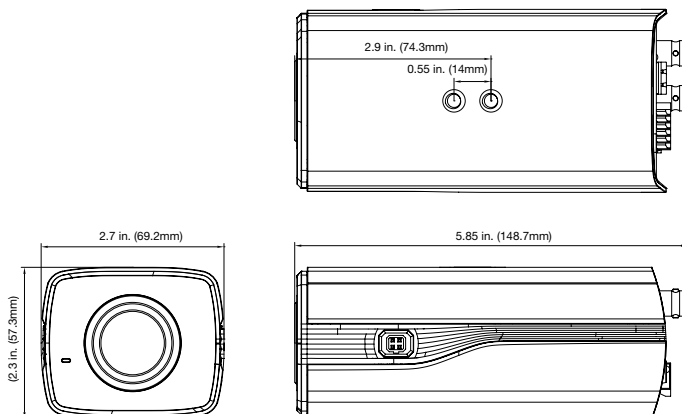
* Lens must be ordered separately in addition to the base camera.

Accessories

TVL-001	TruVision 1.3~3MPx Lens, 2.7~12mm VF, f1.2, CS Mount, 1/2.7", CS, Auto Iris, IR Sensitive, for 1.3~3MPx Box Cameras
TVL-002	TruVision 1.3~3MPx Lens, 5~50mm VF, f1.7, CS Mount, 1/2.7", CS, Auto Iris, IR Sensitive, for 1.3~3MPx Box Cameras
YV2.8X2.8SA-2	TruVision Box Camera 3 Megapixel 1/3", 2.8-8mm Vari-Focal Lens, Manual Iris, f1.2~f360
YV2.8X2.8SA-SA2	TruVision Box Camera 3 Megapixel 1/3", 2.8-8mm Vari-Focal Lens, DC Auto Iris, f1.2~f360

Dimensional Diagram

TVC-4401/-2401



interlogix.com

Specifications subject to change without notice.

© 2016 United Technologies Corporation.
All rights reserved.

All trademarks are the property of their respective owners.
Interlogix is part of UTC Climate, Controls & Security,
a unit of United Technologies Corporation.

2016/06 (LI-1674)