

# Advisor<sup>®</sup> Residential Indoor IP Camera



Compatible  
only with  
**Advisor**  
systems by  
Interlogix

## OVERVIEW

The Advisor Residential Indoor IP Camera from Interlogix captures video and still images related to motion detection, video surveillance and alarm notification. This camera, exclusively for the Advisor lifestyle and security management system, offers advanced MPEG-4 video compression which produces a high-quality, high frame rate, up to 640 x 480 video stream. At up to 30 frames per second this camera provides high video quality and, when properly configured in a complete system, reliable security.

The Indoor IP camera is equipped with a bi-directional microphone/speaker to capture audio along with video. It supports both wired and wireless connections, is compact and easy to install and operate.

The Indoor IP Camera offers versatility in placement. The camera base has a swivel mount which allows for mounting on walls and ceilings. The small size and clean design make this camera ideal for placing on desks, cabinets and shelves.

## STANDARD FEATURES

- Supports 802.11g wireless and wired 10/100 Base-T Ethernet for easy installation
- VGA resolution (640 x 480) at full 30 frames per second for optimum video quality
- Bi-directional microphone/speaker captures audio with video (supported apps must be present)
- On-screen display with Interlogix Advisor systems

# Advisor<sup>®</sup> Residential Indoor IP Camera

## Specifications

LAN	DM9102D, 10/100BaseT, Auto-MDIX
Power consumption	Estimated 3W
External power adaptor	5V/1A, 10, 100 to 240VAC, switching
Built-in microphone	6mm, -40dB + 3dB, > 55dB
Dimensions (W x H x D)	3.5 x 3.5 x 1.4 in. (88.9 x 88.9 x 35.56 mm)

### Environment

Temperature	32°F~104°F (0°C~40°C)
Relative humidity	10%~80% (noncondensing)

### Video

Image sensor	1/4" CMOS, VGA Resolution
Compression	MPEG-4/M-JPEG Dual Stream
Resolution support	640x480, 320x240, 160x120
Frame rate	Up to 30 frames per second in VGA (640x480)

### Audio

Compression	G.711, G.726 ADPCM
Microphone/Speaker	Bi-directional audio, built-in mic and external speaker

### Wireless

Standard	IEEE 802.11b and 802.11g
Operation modes	Infrastructure/Ad-Hoc
Range	Indoor: 50m
Encryptions	WEP 64 Bits/128 Bits, WPA-PSK
Frequency	2.4~2.4835GHz, DSSS
Antenna	2dbi, Detachable

### Hardware

CPU	SC1100 SOC with H/W MPEG-4/M-JPEG Codec
Flash ROM	4 Megabytes
SDRAM	32 Megabytes
LAN	Ethernet 10/100BaseT
LED indicators	LED indicator for Power and Network
Connector	Ethernet RJ-45, Speaker, DC Power, Reset
WPS button	Push-button for WPS wireless association
Privacy button	Push-button for video enable/disable
Power adaptor	5V/1A, 100/240VAC
Weight	0.29 lbs. (131 grams) without stand

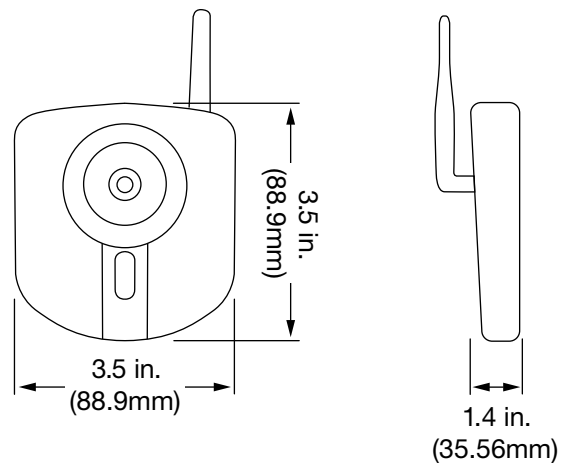
## Ordering Information

<b>IS-IC-1000</b>	Indoor Camera
-------------------	---------------

## Accessories

<b>IS-CAT5-CABLE</b>	6' Ethernet Cable
----------------------	-------------------

## Dimensional Diagram



interlogix.com

Camera compatible only with Advisor<sup>®</sup> systems.  
Specifications subject to change without notice.

© 2016 United Technologies Corporation.  
All rights reserved.

All trademarks are the property of their respective owners.  
Interlogix is part of UTC Climate, Controls & Security,  
a unit of United Technologies Corporation.

2016/06 (LI-1370)