

Multi-Speed, Digiplex™ System Control



The KTD-400 provides system-wide control. It can also operate VCRs.

The KTD-400 is a keypad that controls Digiplex system components. It can address and manage 512 PTZ (pan/tilt/zoom) receiver sites, operate a matrix switcher with 64 monitor outputs, and address and select views from as many as 64 multiplexers. Its multi-speed control feature allows users to toggle between slow, medium and fast speed control for PTZ camera

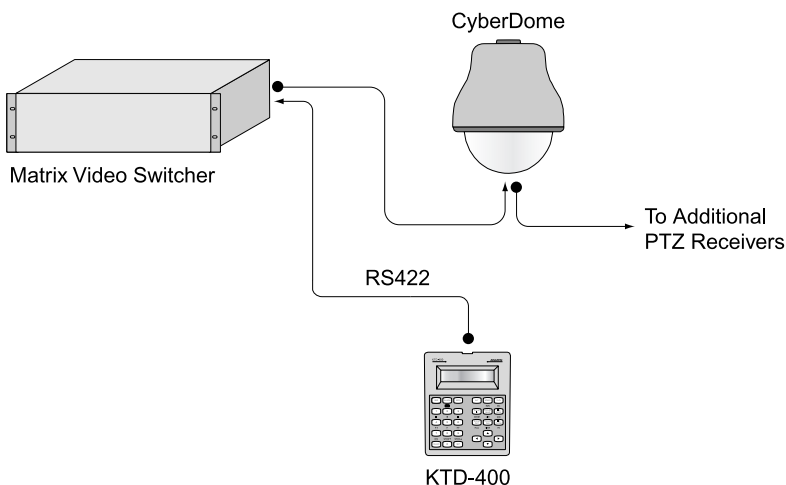
assemblies. The KTD-400 can also operate VCRs.

Authorized personnel may program the keypad and other Digiplex components through confidential access codes. Programmable components include CyberDomes, PTZ receivers, matrix video switchers and alarm interfaces. All data is stored in nonvolatile memory.

Features

- Control for up to 512 PTZ sites
- Matrix switcher operation
- Multiplexer view/VCR control
- Mini-matrix control output
- Programmable nonvolatile memory
- Multi-speed CyberDome control
- Twisted-pair control
- Liquid crystal display
- Compact and attractive keypad
- Injection-molded housing
- Rack-mount format available

The KTD-400 keypad is housed in high-impact, injection-molded plastic. It is outfitted with low profile, easy-to-read keys and a backlit, liquid crystal display (LCD). It communicates with other Digiplex components through an RS422 signal over twisted-pair wire. It also offers a DTMF output for mini-matrix video switcher control.



Digiplex System Control

The KTD-400 communicates with other Digiplex components via an RS422 signal over twisted-pair wire. It can operate a matrix switcher with 64 monitor outputs as well as address and manage up to 512 PTZ receiver sites.

Digiplex

In a Digiplex system, the KTD-400 provides the following controls:

- Multi-speed PTZ
- Preset control
- Video switching
- Sequencing
- Multiplexer view and VCR control

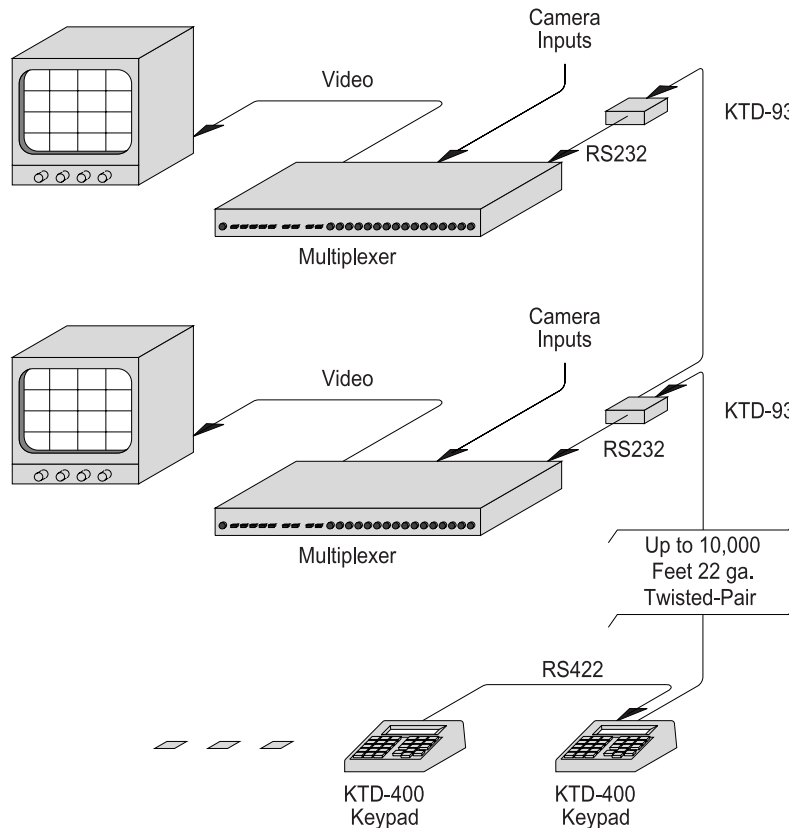
Programming

The KTD-400 offers many programming choices which customize its function within a Digiplex system:

- System size
- Camera access
- Monitor access
- Multiplexer type/view control
- VCR type/control
- Monitor offset

VCR Control

The KTD-400 can communicate with a KTD-93 receiver to control Sanyo, Sony and Toshiba brand VCRs. Contact the manufacturer for information about compatible VCR models.



MultiplexerView Control

The KTD-400 provides multiplexer view control, which allows the keypad to address and select views from as many as 64 multiplexers.

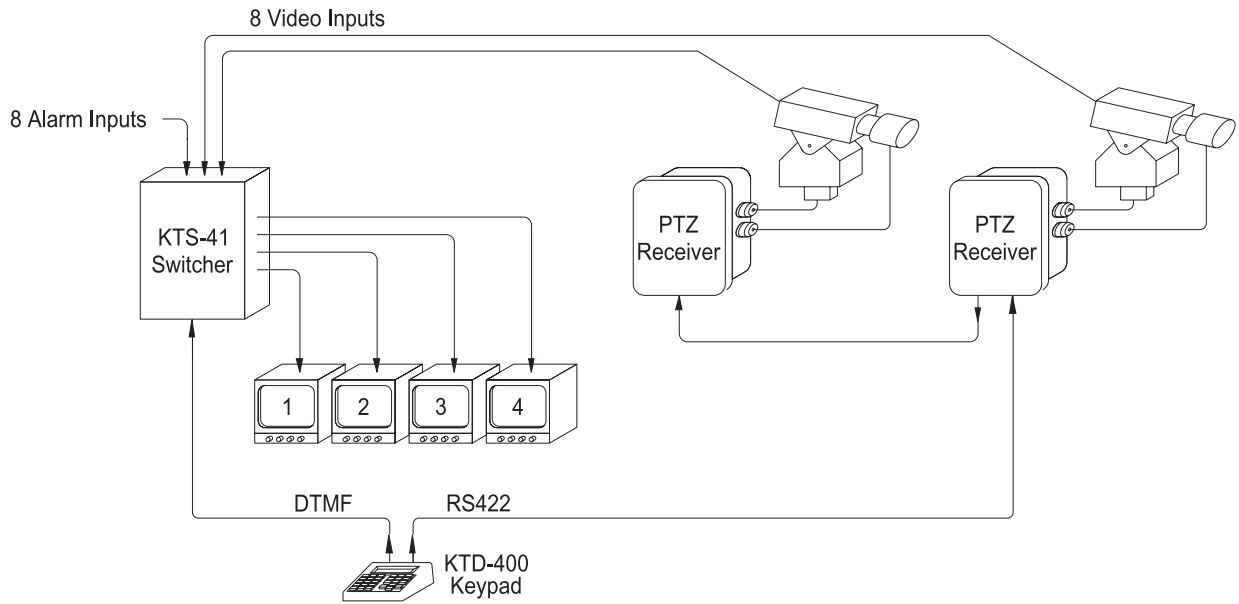
In multiplexer mode, the following commands are available:

- Select active multiplexer site (1-64)
- Select video input
- Select monitor output 1 or 2
- Switch to live video
- Place multiplexer in sequence mode
- View VCR playback
- Operate electronic zoom
- Step through multiple camera views

A KTD-93 receiver is required for each multiplexer and VCR in the system. Multiplexer view control will vary according to brand.

Table 1: Multiplexer Models Addressable with the KTD-93

Manufacturer	Model	Manufacturer	Model	Manufacturer	Model
Burle:	TC8288B	Digispec:	MS series	Tecton Ltd.:	Drax
	TC8298B	ATV:	DPX16	Vicon:	AurorA™
Superscope:	VM 5500		DPX9	VRC:	3CDE8
	VM 5600		QSP860, -SPX, -Z	Vision Factory:	Montage
Gyyr:	VMX16D	Robot:	MV90 series	Dedicated Micros:	Series II™
Calibur by	CBR		MV200 series	(RS232 models only)	DX Pro™
Kalatel:	DVMR	Sanyo:	MPX-CD16		
(RS232 models only)	MMX				

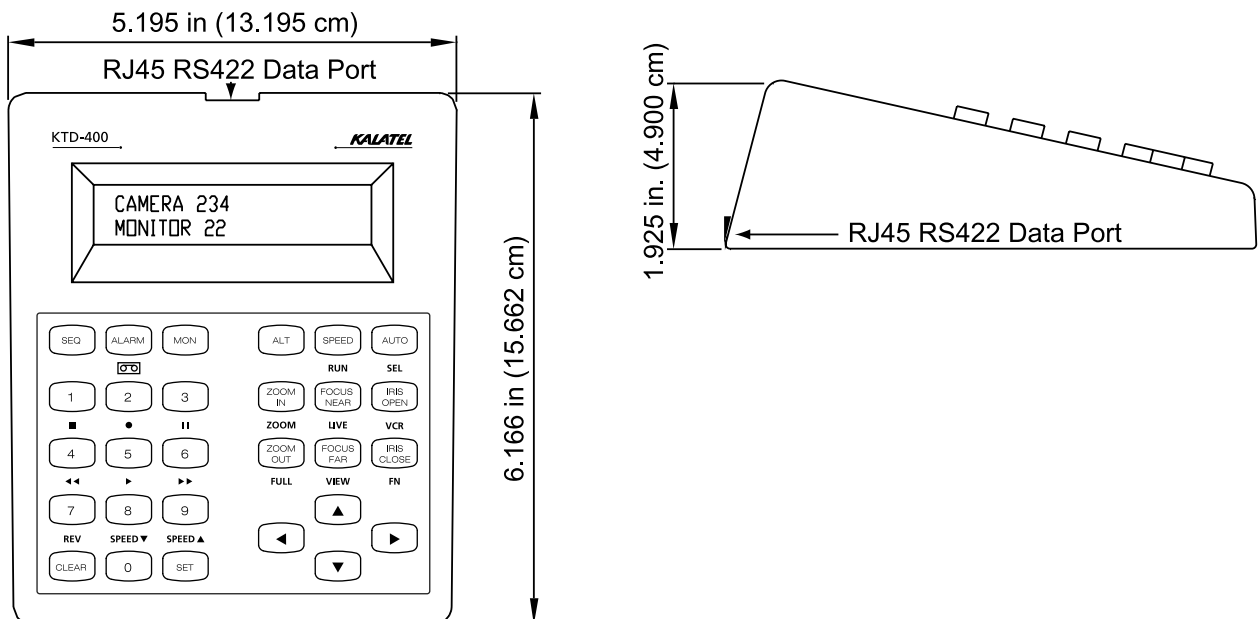


Mini-Matrix Applications

The KTD-400 features a DTMF output for mini-matrix video switcher control. In mini-matrix applications, the KTD-400 can communicate with a video switcher and switch up to eight video inputs to as many as four monitor outputs.

Dimensions

KTD-400



Technical Specifications

Electrical

Input:

Voltage¹: 12VDC

Power¹: 3.3 VA

Data Signal: RS422

Output:

Data Signal: RS422

Mini-matrix

Signal: DTMF, 1.25V p-p
typical on nominal
2V pedestal

Control

Display

20 x 2 character liquid
crystal display (LCD)
with back lighting

Connection

KTD-400: RJ45 modular phone jack

Mechanical

Weight:

KTD-400: 0.95 lbs.

Construction:

KTD-400: High-impact, injection-
molded ABS plastic

Color: Grey

¹115VAC/12VDC plug-in wall transformer
provided except with LT option

Keys

Site Select

- 0 - 9:* Used to select active cameras sites and multiplexers.
- clear:* Used to clear the screen, clear alarms, clear keypad entries and various programming functions.
- set:* Used to select presets, enter programming mode, and various programming functions.

Pan/Tilt/Zoom Control

zoom in, zoom out,
focus near, focus far } Operate motorized lens functions on the
iris open, iris close } selected remote pan/tilt/zoom receiver.

4 directional
arrow keys } Operate pan and tilt functions on the
selected remote pan/tilt/zoom receiver,
and electronic zoom on multiplexers.

- speed:* Cycles between fast, medium and slow speed control for variable speed camera assemblies.
- auto:* Initiates autopan function on the selected remote pan/tilt/zoom receiver. If held down for 1 second, places CyberDome into autofocus state.


Video Switcher

- mon:* Used to select an active monitor.
- seq:* Initiates sequence tour 1 to 4 for the selected monitor on a remote video switcher.
- alarm:* Toggles the selected monitor output on a remote video switcher between the "alarm on" and "alarm off" mode.

Multiplexer Function

- alt:* Toggles between multiplexer view control and Digiplex control modes.
- auto:* Selects automatic switching of videos; also used in setup of motion detection areas.
- sel:* Used to select an active multiplexer.
- zoom:* Toggles between a full screen view and a 2x view of the selected video, if available on the specific multiplexer.
- live:* Used to view the live video inputs in any of the display modes; also used during setup of motion detection areas.
- vcr:* Selects VCR output for monitoring during taping or VCR input for viewing during playback; also used in setup of motion detection areas.
- full:* Used by some multiplexer types to restore full view.
- view:* Toggles between selected views.
- fn:* Reserved for future development.

VCR Control

-  Eject or menu, depending on VCR model.
- Stops VCR playback or recording.
- Record.
- ◀▶ Rewind and fast forward (or reverse and search, if in PLAYBACK).
- ▶ Playback.
- rev:* Reverse.
- speed ▼:* Decrease recording speed.
- speed ▲:* Increase recording speed.

Mailing Address

PMB 225, P.O. Box 3004
Corvallis, OR, USA 97339
www.kalatel.com

Americas

800-469-1676 (US only)
tel 541-754-9133
fax 541-754-7162

Asia

tel 852-2907-8108
fax 852-2142-5063

Australia

tel 61-3-9259-4700
fax 61-3-9259-4799

Europe

tel 32-50-51-32-34
fax 32-50-51-66-28