

# HD-TVI Analog PTZ Cameras

1080p or 960H Resolution



## OVERVIEW

The TruVision® HD-TVI Analog PTZ Cameras by Interlogix utilize the latest PTZ technology to provide powerful, cost-effective surveillance for retail, commercial and small business applications. With 1080p resolution and a 32X optical zoom (16X digital) working together, these cameras deliver crisp, clear images, even at a distance.

The HD-TVI Analog PTZ cameras are available in wall/pendant mount (IR or non IR versions) or surface/flush mount (non IR version) to meet various application needs. The surface/flush version includes the flush mount bracket, which can be removed to convert it to a surface mount PTZ. With advanced features, such as True Day/Night surveillance and Wide Dynamic Range (WDR) imaging, these cameras are able to provide optimal image quality in a variety of indoor or outdoor environments.

These cameras are also fully programmable, with up to 256 presets, 10 patrol tours, and shadow tours for end-user customization and flexibility. Motion detection, privacy masking and electronic image stabilization add substantial value and enhanced security to any surveillance system. A 24-zone privacy-mask feature also allows these cameras to block out sensitive areas, such as fitting rooms or restricted areas.

## STANDARD FEATURES

### Video

- HD-TVI 1080p or 960H analog resolution, selectable
- HD-TVI technology for transmitting Full HD quality video over existing coax cable

### Video Enhancements

- 3DNR and WDR
- True Day/Night functionality
- Infrared illuminators (on select models)

### PTZ

- 32X optical (16X digital)
- 360° endless rotation
- -5° ~ 90° tilt range (non IR models)
- -15° ~ 90° tilt range (IR models)
- Pan preset speed of 250° /s (IR models) and 160° /s (non IR mode)
- Tilt preset speed of 150° /s (IR models) and 120° /s (non IR mode)
- Auto-flip image

### Miscellaneous

- TruVision Up-the-Coax data transmission support
- Interlogix RS485, RS422 Digiplex, RS422 ASCII protocols as well as select third-party protocols support
- A variety of mounts are supported
- Flush mount bracket included on surface/flush mount model
- Privacy masking and motion detection

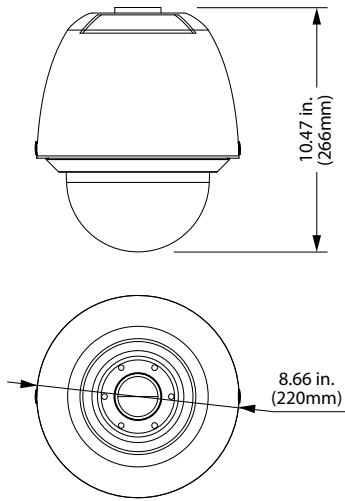
### Environmental and Warranty

- IP54 environmental rating on indoor surface/flush mount model
- IP66 environmental rating on outdoor wall/pendant mount and IR model
- IK10 vandal rating (on select models)
- 3-year warranty

# Dimensional Diagrams

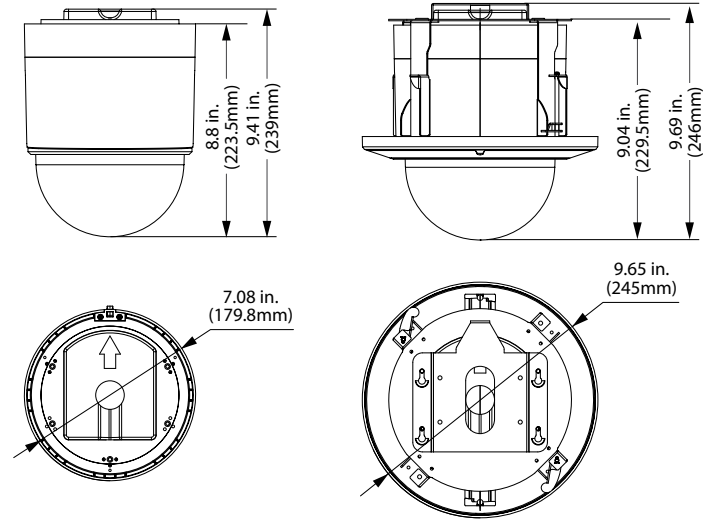
## TVP-6101

Wall/Pendant Mount



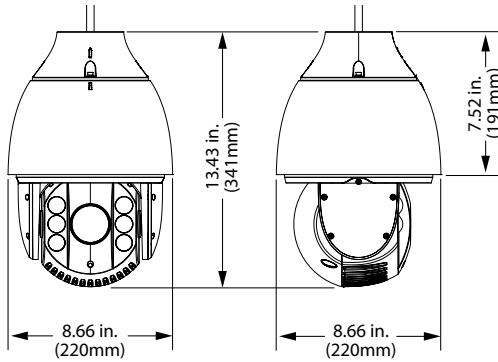
## TVP-6102

Surface/Flush Mount



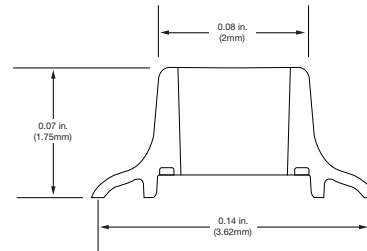
## TVP-6103

IR Wall/Pendant Mount

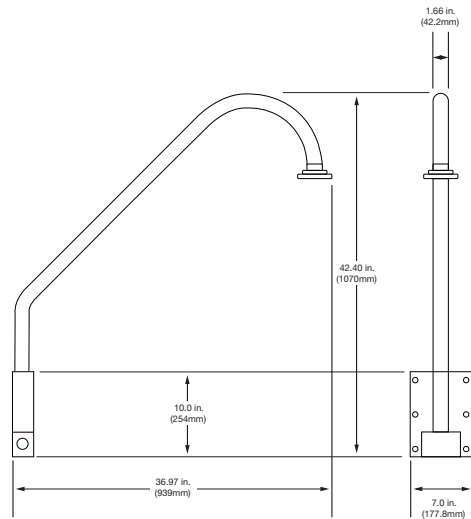


## Accessories

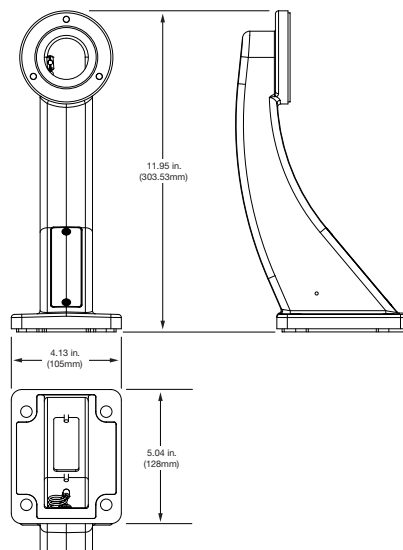
10600508 Pendant Adapter for PTZ



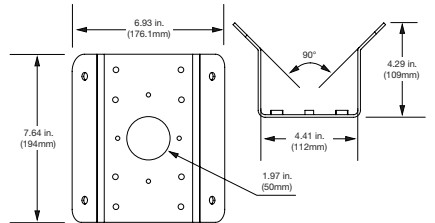
## TVP-SAM TruVision PTZ Swing Arm Mount



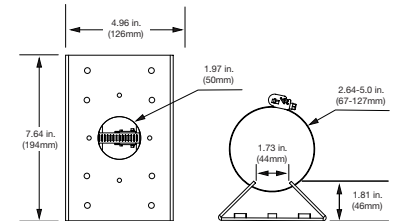
## TVP-WMB TruVision PTZ Wall Mount






## TVP-WM-CM TruVision PTZ Corner Mount Adapter



## TVP-WM-PM TruVision PTZ Pole Mount Adapter



	PART NO.	TVP-6101	TVP-6102	TVP-6103
	Description			
Camera	Sensor	1/2.8" HDD		
	Resolution	1080p on HD-TVI output / 960H on Analog output, selectable		
	Effective Pixels	1920(H) x 1080(V)		
	Synchronization	Internal		
	Day/Night	True D/N IR cut filter		
	Wide Dynamic Range	WDR		
	Digital Noise Reduction	3D DNR		
	Digital S/N Ratio	52 dB (AGC Off)		
	Electronic Shutter	1-1/10,000s		
	Minimum Illumination	Color: 0.005 lux @ (f1.2, AGC On); B/W: 0.001 lux @ (f1.2, AGC On)		Color: 0.005 lux @ (f1.2, AGC On); B/W: 0.001 lux @ (f1.2, AGC On); 0 lux with IR On
	IR range	N/A		492 ft. (150m)
	Lens	4.8 to 153mm, 32X @ f1.2 to f4.4		
	Zoom Range	32X (Optical), 16X (Digital)		
	Pan Range and Speed	Range: 360° endless Manual speed: 0.1° to 250°/sec Preset speed: 250°/sec		Range: 360° endless Manual speed: 0.1 to 160°/sec Preset speed: 160°/sec
	Tilt Range and Speed	Range: -5° to 90° Manual speed: 0.1° to 150°/sec Preset speed: 150°/sec		Range: -15° to 90° Manual speed: 0.1° to 120°/sec Preset speed: 120°/sec
	Image Flip	Auto flip		
Video Output	HD-TVI / 960H analog, selectable			
Presets	256			
Patrol	10 patrols, up to 32 presets per patrol			
Intelligence	Image flip, defog, image freeze			
Alarms and Audio	Audio	N/A		
	I/O	2 input /1 output		N/A
Standards and Integrations	PTZ Protocol	Interlogix RS485 protocol, Pelco-P, Pelco-D, RS422 Digiplex, RS422 ASCII, Bosch Code, AD Code		
Electrical and Mechanical	Voltage Input	24VAC		
	Current	1190 mA		1790 mA
	Power Consumption	20W		30W
	Dimensions (W x H)	8.66 x 12.00 in. (220 x 305mm)	7.22 x 9.57 in. (183.4 x 243mm)	
	Weight	(6.61 lbs.) 3 kg		(9.92 lbs.) 4.5 kg
Environmental	Operating Temperature	-22° to 149°F (-30° to 65°C)	14° to 122°F (-10° to 50°C)	
	Environmental Rating	IP66	IP54	
	Vandal Rating	IK10	N/A	
	Certification	FCC, CE, WEEE, UL, RoHS, REACH		

# HD-TVI Analog PTZ Cameras

1080p or 960H Resolution

## Ordering Information

<b>TVP-6101</b>	TruVision® HD-TVI PTZ, 1080p, 32X, WDR, Wall Mount, TVI or 960H Analog Selectable, TVI/RS485/RS422 Control, 24VAC, IK10, IP66, PAL/NTSC
<b>TVP-6102</b>	TruVision HD-TVI PTZ, 1080p, 32X, WDR, Surface/Flush Mount, TVI or 960H Analog Selectable, TVI/RS485/RS422 Control, 24VAC, IP54, PAL/NTSC
<b>TVP-6103</b>	TruVision HD-TVI IR PTZ, 1080p, 32X, WDR, 150m IR, Wall Mount, TVI or 960H Analog Selectable, TVI/RS485/RS422 Control, 24VAC, IP66, PAL/NTSC

## Accessories

<b>1060050A</b>	Pendant Adapter for PTZ, 1-1/4 NPT, Rubber Boot, Gray
<b>TVP-WMB</b>	TruVision PTZ Wall Mount
<b>TVP-WM-CM</b>	TruVision PTZ Corner Mount Adapter (use with TVP-WMB Wall Mount)
<b>TVP-WM-PM</b>	TruVision PTZ Pole Mount Adapter (use with TVP-WMB Wall Mount)
<b>TVP-SAM</b>	TruVision PTZ Swing Arm Mount



[interlogix.com](http://interlogix.com)

Specifications subject to change without notice.

© 2018 United Technologies Corporation.

All rights reserved.

Interlogix is part of UTC Climate, Controls & Security,  
a unit of United Technologies Corporation.

2018/11 (GSP-2764)