

2MPx, 4MPx and 8MPx (4K) IP Bullet IR Cameras

Series 6 IP Cameras



OVERVIEW

TruVision® IP Megapixel Bullet IR Cameras by Interlogix bring high definition images to the mass video surveillance market. With 2MPx, 4MPx or 8MPx (4K) resolution options, these cameras provide flexibility for a wide variety of applications.

The IP Megapixel Bullet IR Cameras adhere to ONVIF® Profile S and G open communications standards as well as CGI command set support for simple integration into standard IP systems. By utilizing an integrated browser and micro SD memory card storage capability, these cameras simplify remote, live monitoring/playback of edge-recorded audio and video. Memory card recording also helps protect data in the event of network disruptions.

Cross line, intrusion, face detection, and privacy masking provide additional flexibility when monitoring key areas of a facility. These features alert the user when key exceptions are triggered, reducing the amount of time and effort required when responding to alarms.

Network security features include network disconnect, IP address conflict and illegal login detection. These features in addition to integrated motion and tamper detection provide a secure video solution.

STANDARD FEATURES

Video

- 2MPx, 4MPx or 8MPx (4K) resolution options
- H.265/H.264/MJPEG (on substream) compression technology with triple-streaming capability
- 4mm fixed lens / 2.8-12mm motorized varifocal lens options
- ONVIF Profile S and G open communications standards compatibility

Video Enhancements

- WDR 120 dB
- True D/N functionality and infrared illuminators
- 98 ft. (30m) to 164 ft. (50m) IR range on select models

Alarm Intelligence

- Integrated motion and tamper detection
- Network disconnected and IP address conflict detection
- Illegal login detection

Edge Recording

- Edge recording on up to 128GB micro SD/SDHC/SDXC card for video playback (card not included)




Installation and Environment







- IP67 Environmental rating on select models
- IK10 Vandal rating on select models
- TruVision Device Manager software to access newly added system devices
- Cable management back box available as an accessory for the fixed lens camera

Warranty

- 3-year warranty

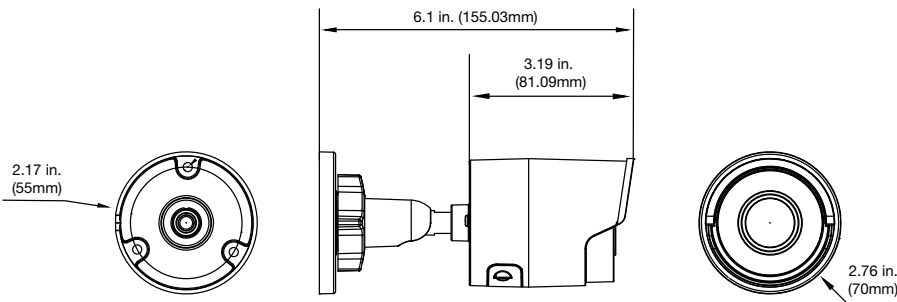
Specifications

	PART NO.	TVB-5601	TVB-5602	TVB-5603	TVB-5604	TVB-5605	TVB-5606	
								
Housing		Gray						
Camera	Sensor	1/2.8" Progressive Scan CMOS		1/2.5" Progressive Scan CMOS	1/2.8" Progressive Scan CMOS		1/2.5" Progressive Scan CMOS	
	Resolution	2MPx	4MPx	8MPx (4K)	2MPx	4MPx	8MPx (4K)	
	Day/Night	True D/N, IR cut filter						
	IP Compression/Standard	H.265 / H.264 / MJPEG						
	Main Stream	H.265 / H.264						
	Substream	H.265 / H.264 / MJPEG						
	3rd Stream	H.265 / H.264						
	Multiple Streaming	Triple Stream						
	Maximum Resolution	1920 x 1080	2560 x 1440	3840 x 2160	1920 x 1080	2560 x 1440	3840 x 2160	
	Main Stream Real-Time Resolution	50Hz: 25 fps (1920 x 1080, 1280 x 960, 1280 x 720) 60Hz: 30 fps (1920 x 1080, 1280 x 960, 1280 x 720)	50Hz: 25 fps (2560 x 1440, 2304 x 1296, 1920 x 1080) 60Hz: 30 fps (2560 x 1440, 2304 x 1296, 1920 x 1080)	50Hz: 12.5 fps (3840 x 2160); 20 fps (3072 x 1728); 25 fps (2560 x 1440, 1920 x 1080, 1280 x 720) 60Hz: 15 fps (3840 x 2160); 20 fps (3072 x 1728); 30 fps (2560 x 1440, 1920 x 1080, 1280 x 720)	50Hz: 25 fps (1920 x 1080, 1280 x 960, 1280 x 720) 60Hz: 30 fps (1920 x 1080, 1280 x 960, 1280 x 720)	50Hz: 25 fps (2560 x 1440, 2304 x 1296, 1920 x 1080) 60Hz: 30 fps (2560 x 1440, 2304 x 1296, 1920 x 1080)	50Hz: 12.5 fps (3840 x 2160); 20 fps (3072 x 1728); 25 fps (2560 x 1440, 1920 x 1080, 1280 x 720) 60Hz: 15 fps (3840 x 2160); 20 fps (3072 x 1728); 30 fps (2560 x 1440, 1920 x 1080, 1280 x 720)	
	Substream Real-Time Resolution	50Hz: 25 fps (704 x 576, 640 x 480, 640 x 360, 320 x 240) 60Hz: 30 fps (704 x 480, 640 x 480, 640 x 360, 320 x 240)						
	3rd Stream Real-Time Resolution	50Hz: 25 fps (1920 x 1080, 1280 x 720, 640 x 360, 352 x 288) 60Hz: 30 fps (1920 x 1080, 1280 x 720, 640 x 360, 352 x 240)	50Hz: 25 fps (1280 x 720, 640 x 360, 352 x 288) 60Hz: 30 fps (1280 x 720, 640 x 360, 352 x 240)	50Hz: 25 fps (1920 x 1080, 1280 x 720, 640 x 360, 352 x 288) 60Hz: 30 fps (1920 x 1080, 1280 x 720, 640 x 360, 352 x 240)	50Hz: 25 fps (1280 x 720, 640 x 360, 352 x 288) 60Hz: 30 fps (1280 x 720, 640 x 360, 352 x 240)	50Hz: 25 fps (1920 x 1080, 1280 x 720, 640 x 360, 352 x 240)	50Hz: 25 fps (1280 x 720, 640 x 360, 352 x 288) 60Hz: 30 fps (1280 x 720, 640 x 360, 352 x 240)	
	Video Bit Rate	32 Kbps to 16 Mbps						
	Wide Dynamic Range	120 dB						
	Digital Noise Reduction	3D DNR						
	Minimum Illumination	Color: 0.01 lux @ (f1.2, AGC On), 0.028 lux @ (f2.0, AGC On), 0 lux with IR	Color: 0.01 lux @ (f1.2, AGC On), 0.018 lux @ (f1.6, AGC On), 0 lux with IR	Color: 0.01 lux @ (f1.2, AGC On), 0.028 lux @ (f2.0, AGC On), 0 lux with IR	Color: 0.01 lux @ (f1.2, AGC On), 0.028 lux @ (f2.0, AGC On), 0 lux with IR	Color: 0.01 lux @ (f1.2, AGC On), 0.018 lux @ (f1.6, AGC On), 0 lux with IR		
	Digital S/N Ratio	50 dB (AGC Off)						
	Auto Exposure (shutter)	1/3 s to 1/100,000 s						
	Lens	4mm: horizontal FOV: 86°, vertical FOV: 46°, diagonal FOV: 102°	4mm: horizontal FOV: 78°, vertical FOV: 42°, diagonal FOV: 93°	4mm: horizontal FOV: 79°, vertical FOV: 42°, diagonal FOV: 95°	2.8 to 12mm: horizontal FOV: 110° to 31°, vertical FOV: 58° to 18°, diagonal FOV: 136° to 36°	2.8 to 12mm: horizontal FOV: 98° to 28°, vertical FOV: 51° to 16°, diagonal FOV: 115° to 32°	2.8 to 12mm: horizontal FOV: 105° to 34.5°, vertical FOV: 55° to 19°, diagonal FOV: 125° to 40°	
	Focus	Fixed			Motorized Varifocal			
IR Range	98 ft. (30m)			164 ft. (50m)				
Video Output	N/A							
Video Connector	Composite (NTSC/PAL) (for video test monitor service cable) 1 - 75W / BNC (for video test monitor service cable)							
Network	Ethernet Port	1 RJ45 10M/100M auto-negotiate						
	Network Protocols	TCP/IP, ICMP, HTTP, HTTPS, FTP, DHCP, DNS, DDNS, RTP, RTSP, RTCP, PPPoE, NTP, UPnP™, SMTP, IGMP, 802.1X, QoS, IPv6, Bonjour						
Local Storage	Media	Micro SD/SDHC/SDXC Card						
	Capacity	128GB (card not included)						
Audio	Input	N/A			1 input (line in / mic in, 3.5mm)			
	Output	N/A			1 output (line out, 3.5mm), mono sound			
	Audio bit rate (protocol)	N/A			G.711 / G.722.1 / G.726 / MP2L2 / PCM			
Camera Alarms	Intelligence	Motion detection, Face detection, Cross line detection (up to 4 lines), Intrusion detection (up to 4 regions), Privacy mask, Video tampering, Network disconnected, IP address conflict, Illegal login, HDD full, HDD error						
	Input/Output	N/A			1 in / 1 out (up to 12VDC, 30mA)			
Interoperability	Standard	ONVIF Profile (S, G), CGI, ISAPI						

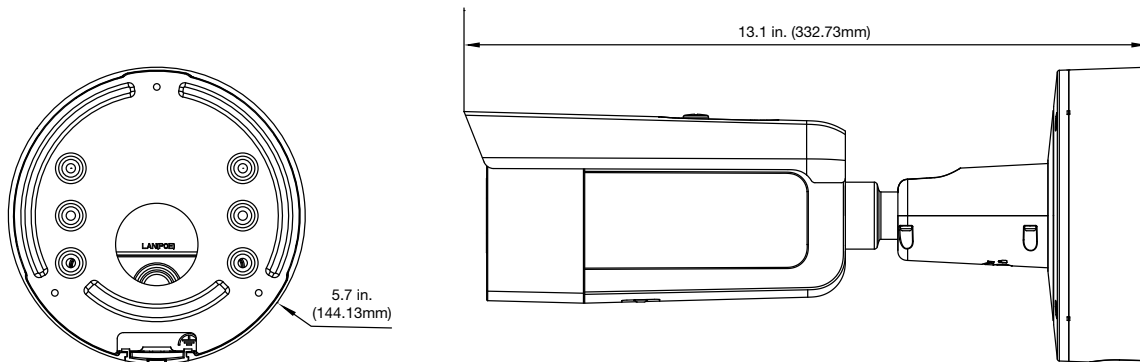
PART NO.		TVB-5601	TVB-5602	TVB-5603	TVB-5604	TVB-5605	TVB-5606
							
Display	Display Mode	Rotate mode, Saturation, Brightness, Contrast, Sharpness adjustable by client software or web browser					
	On Screen Display (OSD)	Text overlay					
Electrical/ Mechanical	Voltage Input	12VDC \pm 25%, PoE (IEEE 802.3-af)			12VDC \pm 25%, PoE+ (IEEE 802.3-at)		
	Power Consumption	12VDC, 0.5A, max. 6W PoE (802.3-af, 37V to 57V), 0.2A to 0.1A, max. 7.5W			12VDC, 1.2A, max. 14.5W PoE+ (802.3-at, 42.5V to 57V), 0.43A to 0.3A, max. 18W		
	Auxiliary Output	NA					
	Dimensions	2.76 x 6.1 in. (70 x 155.03mm)			5.7 x 13.1 in. (144.13 x 332.73mm)		
	Weight	0.9 lbs. (410g)			3.8 lbs. (1740g)		
Environmental	Storage Temperature	-22°F to +140°F (-30°C to +60°C)					
	Operating Temperature	-22°F to +140°F (-30°C to +60°C), Humidity 95% or less (non-condensing)					
	Environmental Rating	IP67					
	Vandal Rating	N/A			IK10		
Regulation	Compliance	EMC USA, EMC Europe, UL/cUL, WEEE, LVD, RoHS, REACH, China RoHS					

Dimensional Diagrams

TVB-5601, TVB-5602, TVB-5603 Fixed Lens Bullet Camera



TVB-5604, TVB-5605, TVB-5606 Motorized Varifocal Lens Bullet Camera
(mounting adapter plate included, image shown below)



2MPx, 4MPx and 8MPx (4K) IP Bullet IR Cameras

Series 6 IP Cameras



Ordering Information

TVB-5601	TruVision® 2MPx, H.265/H.264, IP Fixed Lens Bullet Camera, 4mm, True D/N, WDR, 30m IR, Micro SD/SDHC/SDXC Slot, PoE (802.3-af)/12VDC, IP67
TVB-5602	TruVision 4MPx, H.265/H.264, IP Fixed Lens Bullet Camera, 4mm, True D/N, WDR, 30m IR, Micro SD/SDHC/SDXC Slot, PoE (802.3-af)/12VDC, IP67
TVB-5603	TruVision 8MPx/4K, H.265/H.264, IP Fixed Lens Bullet Camera, 4mm, True D/N, WDR, 30m IR, Micro SD/SDHC/SDXC Slot, PoE (802.3-af)/12VDC, IP67
TVB-5604	TruVision 2MPx, H.265/H.264, IP VF Bullet Camera, 2.8~12mm Motorized, True D/N, WDR, 50m IR, Audio, I/Os, Micro SD/SDHC/SDXC Slot, PoE+ (802.3-at)/12VDC, IP67, IK10
TVB-5605	TruVision 4MPx, H.265/H.264, IP VF Bullet Camera, 2.8~12mm Motorized, True D/N, WDR, 50m IR, Audio, I/Os, Micro SD/SDHC/SDXC Slot, PoE+ (802.3-at)/12VDC, IP67, IK10
TVB-5606	TruVision 8MPx/4K, H.265/H.264, IP VF Bullet Camera, 2.8~12mm Motorized, True D/N, WDR, 50m IR, Audio, I/Os, Micro SD/SDHC/SDXC Slot, PoE+ (802.3-at)/12VDC, IP67, IK10

Accessories

For Fixed Lens Bullets (TVB-5601, TVB-5602, TVB-5603)

TVB-BB1	TruVision Bullet Back Box (for fixed lens bullet only)
TVB-2G-AD	TruVision Double Gang Box Adapter Plate (for fixed lens bullet or LWB wall mount)



interlogix.com

Specifications subject to change without notice.

© 2019 United Technologies Corporation.

All rights reserved.

Interlogix is part of UTC Climate, Controls & Security,
a unit of United Technologies Corporation.

2019/01 (GSP-2725)