

# NVR 71

576 Mbps / 128 Channel  
Network Video Recorder



## OVERVIEW

The Interlogix® TruVision® NVR 71 (TVN 71) is a high performance Network Video Recorder that supports up to 576 Mbps of incoming camera bandwidth, or up to 128 IP camera channels. Designed to accommodate large amounts of data, the NVR 71 is equipped with up to 96TB of embedded storage in a RAID configuration, or up to 96TB in a non-RAID configuration.

The NVR 71 delivers reliable performance and innovative features such as RAID, advanced camera settings, failover recording, hard drive grouping, network segregation and a large number of other network redundancy features. Utilizing TruVision Navigator Video Management Software, the NVR 71 can also be managed with a license-free standalone or client/host application. In addition, the browser interface offers full functionality for viewing, playback and configuration.

With the same user interface and mobile applications as other TruVision recorders, the NVR 71 can easily be setup and video easily viewed. The use of the TruVision Navigator software minimizes the training required for technicians, operators and other system users.



## STANDARD FEATURES

### Camera Support

- Up to 128 IP channels
- Up to 576 Mbps camera recording bandwidth
- IP camera configuration import/export
- Native TruVision IP camera support
- 3rd-party IP camera support via Onvif and RTSP Stream

### Recording Capabilities

- Linux embedded operating system configuration
- Real-time Full HD recording
- Custom protocol configuration (RTSP streaming)
- Motion detection, VCA, privacy masking and tamper detection
- Motion search supported on select TruVision IP camera models

### Storage

- Up to 96TB embedded storage (16 x 6TB) non-RAID
- Up to 96TB embedded storage (16 x 6TB) RAID
- RAID 0/1/5/6/10 support
- Flip-down front panel for easy HDD access, servicing and expansion

### High Fault-tolerant Design

- Network redundancy (NIC, port, network)
- Dual built-in PSUs with redundancy support
- Removable dual-fan module
- Recorder failover functionality  
(one failover unit per 4 operational recorders)

### Software & Integration Capabilities

- Full browser-based access for live, recording and configuration
- Free downloadable TruVision Navigator software
- TVRmobile app for Apple® iOS and Android™ mobile platforms

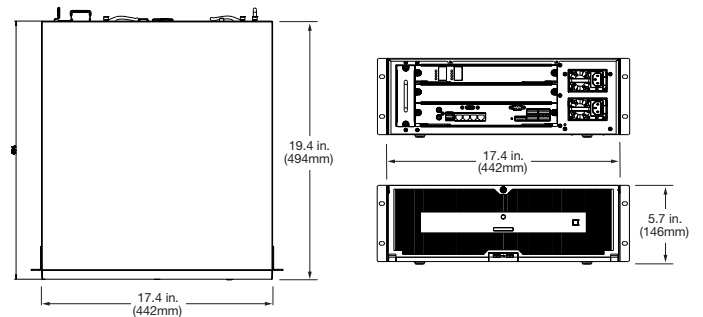
# NVR 71

576 Mbps /128 Channel Network Video Recorder

## Specifications

Video/Audio Input	Maximum Bandwidth Input	576 Mbps
	Maximum IP Camera Input	128 channels
	Maximum Bandwidth per Channel	16Mbps
	Video Standards Supported	H.265, H.264, RTSP custom protocols, ONVIF®
	Audio Input (IP)	Support for cameras with audio out - up to 128 channels
External Interfaces	Audio Input (analog, non recording)	1-ch, RCA (2.0 Vp-p, 1kΩ)
	Audio Output	1-ch, RCA (Linear, 600Ω)
	Serial Interface	1 RS-232 interface (configuration, maintenance, POS/ATM link)
	USB Interface	2 x USB 2.0 (front), 2 x USB 3.0 (back)
	Alarm Interface	16 inputs and 8 relay outputs
Recording	Recording Resolution	8MPx / 6MPx / 5MPx / 4MPx / 3MPx / 1080P / UXGA / 720P / VGA / 4CIF / DCIF / 2CIF / CIF / QCIF
	SATA	16 SATA interfaces
	Maximum Onboard Storage Capacity	96TB (non-RAID) / 96TB (RAID)
	Recording Modes	Time lapse high, Time lapse low, event, alarm, manual
	Dual Stream Recording	Up to 16 channels
	Auto-archiving	Yes
	RAID	0/1/5/6/10
	Hard Drive Grouping	Yes
	External Recording	eSATA, NAS, SAN
Networking	Network Interface	8 network interfaces (4 x RJ 45 / 4 x SFP)
	Network Ports	4 x RJ 45 & 4 x SFP
	NIC and Port Redundancy	Yes
	Multi-address Mode	Yes, up to 8 LANs
	ezDDNS/DDNS/no-IP.com	Yes
	Total Connections to Recorder (non-viewing)	256
	Total Viewing Streams Available Live	256
	Total Viewing Streams Available Playback	TCP: 128 / UDP: 16
	Total Viewing Streams Available per Camera Channel	128
Total Viewing Bandwidth Available	512 Mbps	
Web Browser	Playback Resolution	Up to 8 MPx (depending on monitor resolution)
	Simultaneous/Reverse Playback Browser	Same as normal playback
Electrical and Mechanical	Redundant Power Supply	2 x 100 ~ 240 VAC, 6.3 A, 50 ~ 60 Hz
	Power Consumption (without hard disk)	< = 140W
	Operating Temperature	32°F ~ 122°F (0°C ~ 50°C)
	Operating Humidity	10% ~ 90%
	Removable/Serviceable Fan	Yes
	Chassis	3U rack mountable
	Dimensions (W x D x H)	17.4 x 19.4 x 5.7 in. (442 x 494 x 146mm)
Weight (without hard disk)	35.3 lbs. (16kg)	
Operations	Remote	Browser interface / TruVision Navigator / TVRmobile / SDK
	Browser Requirements	Windows®: IE 9 / 10 / 11; Mac®: Safari®

## Dimensional Diagram



## Ordering Information

<b>TVN-7101-16T</b>	TruVision® NVR 71, 576 Mbps, 3U, 16TB
<b>TVN-7101-32T</b>	TruVision NVR 71, 576 Mbps, 3U, 32TB
<b>TVN-7101-48T</b>	TruVision NVR 71, 576 Mbps, 3U, 48TB
<b>TVN-7101-64T</b>	TruVision NVR 71, 576 Mbps, 3U, 64TB
<b>TVN-7101-96T</b>	TruVision NVR 71, 576 Mbps, 3U, 96TB
<b>TVN-7101R-16T</b>	TruVision NVR 71, RAID, 576 Mbps, 3U, 16TB
<b>TVN-7101R-32T</b>	TruVision NVR 71, RAID, 576 Mbps, 3U, 32TB
<b>TVN-7101R-48T</b>	TruVision NVR 71, RAID, 576 Mbps, 3U, 48TB
<b>TVN-7101R-96T</b>	TruVision NVR 71, RAID, 576 Mbps, 3U, 96TB

## Accessories

<b>TVN-HDD-6TB</b>	TruVision Recorder HDD Expansion Kit, 6TB
<b>TVN-HDDR-4TB</b>	TruVision Recorder HDD Expansion Kit, 4TB, RAID
<b>TVN-HDDR-6TB</b>	TruVision Recorder HDD Expansion Kit, 6TB, RAID
<b>TVN-7101-FAN</b>	TruVision NVR 71, Spare Part, Fan
<b>TVN-7101-PS</b>	TruVision NVR 71, Spare Part, Power Supply



interlogix.com

Specifications subject to change without notice.

© 2018 United Technologies Corporation.  
All rights reserved.

All trademarks are the property of their respective owners.  
Interlogix is part of UTC Climate, Controls & Security,  
a unit of United Technologies Corporation.

2018/11 (GSP-2644)