

3MPx and 8MPx (4K) IP Dome IR Cameras

Series 5 IP Open Standards Cameras



OVERVIEW

TruVision® IP Megapixel Dome IR Cameras by Interlogix bring high-definition images to the mass video surveillance market. With 3MPx or 8MPx (4K) resolution options, these cameras provide flexibility for a wide variety of applications.

The IP Megapixel Dome IR Cameras adhere to ONVIF® Profile G and S open communications standards as well as CGI command set support for simple integration into standard IP systems. By utilizing an integrated browser and micro SD memory card storage capability, these cameras simplify remote, live monitoring/playback of edge-recorded audio and video. Memory card recording also helps protect data in the event of network disruptions

Cross line, intrusion, object, unattended baggage, and face detection features provide additional flexibility when monitoring key areas of a facility. These features allow you to be alerted when key exceptions are triggered, reducing the amount of time and effort required when responding to alarms.

STANDARD FEATURES

Video

- 3MPx or 8MPx (4K) resolution options
- H.265/H.264/MJPEG (on substream) compression with triple-streaming capability
- 2.8mm fixed lens
- ONVIF Profile G and S open communications standards compatibility

Video Enhancement

- Hallway view, ROI (Region of Interest) on main and substream
- WDR 120 dB
- True D/N functionality and infrared illuminators
- Up to 98 ft. (30m) IR range - with on/off settings

Video Alarms

- Integrated motion and tamper detection, privacy masking
- Detection for cross line, intrusion, object, unattended baggage, face detection

Audio and Edge Recording

- Edge recording on up to 128GB micro SD/SDHC/SDXC card for video playback (Card not included)

Installation and Environment

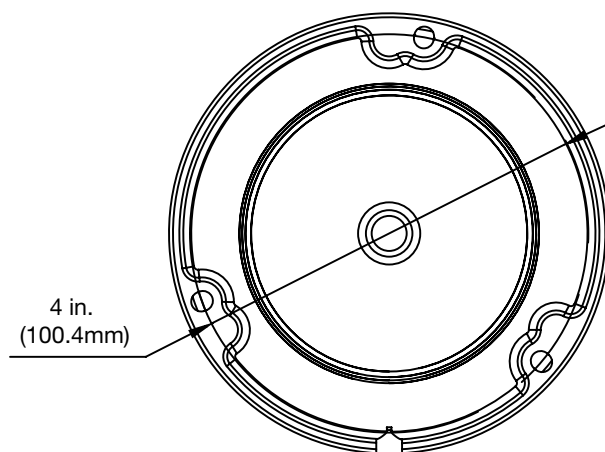
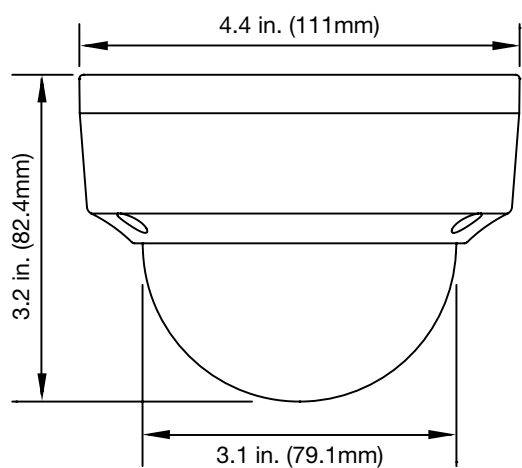
- IP67 Environmental rating
- TruVision Device Manager software to access newly added system devices
- Cable management back box available as an accessory

Warranty

- 3-year warranty

Dimensional Diagrams

TVD-5501, TVD-5502 Dome Camera



Specifications

PART NO.		TVD-5501	TVD-5502	
				
Housing		Gray		
Camera	Sensor	1/2.8" Progressive Scan CMOS		
	Resolution	3MPx	8MPx (4K)	
	Day/Night	IR cut filter		
	IP Compression/Standard	H.265 / H.264 / MJPEG		
	Main Stream	H.265 / H.264		
	Substream	H.265 / H.264 / MJPEG		
	3rd Stream	H.265 / H.264		
	Multiple Streaming	Triple Stream		
	Maximum Resolution	2048 x 1536 @ 25/30fps	3840 x 2160 @ 20fps	
	Main Stream Real-Time Resolution	2048 x 1536, 1920 x 1080, 1280 x 720 @ 25/30fps		
	Substream Real-Time Resolution	640 x 360, 352 x 288 @ 25fps; 640 x 360, 352 x 240 @ 30fps		
	3rd Stream Real-Time Resolution	1280 x 720 @ 25/30fps		
	Video Bit Rate	32 Kbps - 16 Mbps		
	Wide Dynamic Range	WDR (120 dB)		
	Digital Noise Reduction	3D-NR		
	Minimum Illumination	0.009 lux @ f1.6, AGC On; 0 lux with IR	0.028 lux @ f2.0, AGC On; 0 lux with IR	
	Digital S/N Ratio	50 dB (AGC Off)		
Auto Exposure (shutter)	1/3s~1/100,000s			
Lens	2.8mm @ f1.6, horizontal field of view: 98°	2.8mm @ f2.0, horizontal field of view: 102°		
Focus	Fixed			
IR Range	Up to 98 ft. (30m)			
Video Output	N/A			
Video Connector	N/A			
Network	Ethernet Port	1 RJ45 10/100 Mbps Auto-negotiate		
	Network Protocols	TCP/IP, HTTP, DHCP, DNS, DDNS, ezDDNS, RTP, RTSP, PPPoE, SMTP, NTP, SNMP, HTTPS, FTP, 802.1x, Qos, IPv6		
Local Storage	Media	Micro SD/SDHC/SDXC slot		
	Capacity	128GB (card not included)		
Audio	Input	1 Line-in		
	Output	1		
	Audio bit rate (protocol)	G.722.1, G.711ulaw, G.711alaw, MP2L2 and G.726		
Camera Alarms	Intelligence	Motion Detection, Tamper Detection, Privacy Mask, Intrusion Detection (up to 4), Cross Line (up to 4), Unattended Baggage, Object Removal		
	Input/Output	1 in /1 out		
Interoperability	Standard	ONVIF Profile (G,S), PSIA, CGI, ISAPI		
Display	Display Mode	Flipped horizontally (up/down), vertically (right/left) or centered, Hallway view, ROI (Region of Interest) on main and substream		
	On Screen Display (OSD)	Text overlay		
Electrical/Mechanical	Voltage Input	12VDC, PoE (IEEE 802.3-af)		
	Power Consumption	6W	7W	
	Auxiliary Output	N/A		
	Current	0.56A	0.65A	
	Dimensions	4.4 x 3.2 in. (111 x 82.4mm)		
	Weight	1.1 lbs. (500g)		
Environmental	Storage Temperature	-22°F~ 140°F (-30°C~60°C)		
	Operating Temperature	-22°F~ 140°F (-30°C~60°C), Humidity <95% (non-condensing)		
	Environmental Rating	IP67		
	Vandal Rating	IK10		
Regulation	Compliance	EMC USA, EMC Europe, UL/cUL, WEEE, LVD, RoHS, REACH, China RoHS		

3MPx and 8MPx (4K) IP Dome IR Cameras

Series 5 IP Open Standards Cameras



Ordering Information

TVD-5501	TruVision® 3MPx, H.265/H.264, Low Light IP Fixed Lens Dome Camera, 2.8mm, True D/N, WDR, 30m IR, Micro SD/SDHC/SDXC Slot, Audio, I/Os, PoE (802.3-af)/12VDC, IP67, IK10
TVD-5502	TruVision 8MPx/4K, H.265/H.264, IP Fixed Lens Dome Camera, 2.8mm, True D/N, WDR, 30m IR, Micro SD/SDHC/SDXC Slot, Audio, I/Os, PoE (802.3-af)/12VDC, IP67, IK10

Accessories

DR-RWM	Wall Mount (use w/DR-RWM-AD Adapter)
DR-RWM-AD	Adapter for TVD Plastic Dome for DR & TVD-M2-WM Wall Mount Bracket
TVD-BB1	TruVision Dome Back Box (use with fixed lens dome)
TVD-CB3	TruVision Dome 3-inch Cup Base (use w/TVD-IP, TVD-SNB, TVD-PPB)
TVD-LWB-1	TruVision Dome Bracket, L-shape
TVD-LWB-AD	TruVision LWB Bracket Adapter to TVD-SNB-BB
TVD-LWB-S	TruVision Dome Shield (use w/TVD-LWB-1)
TVD-M2-WM	TruVision Dome Wall Mount (use w/DR-RWM-AD Adapter)
TVD-M-CMA	TruVision Corner Mount Adapter (use w/TVD-SNB Swan Neck, TVD-M2-WM Wall Mount)
TVD-M-PMA	TruVision Pole Mount Adapter (use w/TVD-SNB Swan Neck, TVD-M2-WM Wall Mount)
TVD-PPB	TruVision Pendant Mount Bracket (use w/TVD-CB3)
TVD-SNB	TruVision Dome Swan Neck Bracket (use w/TVD-CB3 Cup Base)
TVD-SNB-BB	TruVision TVD-SNB Back Box, 4-directional Conduit, Indoor & Outdoor



interlogix.com

Specifications subject to change without notice.

© 2017 United Technologies Corporation.

All rights reserved.

Interlogix is part of UTC Climate, Controls & Security,
a unit of United Technologies Corporation.

2017/10 (GSP-2408)