

# FireFighter™ Wireless Smoke Alarm Monitor and Relay Device



## OVERVIEW

FireFighter™ from Interlogix is an easy and cost-effective solution to connect existing smoke detectors to alarm systems wirelessly. FireFighter's unique technology monitors the alarm activity of existing UL smoke detectors. When an alarm is detected, a wireless signal is sent to the control panel which in turn notifies the central monitoring station. With interconnected hardwired smoke detectors found in most homes today, only one FireFighter is needed to monitor these detectors.

## Specifications

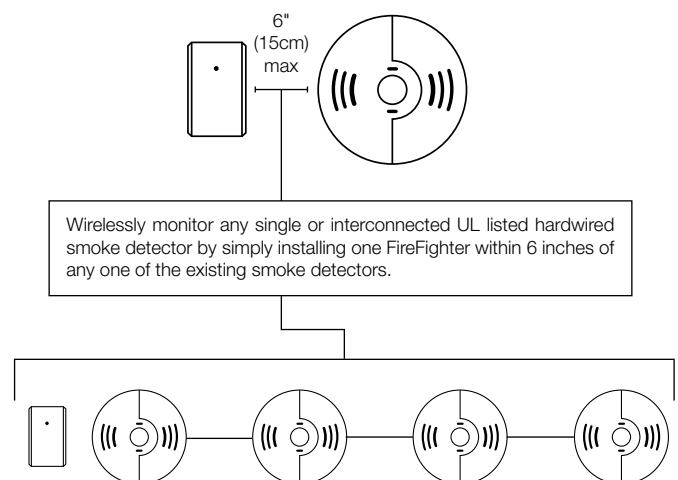
Compatibility	Any UL smoke detector including interconnected smoke detectors
Frequency	319.5MHz
Battery	3V lithium CR123A
Battery Life	4 years
Detection Distance	6 in. (15cm) max
Operating Temperature	32°F (0°C) to 120°F (49°C)
Operating Humidity	5-95% RH non condensing
Supervisory signal interval	64 min. (approx.)
Dimensions (WxHxD)	1.6 x 2.9 x 0.0 in. (4.1 x 7.3 x 0.0 cm)

## Ordering Information

SLX-AD-T3	FireFighter Wireless Smoke Alarm Monitor and Relay Device
-----------	---

## STANDARD FEATURES

- Monitors any UL existing smoke detector
- Does not impact UL or Fire Marshall approval of existing smoke detectors
- Works with all Interlogix Learn Mode Panels: Simon® XT, Simon XTi, NetworX (NX-4, NX-6, NX-8, NX-8E), Concord® 4, Concord Express, Advisor®One and ZeroWire™
- Uses one CR123A long-life lithium battery
- FCC, IC and ETL listed in US and Canada to UL 985 standard



interlogix.com

Specifications subject to change without notice.

© 2016 United Technologies Corporation.  
All rights reserved.

All trademarks are the property of their respective owners.  
Interlogix is part of UTC Climate, Controls & Security  
a unit of United Technologies Corporation.

2016/01 (LI-1299)