

[www.GESecurity.com](http://www.GESecurity.com)

## **ProBridge 2**

*Interfaces between GE Security DVMRe units and PTZ receiver/drivers and domes*

### **Overview**

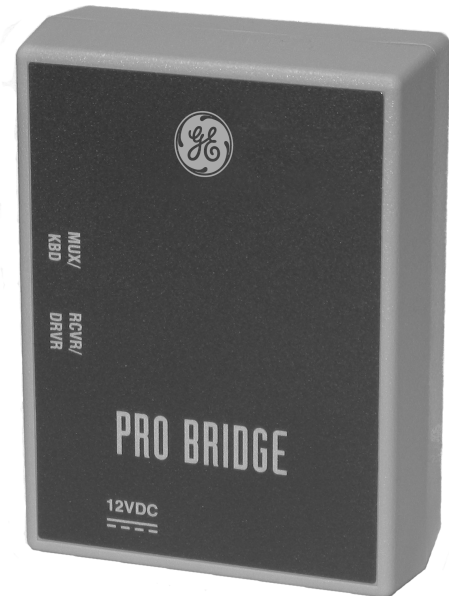
The ProBridge 2 line provides an interface between GE Security's DVMRe family of digital video multiplexer/recorders and selected pan/tilt/zoom domes and receiver/drivers, including GE Security's CyberDomes.

### **Outstanding Features**

ProBridge 2 units are used in situations where you would like to have remote control of pan/tilt/zoom functions. Remote control is typically through a local and/or network-connected PC running WaveReader software, without local keypad control.

The ProBridge line works by converting RS-485 output from the DVMRe units to various PTZ protocol outputs. In the case of the CBR-PB2-KA2, the conversion from the DVMRe is to RS-422 protocol read by the CyberDome. Other ProBridge 2s convert RS-485 into specific manufacturer protocols.

In addition to working with GE Security dome cameras, ProBridge 2 units also exist that convert to protocols readable by Panasonic, Pelco, Philips, and Sensormatic.



### **Standard Features**

- **Connect GE Security DVMRe units and PTZ receiver/drivers and dome cameras without using a local keypad for control**
- **Converts RS-485 protocol into output readable by CyberDome cameras**
- **Units work with domes and receiver/drivers from other manufacturers**

# ProBridge 2

Interfaces between GE Security DVMRe units and PTZ receiver/drivers and domes

## Specifications

### Electrical

- Input voltage: 12 VDC
- Power consumption: 110 mA
- Power supply: Included

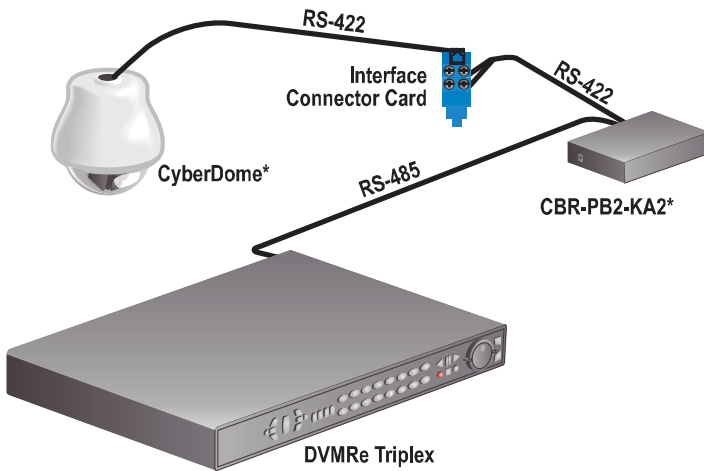
### Environmental

- Operating temperature: 32 to 104°F (0 to 40°C)
- Relative humidity: 90% noncondensing

### Physical

- Dimensions (HxWxD): 4.4 x 3.3 x 1.5 in. (112 x 84 x 38 mm)
- Weight: 4.8 oz. (136 g)
- Housing construction: Plastic
- Color: Light gray

## Related Diagram



\* This diagram shows the ProBridge 2 KA2 and GE Security's CyberDome. Select the appropriate ProBridge 2 for the manufacturers' dome you wish to use. For complete configuration details, please contact your sales or technical support representative.

## Ordering Information

### CBR-PB2-

- KA2** ProBridge for GE Security CyberDomes
- PA** ProBridge for Panasonic
- PE** ProBridge for Pelco
- PH** ProBridge for Philips
- SEN** ProBridge for Sensormatic



Mailing Address  
4575 Research Way, STE 250  
Corvallis, OR 97333 USA

Americas  
800-469-1676 (US only)  
tel 541-754-9133  
fax 541-754-7162

Asia  
tel 852-2907-8108  
fax 852-2142-5063

Europe  
tel 32-2-725-11-20  
fax 32-2-721-86-13

[www.GESecurity.com](http://www.GESecurity.com)

Australia  
tel 61-3-9259-4700  
fax 61-3-9259-4799

Latin America  
tel 305-593-4301  
fax 305-267-4300