

Specifications & Instructions

MOOSE MPI-206

Relay Board

FEATURES

The MPI-206 is a universal relay board that operates from a security panel's auxiliary power. The relay is triggered by either a positive or negative-going voltage input. Triggering voltage can have a source as low as 3 mA. The output of the MPI-206 is a Form C (single pole double throw) relay. The contacts are 'wet' and the common is tied to the auxiliary voltage of the control panel. Dry contact applications can be achieved by merely cutting a jumper.

SPECIFICATIONS

- 12 V operation
- Wet or Dry contact output
- Positive or Negative triggering
- Fits standard MOOSE Snap Trak HA211
- Triggers with as little as 3 mA
- Relay contacts rated 2 amps 30 VDC resistive loads
- Power Ratings: 50mA @ 12 Vdc

INSTALLATION

STEP 1: Connect Auxiliary power and a Negative power lead to terminals marked +12 V and NEG.

STEP 2: Determine if the control panel has negative or positive going outputs. If positive, connect panel to the terminal marked TG+. For negative outputs, use the TG- terminal. **DO NOT** short circuit these two terminals.

STEP 3: For dry contact operation, cut the jumper with the down arrow pointing to it.

NOTE: Intended to be used with listed compatible control units as indicated in the control unit manufacturer's installation instructions.

NOTE: To be installed within the metal control unit enclosure away from other circuitry.

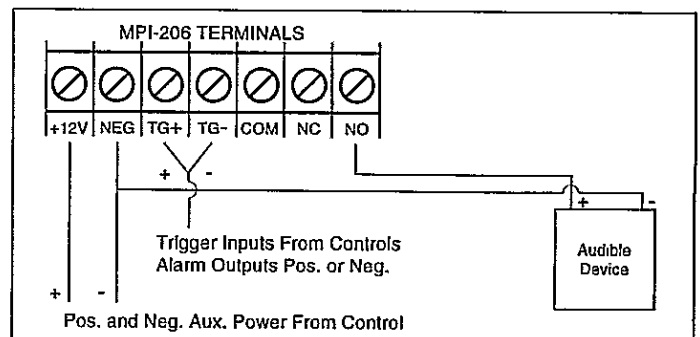
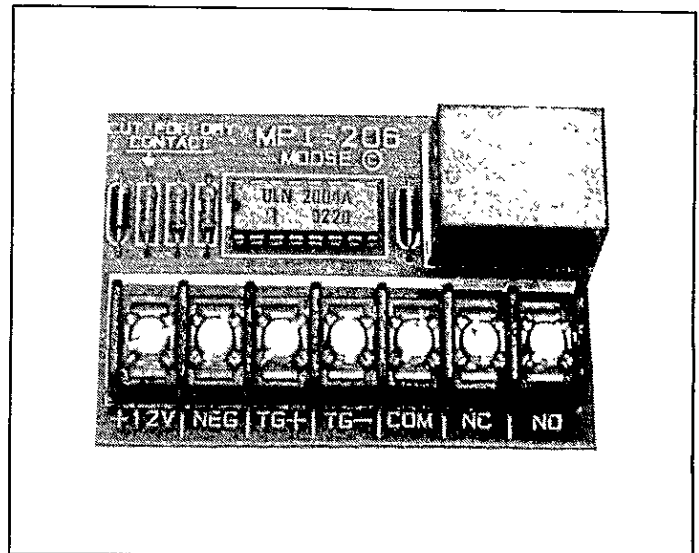


Figure 1 - Typical Audible Connection

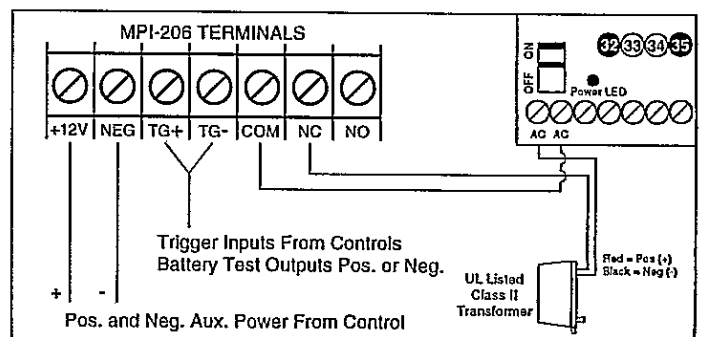


Figure 2 - Typical Low Battery Indication Connection

MOOSE



A PRODUCT OF SENTROL, INC

SENTROL CONTROLS GROUP
PO Box 2904
1510 Tate Blvd. SE
Hickory, NC 28603
Sales: 800.547.2556
Fax: 503 691.7566
Technical Support: 800.800.2027

Sentrol, Inc. reserves the right
to change specifications
without notice.
©1995 Sentrol, Inc.

64812576B