

www.GESecurity.com

KTD-125 PTZ Receiver

Overview

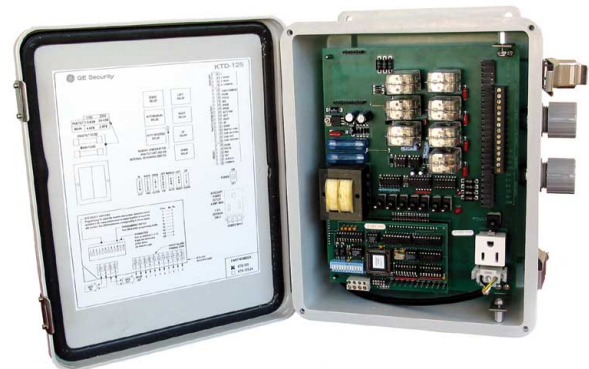
The KTD-125 is a weatherproof PTZ (pan/tilt/zoom) receiver designed to drive a 6 to 12 V motorized lens and a medium or heavy duty pan/tilt unit with 115 VAC motors. The KTD-125's internal circuit panel consists of a main relay board, a plug-in decoder card, and removable terminal strips for cable connections. The circuit panel is enclosed in a weatherproof fiberglass housing and is mounted on swivel pins, which enable it to swing sideways to provide easy access to the rear of the housing. Watertight connectors are provided for pan/tilt and camera housing cables.

Outstanding Features

The KTD-125 is controlled via twisted-pair cable from one or more remote Digiplex® keypads. To facilitate servicing, local switches are provided to enable direct operation of control functions at the receiver site. All relays and ICs are socketed for easy removal and replacement.

Microprocessor-based circuitry enables mode-of-operation programming by either a remote keypad or the receiver's DIP switch. Among the choices are lens voltage, lens polarity, and autopan mode (50 percent duty cycle, random scan, continuous pan). All programmed data is stored in nonvolatile memory.

The KTD-125 PTZ receiver will drive a 6 to 12 V motorized lens and a medium or heavy duty pan/tilt unit with 115 VAC motors. This enables users to control other manufacturers' PTZ units with a Digiplex keypad.



Standard Features

- **Drives 115 VAC pan/tilt motors**
- **Easily removable PC board**
- **On-site control switches**
- **Corrosion-proof housing**
- **Solid state lens circuitry: 6 to 12 V**
- **Three autopan modes**
- **Preset position option with local alarm inputs**
- **Auxiliary relay outputs**
- **Accommodates most manufacturers' pan/tilt units**



KTD-125

PTZ Receiver

Specifications

Electrical

- Input voltage: 115 VAC, 50 to 60 Hz (220 VAC with E4 option)
- Input power: 8.0 VA (external equipment excluded)
- Input data signal: RS422
- Output voltage lens: ± 6 or 12 VDC, programmable
- Output voltage pan/tilt drive: 115 VAC (220 VAC with E4 option)
- Output voltage camera power: 115 VAC (220 VAC with E4 option)
- Relay contact rating: 7.5 A at 120 VAC

Functions

- Zoom in, zoom out, focus near, focus far, iris open, iris close, pan left, pan right, tilt up, tilt down, auto pan (100%, 50%, and random), auxiliary latching relay

Controls

- Power: DPST toggle switch
- Function controls: SPDT toggle switches
- Site select: Multi-position DIP switch
- Auto reverse mode: Jumper selectable

Connections

- Input signal: Four-position terminal strip
- Power input: 3-pin locking connector
- Outputs: 15-position removable terminal strip

Mechanical

- Weight: 6.4 lb (2.9 kg)
- Enclosure: Gray fiberglass. When fitted with watertight seal devices, this enclosure meets NEMA 3, 4X, and 12 specifications.

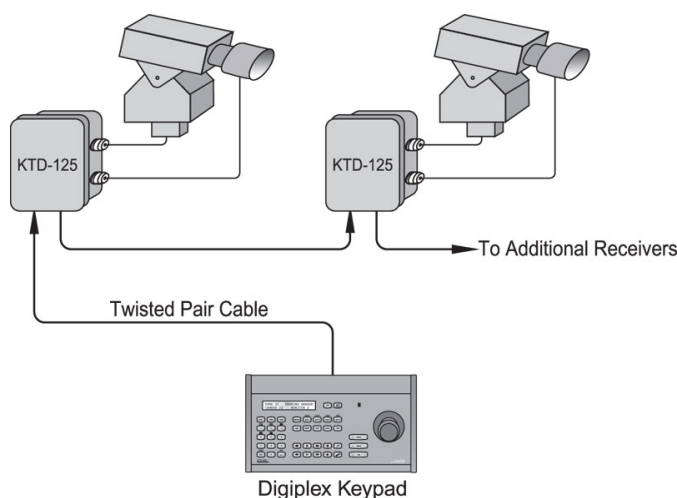
Options

- Preset positioning (P): The KTD-125 will accommodate preset pan, tilt, zoom, and focus positioning.
- 220 VAC voltage (E4): Operates the KTD-125 from a 220 VAC power source.

Accessories

- KTD-88 wiper washer card: This small circuit card plugs into the KTD-125's auxiliary port and provides two dry contact relays that are used to operate washer and wiper motors for the site's camera housing. The contacts are SPDT (Form A) and are rated for 0.5 A at 120 VAC.

Related Diagram



Ordering Information

KTD-125

Blank KTD-125
P Add preset pan/tilt/zoom and focus positioning
E4 220 VAC power source



GE Security

Mailing Address
4575 Research Way, STE 250
Corvallis, OR 97333 USA
www.GESecurity.com

Americas
800-469-1676 (US only)
tel 541-754-9133
fax 541-754-7162

Asia
tel 852-2907-8108
fax 852-2142-5063
Australia
tel 61-3-9259-4700
fax 61-3-9259-4799

Europe
tel 32-2-725-11-20
fax 32-2-721-86-13
Latin America
tel 305-267-4301
fax 305-267-4300

www.GESecurity.com