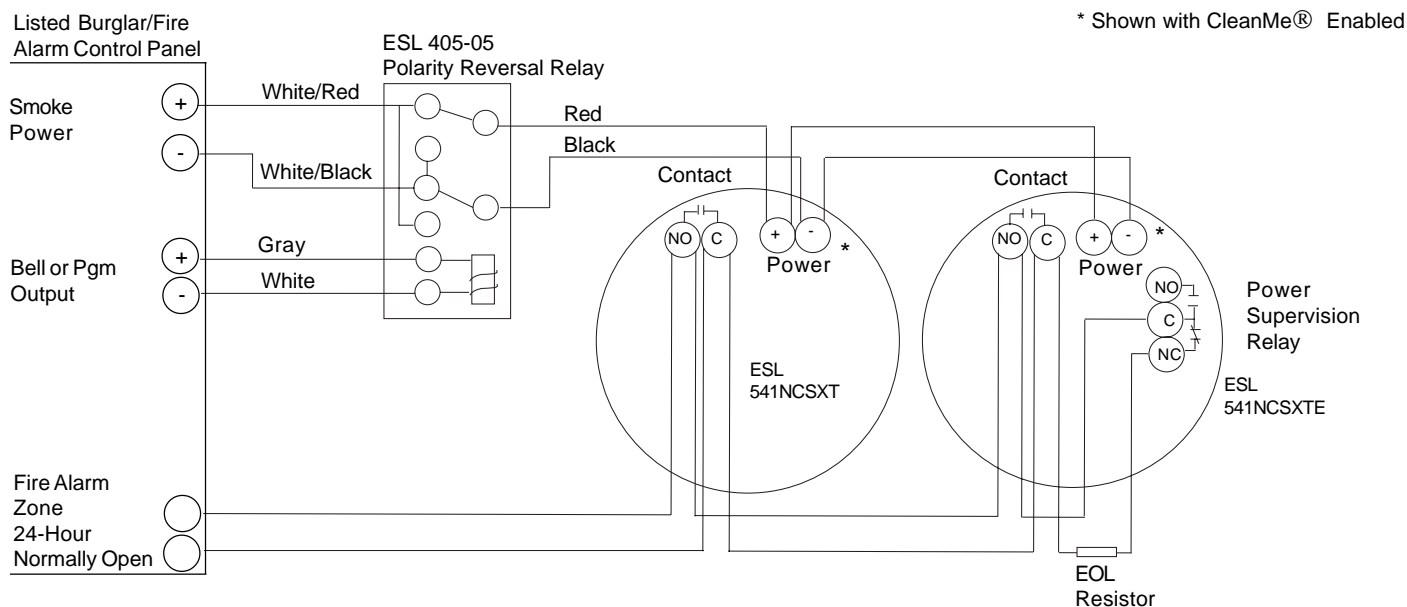


Technical Note

Wiring Configurations for Using Relay Modules with 500N Series Smoke Detectors

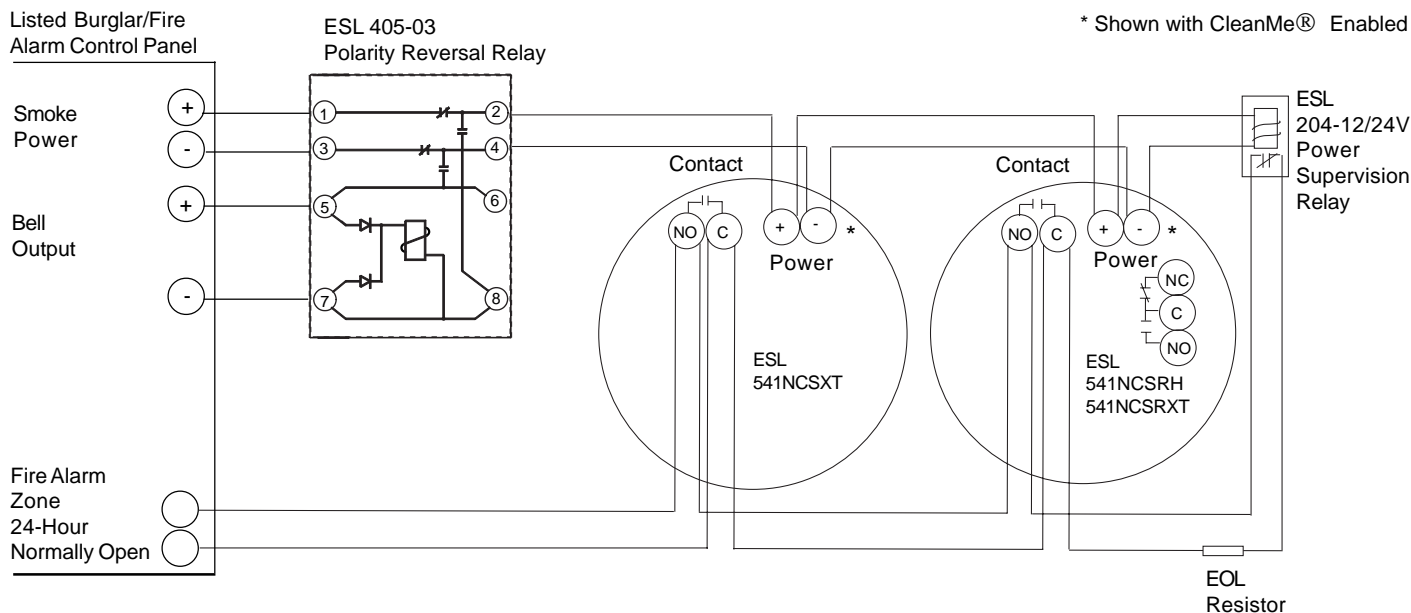
Using a 405-05 Relay Module with 4-Wire 500N Series Smoke Detectors

ESL 405-05 polarity reversal relay modules are designed for use with ESL smoke detectors that have built-in sounders. On alarm, the module applies reverse polarity to the detectors activated by the bell or programmable output. Applying reverse polarity causes the sounders on detectors not in alarm to activate.



Using a 405-03/405-01 Relay Module with 4-Wire 500N Series Smoke Detectors

ESL 405-03/405-01 polarity reversal relay modules are designed for use with ESL smoke detectors that have built-in sounders. On alarm, the module disconnects the detectors from their normal power supply and applies reverse polarity from the notification appliance circuit. Applying reverse polarity causes the sounders on detectors not in alarm to activate.



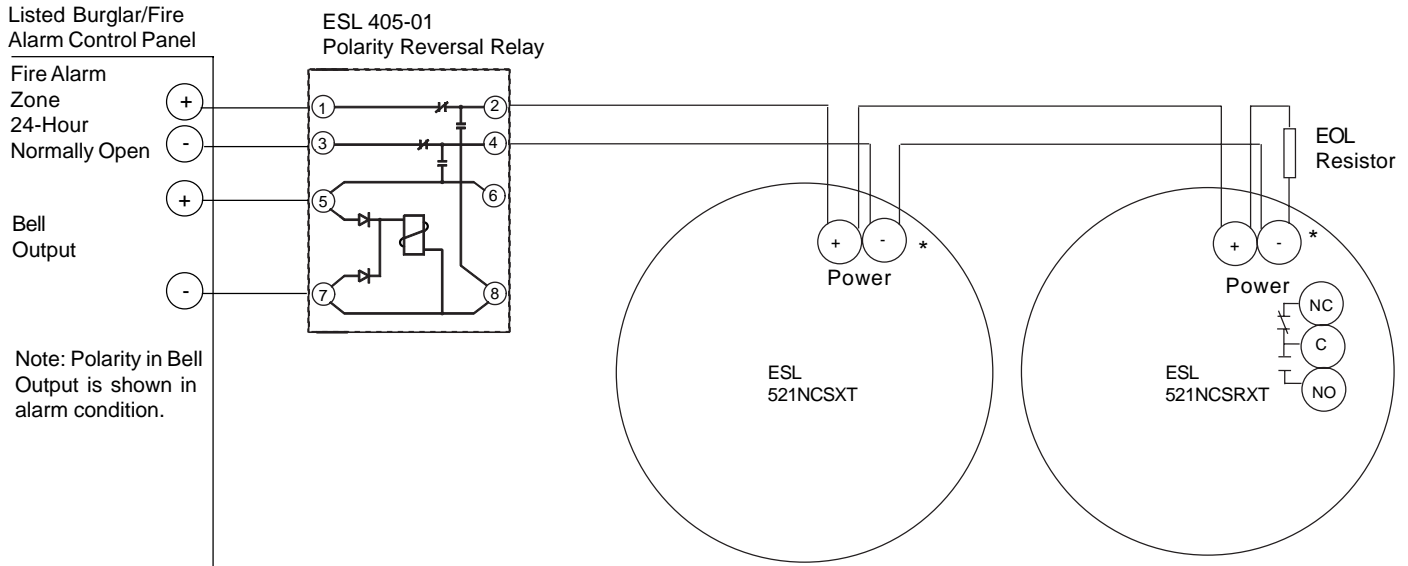
WARNING !

The 405 relay modules may not be compatible with all power supervision relays. When using this device on 4-wire circuits, use the ESL 204 series power supervision relay at the end-of-line. An ESL smoke detector with a sounder that incorporates an end-of-line/sensitivity relay output may also be used.

Using a 405-03/405-01 Relay Module with 2-Wire 500N Series Smoke Detectors

ESL 405-03/405-01 polarity reversal relay modules are designed for use with ESL smoke detectors that have built-in sounders. On alarm, the module disconnects the detectors from their normal power supply and applies reverse polarity from the notification appliance circuit. Applying reverse polarity causes the sounders on detectors not in alarm to activate.

* Shown with CleanMe® Enabled



Note: The 405-03, 405-01, and 405-05 modules can be used with 4-wire 500N detectors, but only the 405-03 and the 405-01 can be used with 2-wire 500N detectors.