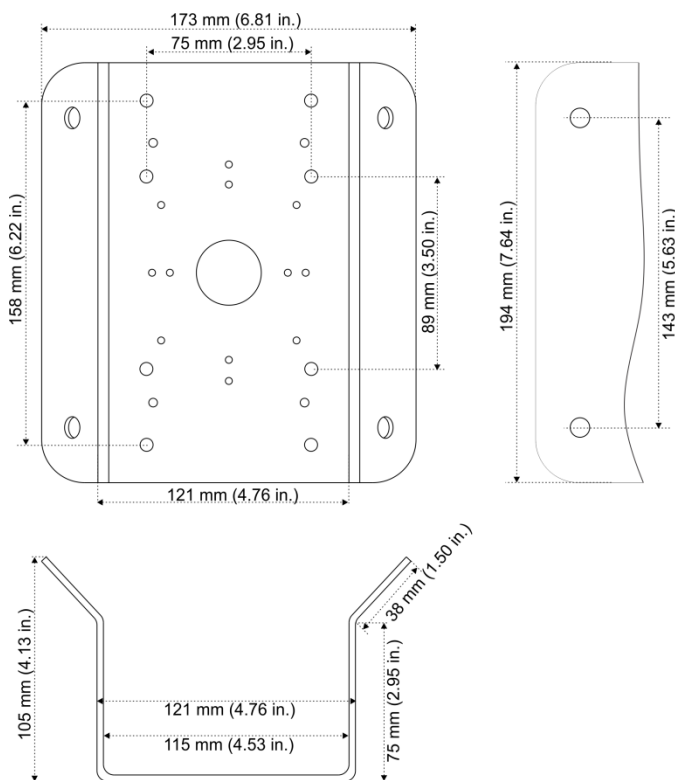


TruVision TVD-M-CMA Corner Mount Adapter Installation Instructions

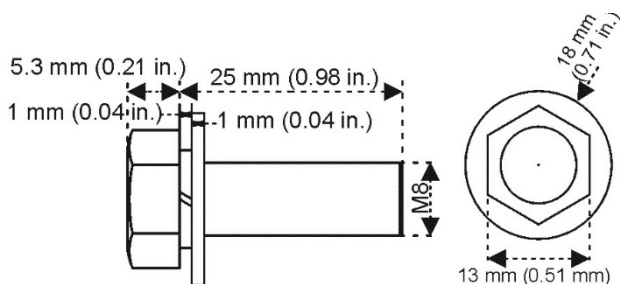
Dimensions

Dimensions: 194 × 173 × 105 mm
(7.64 × 6.81 × 4.13 in.)



Accessories:

Screw A: SC-HSFM8×25-SUS, five pieces with flat washer. (Used to install a TruVision wall mount to the corner mount adapter.)



Anchor B: Expansion anchor, five pieces (Used to install the corner mount adapter to the mounting surface.)



Weight: 1.81 kg (3.99 lb.)

Supported brackets

The corner mount adapter can be used with the following wall mounts:

Wall mount brackets: TVD-SNB, TVD-M2-WM

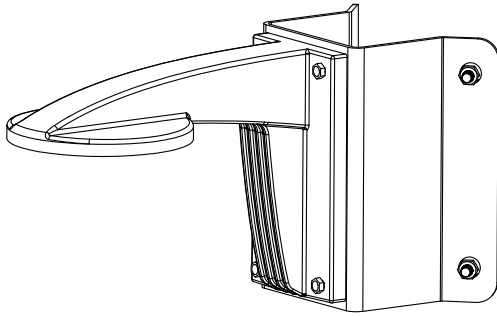
Installation

For detailed instructions, refer to the installation guide for the camera that you are installing. The following requirements are mandatory precautions.

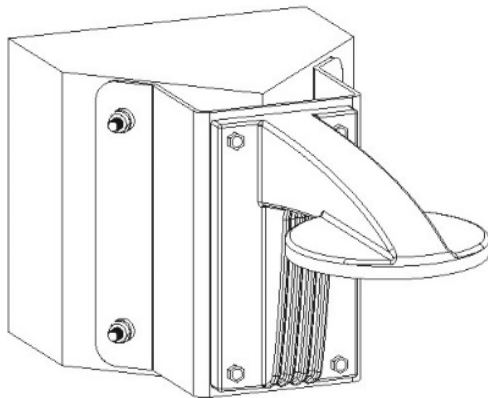
- The wall must be thick enough to install the expansion anchors.
- Ensure that the wall is strong enough to withstand more than eight times the weight of the camera, wall mount, and corner mount adapter.

To attach a wall mount to the corner mount adapter (TVD-M-CMA):

1. Install the wall mount on the corner mount adapter with screw A.





2. Mark the surface and drill four mounting holes. Install the corner mount adapter to the corner of a building using anchor B. Route the cables through the wall mount before bolting the corner adapter to the mounting surface.



3. To complete the installation, refer to the installation instructions for the specific wall mount.

Legal information

| | |
|------------------------|--|
| Copyright | © 2019 United Technologies Corporation. All rights reserved. Interlogix is part of UTC Climate, Controls & Security, a unit of United Technologies Corporation. |
| Disclaimer | Information in this document is subject to change without notice. No part of this document may be reproduced or transmitted in any form or by any means, electronic or mechanical, for any purpose, without the express written permission of UTC Fire & Security Americas Corporation, Inc. |
| Trademarks and patents | The trade names used in this document may be trademarks or registered trademarks of the manufacturers or vendors of the respective products. |
| Manufacturer | Interlogix. 2955 Red Hill Avenue, Costa Mesa, CA 92626 5923, USA Authorized EU manufacturing representative: UTC Fire & Security B.V. Kelvinstraat 7, 6003 DH Weert, The Netherlands |
| Certification |   |

| | |
|-----|--|
| cUL | <p>Safety Instructions (English): Improper use or replacement of the battery may result in explosion hazard. Replace with the same or equivalent type only. Dispose of used batteries in conformance with the local codes.</p> <p>Instructions de sécurité : L'utilisation ou le remplacement inadéquats de la pile peuvent entraîner un risque d'explosion. Remplacez-la par le même type ou l'équivalent du même type seulement. Jetez les piles usagées conformément aux directives fournies par le fabricant de la pile.</p> |
|-----|--|

| | |
|----------------------------------|---|
| Product warnings and disclaimers | <p>THESE PRODUCTS ARE INTENDED FOR SALE TO AND INSTALLATION BY QUALIFIED PROFESSIONALS. UTC FIRE & SECURITY CANNOT PROVIDE ANY ASSURANCE THAT ANY PERSON OR ENTITY BUYING ITS PRODUCTS, INCLUDING ANY "AUTHORIZED DEALER" OR "AUTHORIZED RESELLER", IS PROPERLY TRAINED OR EXPERIENCED TO CORRECTLY INSTALL FIRE AND SECURITY RELATED PRODUCTS.</p> <p>For more information on warranty disclaimers and product safety information, please check www.firesecurityproducts.com/policy/product-warning/ or scan the following code:</p> |
|----------------------------------|---|



| | |
|--|--|
| Contact information and manuals / tools / firmware | <p>For contact information and to download the latest manuals, tools, and firmware, go to the web site of your region.</p> <p>Americas: www.interlogix.com EMEA: www.firesecurityproducts.com Manuals are available in several languages Australia/New Zealand: www.utcfs.com.au</p> |
|--|--|