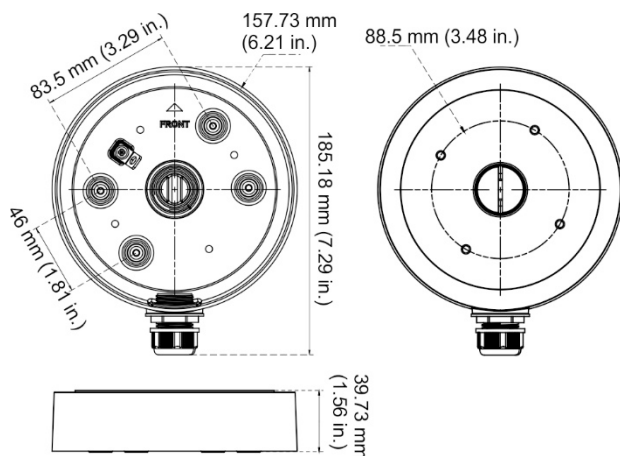


# TVP-CBB Compact PTZ Back Box Installation Instructions

## Specifications

**Dimensions:** 157.73 × 39.73 mm (6.21 × 1.56 in.)

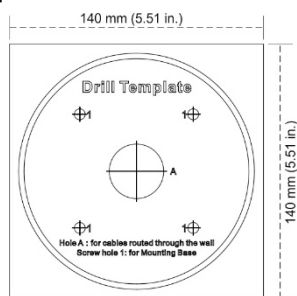


Metal adapter plate (included with the PTZ), 1 cable gland (located on the side of the back box), and 1 plug (located on the base of the back box) are included.

**Weight:** 450 g (0.99 lbs.)

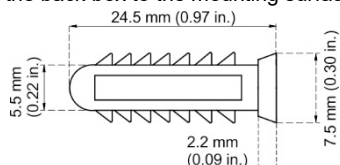
### Accessories:

Drill template: 1 pcs



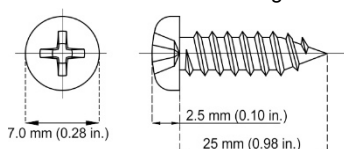
Drywall anchors: 4 pcs

Used to install the back box to the mounting surface.



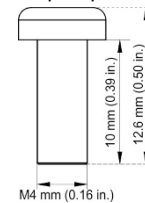
Screw A: 4 pcs

Used to install the back box to the mounting surface.



Screw B: 4 pcs

Used to install the metal adapter plate to the back box.



## Supported cameras

The compact PTZ camera back box can be used with following cameras:

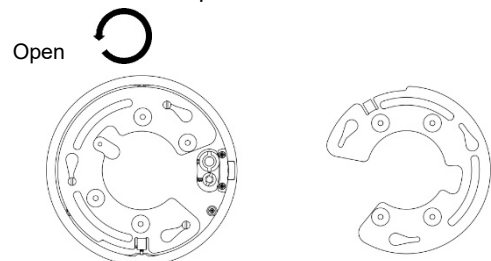
IP Compact PTZ Camera:	TVP-5103
------------------------	----------

## Installation

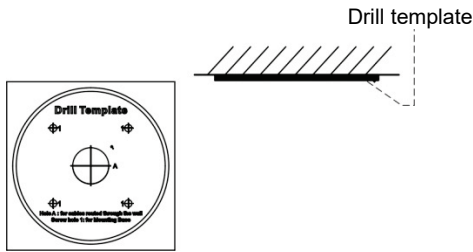
The PTZ was not designed to be mounted to a wall. It should be mounted to a ceiling. The bubble assembly should be pointing towards the ground.

**To install the TVP-5103 PTZ camera on a ceiling using the TVP-CBB:**

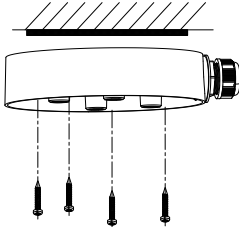
- Using the Torx wrench that is supplied with the PTZ, loosen the locking screw at the base of the PTZ. Loosen slightly the three screws/standoffs on the base of the PTZ camera and rotate the metal adapter plate counterclockwise to separate it from the PTZ camera.



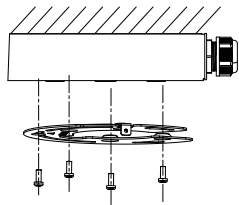
- Prior to drilling the mounting holes, decide where the interconnect cable access is to be located. If exiting the side of the back box, positioning the back box may vary. Align the cable access/cable gland in the desired direction. If the interconnect cables will be exiting the bottom of the back box, also provide a hole in the mounting surface for cable exit.



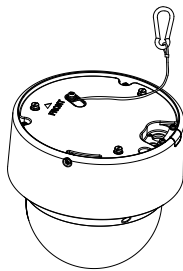
- Align the four holes in the mounting surface with the screw holes in the back box. Secure the back box to the mounting surface using the A screws.



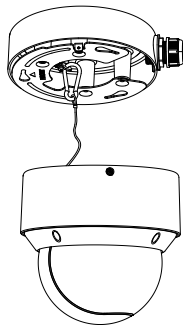
- Install the mounting plate to the back box using the B screws. Place the metal adapter plate on the back box, the metal tab for the locking screw should be facing up/away from the back box. Tighten screw B fully. Otherwise, the dome will not slide properly into place over the three standoffs, and the screw head will block the rotation.



- Attach the safety lanyard to the base of the PTZ camera. It is important to make sure that the lug, at the end of the safety lanyard, is contained within the recessed area of the PTZ base. Otherwise, it will not allow you to lock the PTZ to the adapter plate

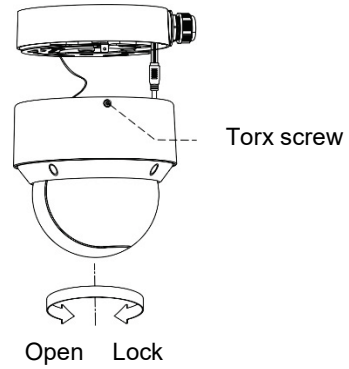


- Hook the other side of the safety lanyard to the metal tab in the back box.

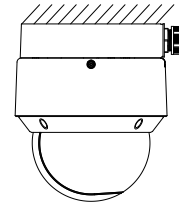


- Route the cables through the cable access hole.
- Align the PTZ camera with the standoffs on the mounting plate. Rotate the PTZ camera clockwise on the mounting

plate to lock the assembly in place making sure that the locking Torx screw is lined up with the metal tab on the metal adapter plate.



- Tighten the Torx screw with the Torx wrench that is provided with the PTZ.



## Legal and regulatory information

Trademarks and patents	The trade names used in this document may be trademarks or registered trademarks of the manufacturers or vendors of the respective products.
Manufacturer	Interlogix. 2955 Red Hill Avenue, Costa Mesa, CA 92626 5923, USA Authorized EU manufacturing representative: UTC Fire & Security B.V. Kelvinstraat 7, 6003 DH Weert, The Netherlands

Certification



Product warnings and disclaimers

THESE PRODUCTS ARE INTENDED FOR SALE TO AND INSTALLATION BY QUALIFIED PROFESSIONALS. UTC FIRE & SECURITY CANNOT PROVIDE ANY ASSURANCE THAT ANY PERSON OR ENTITY BUYING ITS PRODUCTS, INCLUDING ANY "AUTHORIZED DEALER" OR "AUTHORIZED RESELLER", IS PROPERLY TRAINED OR EXPERIENCED TO CORRECTLY INSTALL FIRE AND SECURITY RELATED PRODUCTS.

For more information on warranty disclaimers and product safety information, please check

[www.firesecurityproducts.com/policy/product-warning/](http://www.firesecurityproducts.com/policy/product-warning/) or scan the following code:



Contact information and manuals / tools / firmware

For contact information and to download the latest manuals, tools, and firmware, go to the web site of your region.

Americas: [www.interlogix.com](http://www.interlogix.com)

EMEA: [www.firesecurityproducts.com](http://www.firesecurityproducts.com)

Manuals are available in several languages

Australia/New Zealand: [www.utcs.com.au](http://www.utcs.com.au)