

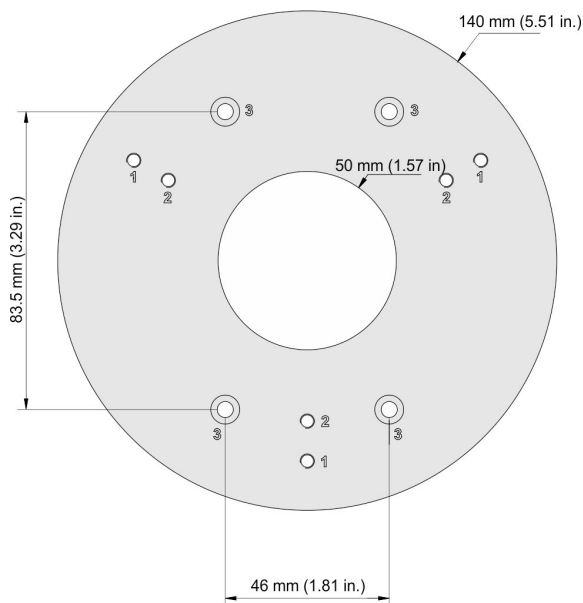
Turret Adapter Plate Installation Instructions

The Turret Adapter Plate is used when attaching a fixed or motorized lens turret camera to a double-gang box, or to a TVD-BB3 or TVD-BB3A back box, or to a TVD-M2-WM wall mount, or to a TVD-CB3 cup base. The turret adapter plate is included with the turret camera.

Refer to the Installation Guide for the turret camera you are installing for the details on the camera housing (assembling/disassembling) and cable connections.

Description

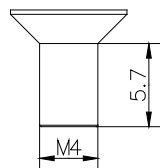
Dimensions: 140 × 2 mm (5.51 × 0.08 in.)



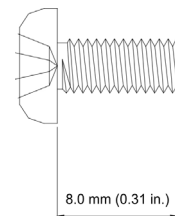
Weight: 70 g (0.15 lb.)

Accessories:

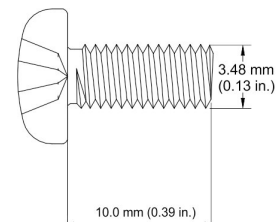
Screw A KM 4 × 8 mm (4 pcs)
 (Used to attach the turret adapter plate to the wall mount, back box or cup base)



Screw B PM 4 × 8 mm (3 pcs)
 (Used to attach the turret camera to the adapter plate)



Screw C PM 6-32 × 10 mm (4 pcs)
 (Used to attach the turret adapter plate to a double-gang electrical box)



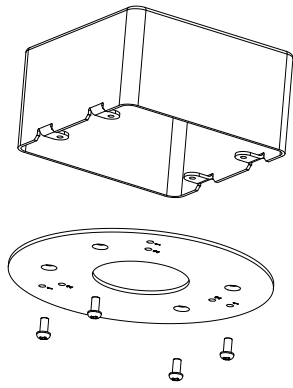
Supported equipment:

Hole 1	TruVision IP Fixed Lens Turret Cameras TVT-5301, TVT-5302, TVT-5303, TVT-5304, TVT-5305, TVT-5306
	TruVision TVI Fixed Lens Turret Cameras NTSC: TVT-4401 PAL: TVT-2401
Hole 2	TruVision TVI VF Motorized Lens Turret Camera NTSC: TVT-4402 PAL: TVT-2402
Hole 3	Double-gang box (electrical box) TVD-BB3: TruVision dome back box TVD-BB3A: TruVision dome angled back box TVD-M2-WM: TruVision wall mount TVD-CB3: Dome 3-inch cup base

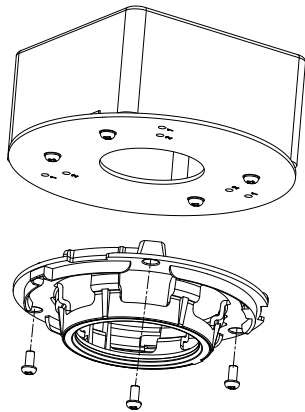
Installation

To attach a turret camera to a double-gang box:

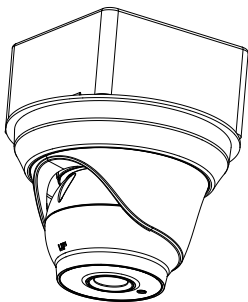
1. Install the turret adapter plate to the double-gang box by inserting four C screws into holes 3 (see the *Dimensions* figure for the location of the holes).



2. Remove the camera body from the turret camera base. Attach the base to the turret adapter plate by inserting the B screws into holes 2 or B screws into holes 1. Refer to the Supported equipment section.

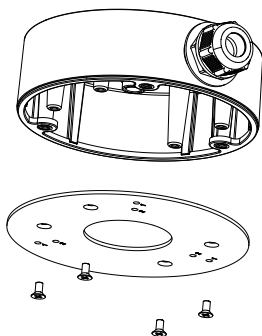


3. Make the proper connections to the cable harness and conceal the cables. Reattach the camera body to the base and adjust the position of the lens.



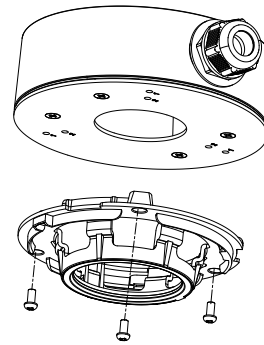
To attach a turret camera to a TVD-BB3 dome back box:

1. Install the turret adapter plate to TVD-BB3 dome back box by inserting four A screws into holes 3 (see the Dimensions figure for the location of the holes).

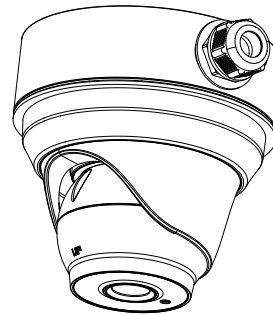


2. Remove the camera body from the turret camera base. Attach the base to the turret adapter plate by inserting the B screws into holes 2 or B screws into holes 1. Refer to the Supported equipment section.

B screws into holes 2 or B screws into holes 1. Refer to the Supported equipment section.

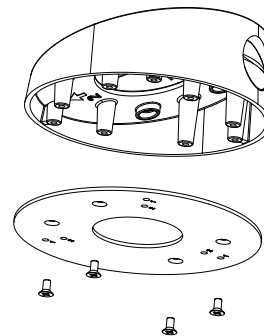


3. Make the proper connections to the cable harness and conceal the cables. Reattach the camera body to the base and adjust the position of the lens.

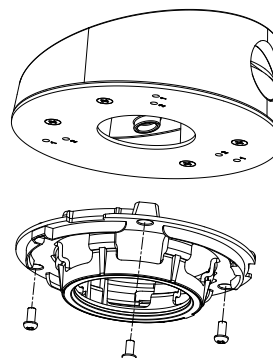


To attach a turret camera to a TVD-BB3A dome angled back box:

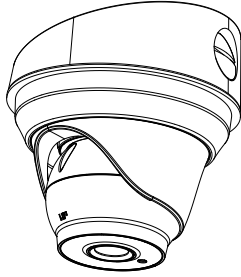
1. Install the turret adapter plate to the TVD-BB3A dome angled back box by inserting four A screws into holes 3 (see the Dimensions figure for the location of the holes).



2. Remove the camera body from the turret camera base. Attach the base to the turret adapter plate by inserting the B screws into holes 2 or B screws into holes 1. Refer to the Supported equipment section.

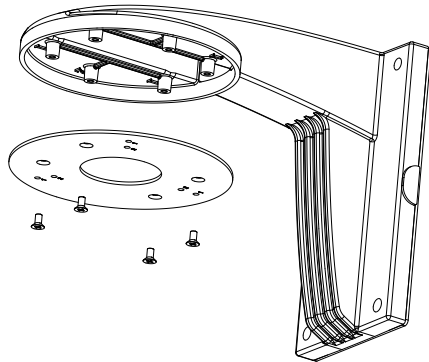


3. Make the proper connections to the camera harness and conceal the cables. Reattach the camera body to the base and adjust the position of the lens.

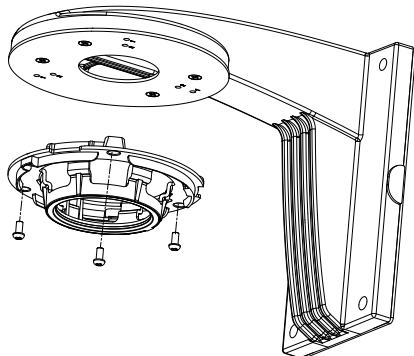


To attach a turret camera to a TVD-M2-WM bracket:

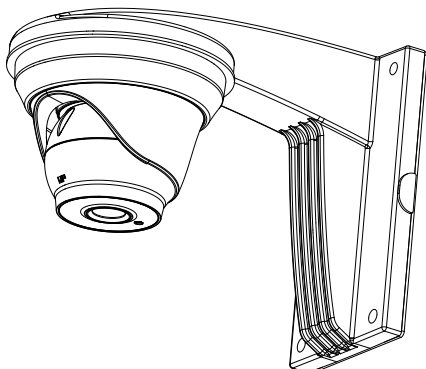
1. Attach the turret adapter plate to TVD-M2-WM bracket by inserting four A screws into holes 3 (see the *Dimensions* figure for the location of the holes).



2. Remove the camera body from the turret camera base. Attach the base to the turret adapter plate by inserting the B screws into holes 2 or B screws into holes 1. Refer to the *Supported equipment* section.

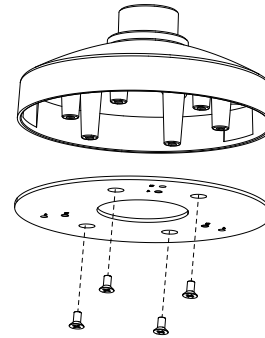


3. Make the proper connections to camera harness and conceal the cables. Reattach the camera body to the base and adjust the position of the lens.

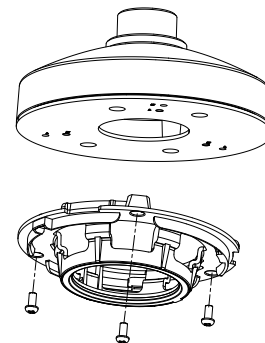


To attach the turret camera to a TVD-CB3 cup base:

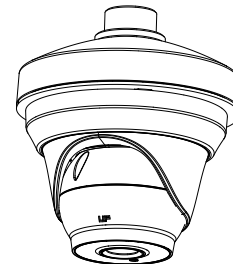
1. Attach the turret adapter plate to the TVD-CB3 cup base by inserting four A screws into holes 3 (see the *Dimensions* figure for the location of the holes).



2. Remove the camera body from the turret camera base. Attach the base to the turret adapter plate by inserting the B screws into holes 2 or B screws into holes 1. Refer to the *Supported equipment* section.



3. Make the proper connections to the camera harness and conceal the cables. Reattach the camera body to the base and adjust the position of the lens.



Legal information

Trademarks and patents The trade names used in this document may be trademarks or registered trademarks of the manufacturers or vendors of the respective products.

Certification



Contact information

For contact information, see www.interlogix.com or www.utcssecurityproducts.eu.

