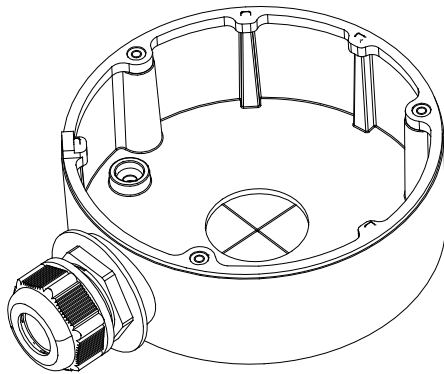


# TVD-BB1 Back Box User Guide

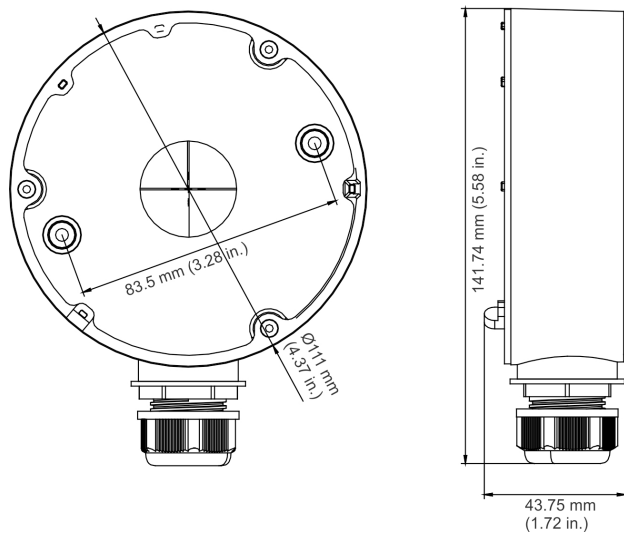
## Description

Weight: 150 g (0.33 lb.)

Description:

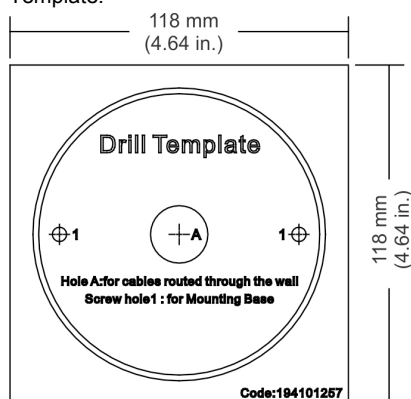


Dimensions:

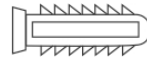


Accessories:

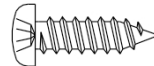
Template:



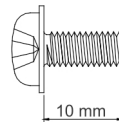
Drywall anchor  $\varnothing 7.5 \times 24.5$  mm (3 pcs)



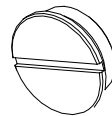
Screw A  $\varnothing 4 \times 25$  mm (3 pcs)



Screw B  $\varnothing 3 \times 10$  mm (3 pcs)



Threaded knockout plug



## Supported cameras

The back box can be used with the following dome cameras:

**TruVision IP plastic dome:**

*NTSC:* TVD-3105, TVD-3106

*PAL:* TVD-1105, TVD-1106

**TruVision IP indoor plastic dome:**

*NTSC:* TVD-3101, TVD-3102

*PAL:* TVD-1101, TVD-1102

**TruVision HD-TVI plastic dome:**

*NTSC:* TVD-4401, TVD-4403

*PAL:* TVD-2401, TVD-2403

## Legal information

Trademarks and patents

The trade names used in this document may be trademarks or registered trademarks of the manufacturers or vendors of the respective products.

## Contact information

For contact information, see [www.interlogix.com](http://www.interlogix.com) or [www.utcssecurityproducts.eu](http://www.utcssecurityproducts.eu).