



Overview

GE's Power over Ethernet (PoE) Injector is now IFS. The IFS Power over Ethernet Injector is a quick and easy solution that can be used when a network device does not provide the functionality as a power source equipment (PSE), such as a non-PoE switch, and yet the edge device being deployed is a PoE powered device (PD).

This module provides the ability to combine Ethernet data and PoE on a single category cable for deployment of a PoE powered edge device up to 100m (328 ft.). This provides a cost-effective and efficient power distribution cable management solution for a PoE-centric IP network.

The 100m (328 ft.) distance is based on the EIA-568 standard and is the maximum distance between two Ethernet devices. The IFS Power over Ethernet Injector can be deployed at any location within the 100m (328ft.) cable run; however, typically this device would be installed closer to the non-PoE device.

This device facilitates easier network planning by eliminating restrictions of edge device placement near AC power outlets and reduces the need for AC wiring and installation costs while delivering higher reliability.

MS-PoE IEEE 802.3af Power over Ethernet Injector

Standard Features

Installation

- Compact size
- Plug-and-play design
- Standalone or wall-mount installation
- Can be used with the IFS MS-PoE Injector or other IEEE 802.3af compliant devices

Standards Compliance

- Supports 10/100Base-TX Ethernet
- Complies with IEEE 802.3/802.3u
- Complies with IEEE 802.3af PoE Standard

PoE Circuit

- Auto-detect of PoE IEEE 802.3af equipment providing protection from incorrect installation
- Current overload detect
- PoE Ready/In-use LED indicator

Physical Ports

- One RJ-45 connector for data
- One power connector for power input
- One RJ-45 connector for data and 48VDC output to a single Category cable

Network Cable

- For use with EIA568 Category 5 or better cables
- Can deploy data and PoE on a single Category cable up to 100m (328 ft.) to a PoE powered (PD) edge device

Warranty

- 3-year Warranty



MS-PoE

North America
 T 888-437-3287
 F 503-691-7566
 E sales@ifs.com

Asia
 T 852-2907-8108
 F 852-2142-5063

Australia and New Zealand
 T 613-9239-1200
 F 613-9239-1299

Europe
 T 44-113-238-1668
 F 44-113-253-8121

Latin America
 T 561-998-6100
 F 561-994-6572

interlogix.com
 ufcfireandsecurity.com

Specifications subject to
 change without notice.

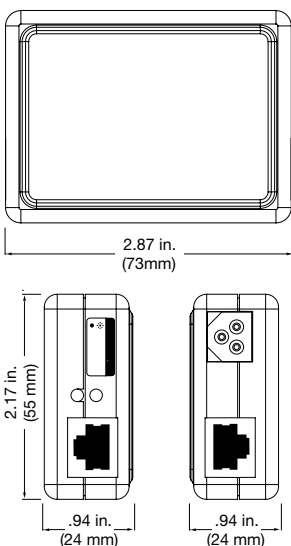
© 2010 Interlogix, A UTC Fire & Security Company.
 All rights reserved.

GE and the GE monogram are trademarks of the
 General Electric Company and are under license
 to UTC Fire & Security, 9 Farm Springs Road,
 Farmington, CT 06034-4065

Ordering Information

MS-PoE	IEEE 802.3af Power Over Ethernet Injector (mid-span)
--------	---

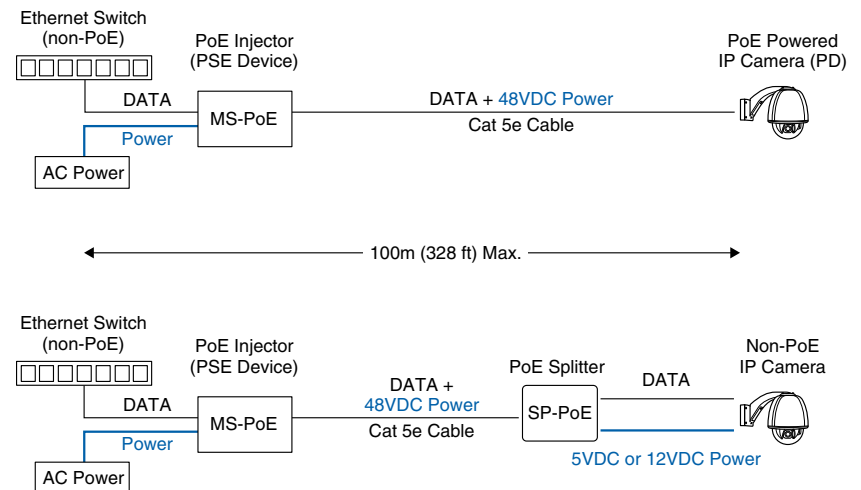
Dimensional Diagram



Specifications

Ethernet	
Data Rate	10/100Mbps
Throughput (packet per second)	148810pps@64Bytes
IEEE Standards	IEEE 802.3 Ethernet IEEE 802.3u Fast Ethernet IEEE 802.3af Power over Ethernet
EIA/TIA-568 Standards	Category 5/5e cable
Power Over Ethernet (PoE)	
PoE Standard	IEEE 802.3af Power over Ethernet / PSE
PoE Power Supply Type	Mid-Span / Type B
PoE Output Pin Assignment	4/5(+), 7/8(-)
PoE Output Power	48VDC @ 350mA, 15.4 watts max.
Connectors & Indicators	
Ethernet + DC Out	1 x RJ-45 connector (10/100Base-TX with IEEE 802.3af PoE PSE for data + DC out)
Ethernet Data	1 x RJ-45 connector (10/100Base TX for data in)
DC Input	DC receptacle
LED Indicator	1-power; 1-PoE Ready/In-use
Electrical and Mechanical	
Input Power	48VDC, 380mA max.
PoE Output Power	48VDC @ 350mA, 15.4 watts max.
Maximum Powered Devices	1
Enclosure	Plastic
Dimensions (H x W x D)	2.87 x 2.17 x 0.94 in.; (73 x 55 x 24mm)
Weight	0.22 lbs. / 50g
Environmental	
MTBF	>50,000 hrs. @ 25°C
Operating Temperature	0°C~50°C
Storage Temperature	-20°C~70°C
Relative Humidity	5%~90% (non-condensing)

Typical Applications



Security Products by GE are now part of the UTC Fire & Security family



UTC Fire & Security

A United Technologies Company