

2MPx, 4MPx and 8MPx (4K) IP Turret IR Cameras

Series 6 IP Cameras



OVERVIEW

TruVision® IP Megapixel Turret IR Cameras by Interlogix bring high definition images to the mass video surveillance market. With 2MPx, 4MPx or 8MPx (4K) resolution options, these cameras provide flexibility for a wide variety of applications.

The IP Megapixel Turret IR Cameras adhere to ONVIF® Profile S and G open communications standards as well as CGI command set support for simple integration into standard IP systems. By utilizing an integrated browser and micro SD memory card storage capability, these cameras simplify remote, live monitoring/playback of edge-recorded audio and video. Memory card recording also helps protect data in the event of network disruptions.

Cross line, intrusion, face detection, and privacy masking provide additional flexibility when monitoring key areas of a facility. These features alert the user when key exceptions are triggered, reducing the amount of time and effort required when responding to alarms.

Network security features include network disconnect, IP address conflict and illegal login detection. These features in addition to integrated motion and tamper detection provide a secure video solution.

STANDARD FEATURES

Video

- 2MPx, 4MPx or 8MPx (4K) resolution options
- H.265/H.264/MJPEG (on substream) compression technology with triple-streaming capability
- 2.8mm fixed lens / 2.8-12mm motorized varifocal lens options
- ONVIF Profile S and G open communications standards compatibility

Video Enhancements

- WDR 120 dB
- True D/N functionality and infrared illuminators
- 98 ft. (30m) IR range

Alarm Intelligence

- Integrated motion and tamper detection
- Network disconnected and IP address conflict detection
- Illegal login detection

Edge Recording

- Edge recording on up to 128GB micro SD/SDHC/SDXC card for video playback (card not included)




Installation and Environment

- IP67 Environmental rating
- TruVision Device Manager software to access newly added system devices
- Mounting adapter plate

Warranty

- 3-year warranty

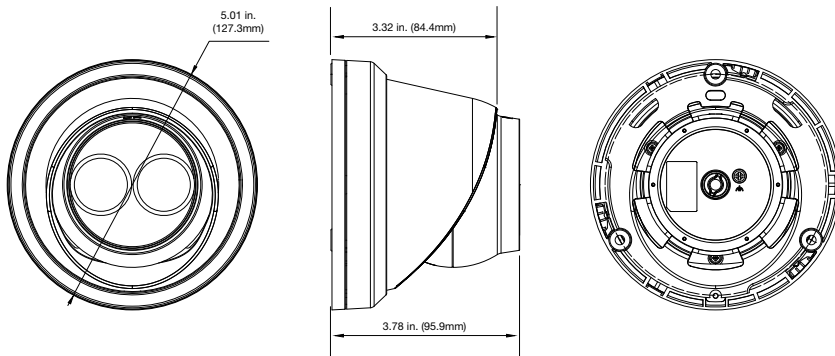
Specifications

	PART NO.	TVT-5601/5602/5603	TVT-5604/5605/5606	TVT-5607	TVT-5608	TVT-5609/5610	TVT-5611	
								
Housing		Gray / White / Black	Gray / White / Black	Gray	Gray	Gray / White	Gray	
Camera	Sensor	1/2.8" Progressive Scan CMOS		1/2.5" Progressive Scan CMOS	1/2.8" Progressive Scan CMOS		1/2.5" Progressive Scan CMOS	
	Resolution	2MPx	4MPx	8MPx (4K)	2MPx	4MPx	8MPx (4K)	
	Day/Night	True D/N, IR cut filter						
	IP Compression/Standard	H.265 / H.264 / MJPEG						
	Main Stream	H.265 / H.264						
	Substream	H.265 / H.264 / MJPEG						
	3rd Stream	H.265 / H.264						
	Multiple Streaming	Triple Stream						
	Maximum Resolution	1920 x 1080	2560 x 1440	3840 x 2160	1920 x 1080	2560 x 1440	3840 x 2160	
	Main Stream Real-Time Resolution	50Hz: 25 fps (1920 x 1080, 1280 x 960, 1280 x 720) 60Hz: 30 fps (1920 x 1080, 1280 x 960, 1280 x 720)	50Hz: 25 fps (2560 x 1440, 2304 x 1296, 1920 x 1080) 60Hz: 30 fps (2560 x 1440, 2304 x 1296, 1920 x 1080)	50Hz: 12.5 fps (3840 x 2160); 20 fps (3072 x 1728); 25 fps (2560 x 1440, 1920 x 1080, 1280 x 720) 60Hz: 15 fps (3840 x 2160); 20 fps (3072 x 1728); 30 fps (2560 x 1440, 1920 x 1080, 1280 x 720)	50Hz: 25 fps (1920 x 1080, 1280 x 960, 1280 x 720) 60Hz: 30 fps (1920 x 1080, 1280 x 960, 1280 x 720)	50Hz: 25 fps (2560 x 1440, 2304 x 1296, 1920 x 1080) 60Hz: 30 fps (2560 x 1440, 2304 x 1296, 1920 x 1080)	50Hz: 12.5 fps (3840 x 2160); 20 fps (3072 x 1728); 25 fps (2560 x 1440, 1920 x 1080, 1280 x 720) 60Hz: 15 fps (3840 x 2160); 20 fps (3072 x 1728); 30 fps (2560 x 1440, 1920 x 1080, 1280 x 720)	
	Substream Real-Time Resolution	50Hz: 25 fps (704 x 576, 640 x 480, 640 x 360, 320 x 240) 60Hz: 30 fps (704 x 480, 640 x 480, 640 x 360, 320 x 240)						
	3rd Stream Real-Time Resolution	50Hz: 25 fps (1920 x 1080, 1280 x 720, 640 x 360, 352 x 288) 60Hz: 30 fps (1920 x 1080, 1280 x 720, 640 x 360, 352 x 240)	50Hz: 25 fps (1280 x 720, 640 x 360, 352 x 288) 60Hz: 30 fps (1280 x 720, 640 x 360, 352 x 240)	50Hz: 25 fps (3840 x 2160); 20 fps (3072 x 1728); 25 fps (2560 x 1440, 1920 x 1080, 1280 x 720) 60Hz: 15 fps (3840 x 2160); 20 fps (3072 x 1728); 30 fps (2560 x 1440, 1920 x 1080, 1280 x 720)	50Hz: 25 fps (1920 x 1080, 1280 x 720, 640 x 360, 352 x 288) 60Hz: 30 fps (1920 x 1080, 1280 x 720, 640 x 360, 352 x 240)	50Hz: 25 fps (2560 x 1440, 2304 x 1296, 1920 x 1080) 60Hz: 30 fps (2560 x 1440, 2304 x 1296, 1920 x 1080)	50Hz: 25 fps (1280 x 720, 640 x 360, 352 x 288) 60Hz: 30 fps (1280 x 720, 640 x 360, 352 x 240)	
	Video Bit Rate	32 Kbps to 16 Mbps						
	Wide Dynamic Range	120 dB						
	Digital Noise Reduction	3D DNR						
Minimum Illumination	Color: 0.01 lux @ (f1.2, AGC On), 0.028 lux @ (f2.0, AGC On), 0 lux with IR	Color: 0.01 lux @ (f1.2, AGC On), 0.018 lux @ (f1.6, AGC On), 0 lux with IR	Color: 0.01 lux @ (f1.2, AGC On), 0.028 lux @ (f2.0, AGC On), 0 lux with IR	Color: 0.01 lux @ (f1.2, AGC On), 0.018 lux @ (f1.6, AGC On), 0 lux with IR				
Digital S/N Ratio	50 dB (AGC Off)							
Auto Exposure (shutter)	1/3 s to 1/100,000 s							
Lens	2.8mm: horizontal FOV: 114°, vertical FOV: 62°, diagonal FOV: 135°	2.8mm: horizontal FOV: 98°, vertical FOV: 55°, diagonal FOV: 114°	2.8mm: horizontal FOV: 102°, vertical FOV: 53°, diagonal FOV: 124°	2.8 to 12mm: horizontal FOV: 110° to 31°, vertical FOV: 58° to 18°, diagonal FOV: 136° to 36°	2.8 to 12mm: horizontal FOV: 98° to 28°, vertical FOV: 51° to 16°, diagonal FOV: 115° to 32°	2.8 to 12mm: horizontal FOV: 105° to 34.5°, vertical FOV: 55° to 19°, diagonal FOV: 125° to 40°		
Focus	Fixed			Motorized Varifocal				
IR Range	98 ft. (30m)							
Video Output	N/A							
Video Connector	N/A							
Network	Ethernet Port	1 RJ45 10M/100M auto-negotiate						
	Network Protocols	TCP/IP, ICMP, HTTP, HTTPS, FTP, DHCP, DNS, DDNS, RTP, RTSP, RTCP, PPPoE, NTP, UPnP™, SMTP, SNMP, IGMP, 802.1X, QoS, IPv6, Bonjour						
Local Storage	Media	Micro SD/SDHC/SDXC Card						
	Capacity	128GB (card not included)						
Audio	Input	N/A			1 input (line in / mic in, 3.5mm)			
	Output	N/A			1 output (line out, 3.5mm), mono sound			
	Audio bit rate (protocol)	N/A			G.711 / G.722 / G.726 / MP2L2 / PCM			
Camera Alarms	Intelligence	Motion detection, Face detection, Cross line detection (up to 4 lines), Intrusion detection (up to 4 regions), Privacy mask, Video tampering, Network disconnected, IP address conflict, Illegal login, HDD full, HDD error						
	Input/Output	N/A			1 in / 1 out			
Interoperability	Standard	ONVIF Profile (S, G), CGI, ISAPI						

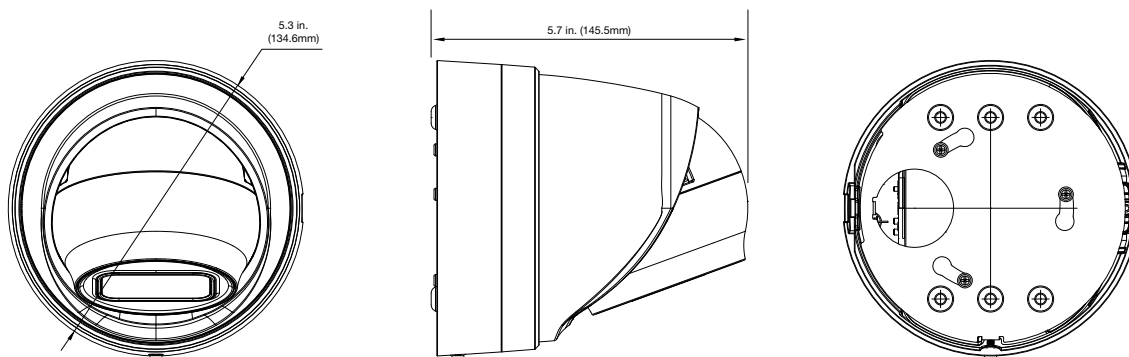
		PART NO.	TVT-5601/5602/5603	TVT-5604/5605/5606	TVT-5607	TVT-5608	TVT-5609/5610	TVT-5611	
Display	Display Mode	Rotate mode, Saturation, Brightness, Contrast, Sharpness adjustable by client software or web browser							
	On Screen Display (OSD)	Text overlay							
Electrical/ Mechanical	Voltage Input	12VDC \pm 25%, PoE (IEEE 802.3-af)							
	Power Consumption	12VDC, 0.5A, max. 6W PoE (802.3-af, 37V to 57V), 0.2A to 0.1A, max. 7.5W				12VDC, 0.85A, max. 10W PoE (802.3-af, 37V to 57V), 0.35A to 0.2A, max. 12.5W		12VDC, 1A, max. 11W PoE (802.3-af, 36V to 57V), 0.4A to 0.3A, max. 12.5W	
	Auxiliary Output	N/A							
	Dimensions	5.01 x 3.78 in. (127.3 x 95.9mm)				5.3 x 5.7 in. (134.6 x 145.5mm)			
	Weight	1.37 lbs. (620g)				2.6 lbs. (1200g)			
Environmental	Storage Temperature	-22°F to +140°F (-30°C to +60°C)							
	Operating Temperature	-22°F to +140°F (-30°C to +60°C), Humidity 95% or less (non-condensing)							
	Environmental Rating	IP67							
	Vandal Rating	N/A				IK10			
Regulation	Compliance	EMC USA, EMC Europe, UL/cUL, WEEE, LVD, RoHS, REACH, China RoHS							

Dimensional Diagrams

TVT-5601, TVT-5602, TVT-5603, TVT-5604, TVT-5605, TVT-5606, TVT-5607 Fixed Lens Turret Camera
(mounting adapter plate included)



TVT-5608, TVT-5609, TVT-5610, TVT-5611 Motorized Varifocal Lens Turret Camera
(mounting adapter plate included, image shown below)



2MPx, 4MPx and 8MPx (4K) IP Turret IR Cameras

Series 6 IP Cameras



Ordering Information

TVT-5601	TruVision® 2MPx, H.265/H.264, IP Fixed Lens Turret Camera, 2.8mm, True D/N, WDR, 30m IR, Micro SD/SDHC/SDXC Slot, PoE (802.3-af)/12VDC, IP67, Gray	TVT-5608	TruVision 2MPx, H.265/H.264, IP VF Turret Camera, 2.8~12mm Motorized, True D/N, WDR, 30m IR, Audio, I/Os, Micro SD/SDHC/SDXC Slot, PoE (802.3-af)/12VDC, IP67, IK10, Gray
TVT-5602	TruVision 2MPx, H.265/H.264, IP Fixed Lens Turret Camera, 2.8mm, True D/N, WDR, 30m IR, Micro SD/SDHC/SDXC Slot, PoE (802.3-af)/12VDC, IP67, White	TVT-5609	TruVision 4MPx, H.265/H.264, IP VF Turret Camera, 2.8~12mm Motorized, True D/N, WDR, 30m IR, Audio, I/Os, Micro SD/SDHC/SDXC Slot, PoE (802.3-af)/12VDC, IP67, IK10, Gray
TVT-5603	TruVision 2MPx, H.265/H.264, IP Fixed Lens Turret Camera, 2.8mm, True D/N, WDR, 30m IR, Micro SD/SDHC/SDXC Slot, PoE (802.3-af)/12VDC, IP67, Black	TVT-5610	TruVision 4MPx, H.265/H.264, IP VF Turret Camera, 2.8~12mm Motorized, True D/N, WDR, 30m IR, Audio, I/Os, Micro SD/SDHC/SDXC Slot, PoE (802.3-af)/12VDC, IP67, IK10, White
TVT-5604	TruVision 4MPx, H.265/H.264, IP Fixed Lens Turret Camera, 2.8mm, True D/N, WDR, 30m IR, Micro SD/SDHC/SDXC Slot, PoE (802.3-af)/12VDC, IP67, Gray	TVT-5611	TruVision 8MPx/4K, H.265/H.264, IP VF Turret Camera, 2.8~12mm Motorized, True D/N, WDR, 30m IR, Audio, I/Os, Micro SD/SDHC/SDXC Slot, PoE (802.3-af)/12VDC, IP67, IK10, Gray
TVT-5605	TruVision 4MPx, H.265/H.264, IP Fixed Lens Turret Camera, 2.8mm, True D/N, WDR, 30m IR, Micro SD/SDHC/SDXC Slot, PoE (802.3-af)/12VDC, IP67, White		
TVT-5606	TruVision 4MPx, H.265/H.264, IP Fixed Lens Turret Camera, 2.8mm, True D/N, WDR, 30m IR, Micro SD/SDHC/SDXC Slot, PoE (802.3-af)/12VDC, IP67, Black		
TVT-5607	TruVision 8MPx/4K, H.265/H.264, IP Fixed Lens Turret Camera, 2.8mm, True D/N, WDR, 30m IR, Micro SD/SDHC/SDXC Slot, PoE (802.3-af)/12VDC, IP67, Gray		

Accessories

For Fixed Lens Turrets (TVT-5601, TVT-5602, TVT-5603, TVT-5604, TVT-5605, TVT-5606, TVT-5607)

TVD-BB3	TruVision Dome Back Box
TVD-BB3A	TruVision Dome Angled Back Box
TVD-CB3	TruVision Dome 3-inch Cup Base (use w/TVD-SNB, TVD-PPB, TVD-CBW)
TVD-CBW	TruVision Dome Cup Base Wall Mount (use w/TVD-CB3)
TVD-M2-WM	TruVision Dome Wall Mount (use w/DR-RWM-AD Adapter)
TVD-M-CMA	TruVision Corner Mount Adapter (use w/TVD-SNB, TVD-M2-WM)
TVD-M-PMA	TruVision Pole Mount Adapter (use w/TVD-SNB, TVD-M2-WM)
TVD-PPB	TruVision Pendant Mount (use w/TVD-CB3)
TVD-SNB	TruVision Swan Neck Wall Mount (use with TVD-CB3)
TVD-SNB-BB	TruVision TVD-SNB Swan Neck Wall Mount Back Box

For Motorized Lens Turrets (TVT-5608, TVT-5609, TVT-5610, TVT-5611)

TVD-CB6	TruVision Dome/Turret (5 inch/135mm) Cup Base (use w/TVD-SNB, TVD-PPB, TVD-CBW)
TVD-CBW	TruVision Dome Cup Base Wall Mount (use w/TVD-CB6)
TVD-M-CMA	TruVision Corner Mount Adapter (use w/TVD-SNB)
TVD-M-PMA	TruVision Pole Mount Adapter (use w/TVD-SNB)
TVD-PPB	TruVision Pendant Mount Bracket (use w/TVD-CB6)
TVD-SNB	TruVision Swan Neck Wall Mount (use w/TVD-CB6)
TVD-SNB-BB	TruVision TVD-SNB Swan Neck Wall Mount Back Box



interlogix.com

Specifications subject to change without notice.

© 2019 United Technologies Corporation.

All rights reserved.

Interlogix is part of UTC Climate, Controls & Security,
a unit of United Technologies Corporation.

2019/01 (GSP-2725)