

# 2MPx, 4MPx and 8MPx (4K) IP Dome IR Cameras

## Series 6 IP Cameras



## OVERVIEW

TruVision® IP Megapixel Dome IR Cameras by Interlogix bring high definition images to the mass video surveillance market. With 2MPx, 4MPx or 8MPx (4K) resolution options, these cameras provide flexibility for a wide variety of applications.

The IP Megapixel Dome IR Cameras adhere to ONVIF® Profile S and G open communications standards as well as CGI command set support for simple integration into standard IP systems. By utilizing an integrated browser and micro SD memory card storage capability, these cameras simplify remote, live monitoring/playback of edge-recorded audio and video. Memory card recording also helps protect data in the event of network disruptions.

Cross line, intrusion, face detection, and privacy masking provide additional flexibility when monitoring key areas of a facility. These features alert the user when key exceptions are triggered, reducing the amount of time and effort required when responding to alarms.

Network security features include network disconnect, IP address conflict and illegal login detection. These features in addition to integrated motion and tamper detection provide a secure video solution.

## STANDARD FEATURES

### Video

- 2MPx, 4MPx or 8MPx (4K) resolution options
- H.265/H.264/MJPEG (on substream) compression technology with triple-streaming capability
- 2.8mm fixed lens / 2.8-12mm motorized varifocal lens options
- ONVIF Profile S and G open communications standards compatibility

### Video Enhancements

- WDR 120 dB
- True D/N functionality and infrared illuminators
- 98 ft. (30m) IR range

### Alarm Intelligence

- Integrated motion and tamper detection
- Network disconnected and IP address conflict detection
- Illegal login detection

### Audio and Edge Recording

- Edge recording on up to 128GB micro SD/SDHC/SDXC card for video playback (card not included)




### Installation and Environment







- IP67 Environmental rating
- IK10 Impact rating on select models
- TruVision Device Manager software to access newly added system devices
- Cable management back box available as an accessory on fixed lens camera

### Warranty

- 3-year warranty

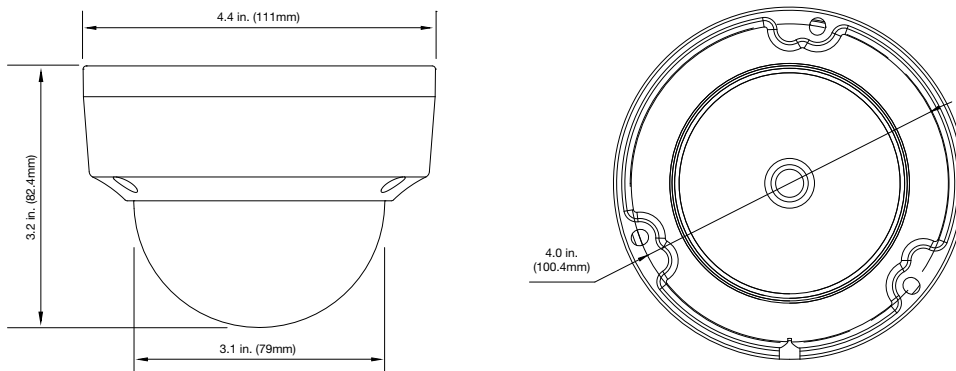
# Specifications

	PART NO.	TVD-5601	TVD-5602	TVD-5603	TVD-5604	TVD-5605	TVD-5606
							
Housing		Gray					
Camera	Sensor	1/2.8" Progressive Scan CMOS		1/2.5" Progressive Scan CMOS	1/2.8" Progressive Scan CMOS		1/2.5" Progressive Scan CMOS
	Resolution	2MPx	4MPx	8MPx (4K)	2MPx	4MPx	8MPx (4K)
	Day/Night	True D/N, IR cut filter					
	IP Compression/Standard	H.265 / H.264 / MJPEG					
	Main Stream	H.265 / H.264					
	Substream	H.265 / H.264 / MJPEG					
	3rd Stream	H.265 / H.264					
	Multiple Streaming	Triple Stream					
	Maximum Resolution	1920 x 1080	2560 x 1440	3840 x 2160	1920 x 1080	2560 x 1440	3840 x 2160
	Main Stream Real-Time Resolution	50Hz: 25 fps (1920 x 1080, 1280 x 960, 1280 x 720) 60Hz: 30 fps (1920 x 1080, 1280 x 960, 1280 x 720)	50Hz: 25 fps (2560 x 1440, 2304 x 1296, 1920 x 1080) 60Hz: 30 fps (2560 x 1440, 2304 x 1296, 1920 x 1080)	50Hz: 12.5 fps (3840 x 2160); 20 fps (3072 x 1728); 25 fps (2560 x 1440, 1920 x 1080, 1280 x 720) 60Hz: 15 fps (3840 x 2160); 20 fps (3072 x 1728); 30 fps (2560 x 1440, 1920 x 1080, 1280 x 720)	50Hz: 25 fps (1920 x 1080, 1280 x 960, 1280 x 720) 60Hz: 30 fps (1920 x 1080, 1280 x 960, 1280 x 720)	50Hz: 25fps (2560 x 1440, 2304 x 1296, 1920 x 1080) 60Hz: 30 fps (2560 x 1440, 2304 x 1296, 1920 x 1080)	50Hz: 12.5 fps (3840 x 2160); 20 fps (3072 x 1728); 25 fps (2560 x 1440, 1920 x 1080, 1280 x 720) 60Hz: 15 fps (3840 x 2160); 20 fps (3072 x 1728); 30 fps (2560 x 1440, 1920 x 1080, 1280 x 720)
	Substream Real-Time Resolution	50Hz: 25 fps (704 x 576, 640 x 480, 640 x 360, 320 x 240) 60Hz: 30 fps (704 x 480, 640 x 480, 640 x 360, 320 x 240)					
	3rd Stream Real-Time Resolution	50Hz: 25 fps (1920 x 1080, 1280 x 720, 640 x 360, 352 x 288) 60Hz: 30 fps (1920 x 1080, 1280 x 720, 640 x 360, 352 x 240)	50Hz: 25 fps (1280 x 720, 640 x 360, 352 x 288) 60Hz: 30 fps (1280 x 720, 640 x 360, 352 x 240)	50Hz: 25 fps (1920 x 1080, 1280 x 720, 640 x 360, 352 x 288) 60Hz: 30 fps (1920 x 1080, 1280 x 720, 640 x 360, 352 x 240)	50Hz: 25 fps (1280 x 720, 640 x 360, 352 x 288) 60Hz: 30 fps (1280 x 720, 640 x 360, 352 x 240)	50Hz: 25 fps (1280 x 720, 640 x 360, 352 x 288) 60Hz: 30 fps (1280 x 720, 640 x 360, 352 x 240)	50Hz: 25 fps (1280 x 720, 640 x 360, 352 x 288) 60Hz: 30 fps (1280 x 720, 640 x 360, 352 x 240)
	Video Bit Rate	32 Kbps to 16 Mbps					
	Wide Dynamic Range	120 dB					
	Digital Noise Reduction	3D DNR					
Minimum Illumination	Color: 0.01 lux @ (f1.2, AGC On), 0.028 lux @ (f2.0, AGC On), 0 lux with IR	Color: 0.01 lux @ (f1.2, AGC On), 0.018 lux @ (f1.6, AGC On), 0 lux with IR	Color: 0.01 lux @ (f1.2, AGC On), 0.028 lux @ (f2.0, AGC On), 0 lux with IR	Color: 0.01 lux @ (f1.2, AGC On), 0.018 lux @ (f1.6, AGC On), 0 lux with IR			Color: 0.01 lux @ (f1.2, AGC On), 0.018 lux @ (f1.6, AGC On), 0 lux with IR
Digital S/N Ratio	50 dB (AGC Off)						
Auto Exposure (shutter)	1/3 s to 1/100,000 s						
Lens	2.8mm: horizontal FOV: 114°, vertical FOV: 62°, diagonal FOV: 135°	2.8mm: horizontal FOV: 98°, vertical FOV: 55°, diagonal FOV: 114°	2.8mm: horizontal FOV: 102°, vertical FOV: 53°, diagonal FOV: 124°	2.8 to 12mm: horizontal FOV: 110° to 31°, vertical FOV: 58° to 18°, diagonal FOV: 136° to 36°	2.8 to 12mm: horizontal FOV: 98° to 28°, vertical FOV: 51° to 16°, diagonal FOV: 115° to 32°	2.8 to 12mm: horizontal FOV: 105° to 34.5°, vertical FOV: 55° to 19°, diagonal FOV: 125° to 40°	
Focus	Fixed			Motorized Varifocal			
IR Range	98 ft. (30m)						
Video Output	N/A			Composite (NTSC/PAL) (for video test monitor service cable)			
Video Connector	N/A			1 - 75W / BNC (for video test monitor service cable)			
Network	Ethernet Port	1 RJ45 10M/100M auto-negotiate					
	Network Protocols	TCP/IP, ICMP, HTTP, HTTPS, FTP, DHCP, DNS, DDNS, RTP, RTSP, RTCP, PPPoE, NTP, UPnP™, SMTP, SNMP, IGMP, 802.1X, QoS, IPv6, Bonjour					
Local Storage	Media	Micro SD/SDHC/SDXC Card					
	Capacity	128GB (card not included)					
Audio	Input	1 input (line in / mic in, 3.5mm)					
	Output	1 output (line out, 3.5mm), mono sound					
	Audio bit rate (protocol)	G.711 / G.722 / G.726 / MP2L2 / PCM					
Camera Alarms	Intelligence	Motion detection, Face detection, Cross line detection (up to 4 lines), Intrusion detection (up to 4 regions), Privacy mask, Video tampering, Network disconnected, IP address conflict, Illegal login, HDD full, HDD error					
	Input/Output	1 in / 1 out (up to 12VDC, 30mA)					
Interoperability	Standard	ONVIF Profile (S, G), CGI, ISAPI					

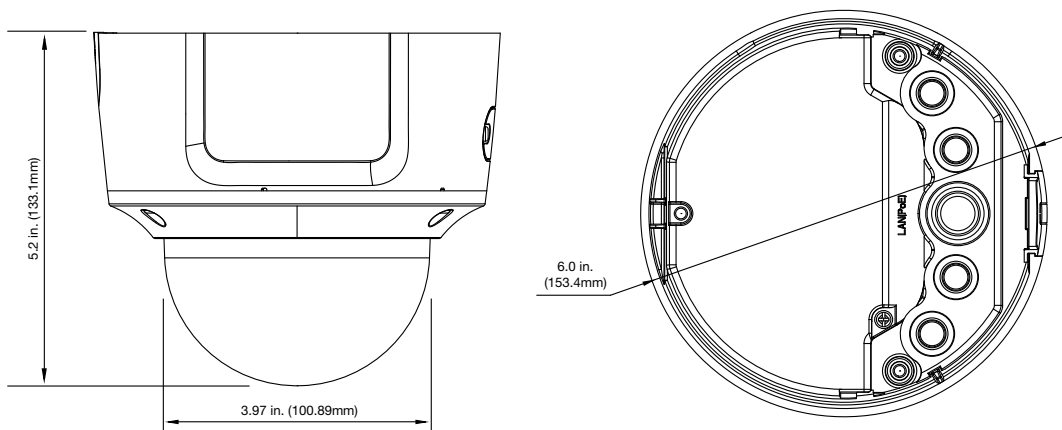
PART NO.		TVD-5601	TVD-5602	TVD-5603	TVD-5604	TVD-5605	TVD-5606
							
Display	Display Mode	Rotate mode, Saturation, Brightness, Contrast, Sharpness adjustable by client software or web browser					
	On Screen Display (OSD)	Text overlay					
Electrical/ Mechanical	Voltage Input	12VDC $\pm$ 25%, PoE (IEEE 802.3-af)					
	Power Consumption	12VDC, 0.5A, max. 6W PoE (802.3-af, 37V to 57V), 0.2A to 0.1A, max. 7.5W			12VDC, 0.8A, max. 10W PoE (802.3-af, 37V to 57V), 0.35A to 0.2A, max. 12W		
	Auxiliary Output	NA			NA		
	Dimensions	4.4 x 3.2 in. (111 x 82.4mm)			6.0 x 5.2 in. (153.4 x 133.1mm)		
	Weight	1.1 lbs. (500g)			2.9 lbs. (1330g)		
Environmental	Storage Temperature	-22°F to +140°F (-30°C to +60°C)					
	Operating Temperature	-22°F to +140°F (-30°C to +60°C), Humidity 95% or less (non-condensing)					
	Environmental Rating	IP67					
	Vandal Rating	IK10					
Regulation	Compliance	EMC USA, EMC Europe, UL/cUL, WEEE, LVD, RoHS, REACH, China RoHS					

## Dimensional Diagrams

**TVD-5601, TVD-5602, TVD-5603 Fixed Lens Dome Camera**



**TVD-5604, TVD-5605, TVD-5606 Motorized Varifocal Lens Dome Camera (mounting adapter plate included)**



# 2MPx, 4MPx and 8MPx (4K) IP Dome IR Cameras

Series 6 IP Cameras



## Ordering Information

<b>TVD-5601</b>	TruVision® 2MPx, H.265/H.264, IP Fixed Lens Dome Camera, 2.8mm, True D/N, WDR, 30m IR, Micro SD/SDHC/SDXC Slot, Audio, I/Os, PoE (802.3-af)/12VDC, IP67, IK10	<b>TVD-5604</b>	TruVision 2MPx, H.265/H.264, IP VF Dome Camera, 2.8–12mm Motorized, True D/N, WDR, 30m IR, Audio, I/Os, Micro SD/SDHC/SDXC Slot, PoE (802.3-af)/12VDC, IP67, IK10
<b>TVD-5602</b>	TruVision 4MPx, H.265/H.264, IP Fixed Lens Dome Camera, 2.8mm, True D/N, WDR, 30m IR, Micro SD/SDHC/SDXC Slot, Audio, I/Os, PoE (802.3-af)/12VDC, IP67, IK10	<b>TVD-5605</b>	TruVision 4MPx, H.265/H.264, IP VF Dome Camera, 2.8–12mm Motorized, True D/N, WDR, 30m IR, Audio, I/Os, Micro SD/SDHC/SDXC Slot, PoE (802.3-af)/12VDC, IP67, IK10
<b>TVD-5603</b>	TruVision 8MPx/4K, H.265/H.264, IP Fixed Lens Dome Camera, 2.8mm, True D/N, WDR, 30m IR, Micro SD/SDHC/SDXC Slot, Audio, I/Os, PoE (802.3-af)/12VDC, IP67, IK10	<b>TVD-5606</b>	TruVision 8MPx/4K, H.265/H.264, IP VF Dome Camera, 2.8–12mm Motorized, True D/N, WDR, 30m IR, Audio, I/Os, Micro SD/SDHC/SDXC Slot, PoE (802.3-af)/12VDC, IP67, IK10

## Accessories

### For Fixed Lens Domes (TVD-5601, TVD-5602, TVD-5603)

<b>DR-RWM</b>	TruVision Wall Mount (use w/DR-RWM-AD Adapter)
<b>DR-RWM-AD</b>	TruVision Adapter for fixed lens dome (use w/DR-RWM or TVD-M2-WM)
<b>TVB-2G-AD</b>	TruVision Double Gang Box Adapter Plate
<b>TVD-BB1</b>	TruVision Dome Back Box (use with fixed lens dome)
<b>TVD-CB3</b>	TruVision 3-inch Cup Base (use w/TVD-CBW, TVD-SNB, TVD-PPB)
<b>TVD-LWB-1</b>	TruVision Dome Wall Mount, L-shape
<b>TVD-LWB-AD</b>	TruVision LWB Wall Mount Adapter to TVD-SNB-BB
<b>TVD-LWB-S</b>	TruVision Dome Shield (use w/TVD-LWB-1)
<b>TVD-M2-WM</b>	TruVision Dome Wall Mount (use w/DR-RWM-AD Adapter)
<b>TVD-CBW</b>	TruVision Dome Cup Base Wall Mount (use w/TVD-CB3)
<b>TVD-M-CMA</b>	TruVision Corner Mount Adapter (use w/TVD-SNB, TVD-M2-WM)
<b>TVD-M-PMA</b>	TruVision Pole Mount Adapter (use w/TVD-SNB, TVD-M2-WM)
<b>TVD-PPB</b>	TruVision Pendant Mount (use w/TVD-CB3)
<b>TVD-SNB</b>	TruVision Swan Neck Wall Mount (use with TVD-CB3)
<b>TVD-SNB-BB</b>	TruVision TVD-SNB Swan Neck Wall Mount Back Box

### For Motorized Lens Domes (TVD-5604, TVD-5605, TVD-5606)

<b>TVD-CB7</b>	TruVision Dome (6 inch/155mm) Cup Base (use w/TVD-SNB, TVD-PPB, TVD-CBW)
<b>TVD-CBW</b>	TruVision Dome Cup Base Wall Mount (use w/TVD-CB7)
<b>TVD-M-CMA</b>	TruVision Corner Mount Adapter (use w/TVD-SNB, TVD-M2-WM)
<b>TVD-M-PMA</b>	TruVision Pole Mount Adapter (use w/TVD-SNB, TVD-M2-WM)
<b>TVD-PPB</b>	TruVision Pendant Mount (use w/TVD-CB7)
<b>TVD-SNB</b>	TruVision Swan Neck Wall Mount (use with TVD-CB7)
<b>TVD-SNB-BB</b>	TruVision TVD-SNB Swan Neck Wall Mount Back Box



interlogix.com

Specifications subject to change without notice.

© 2019 United Technologies Corporation.

All rights reserved.

Interlogix is part of UTC Climate, Controls & Security,  
a unit of United Technologies Corporation.

2019/01 (GSP-2725)