

IP Compact PTZ Camera

2MPx or 3MPx Resolution



ONVIF® | S | G

OVERVIEW

The TruVision® 2MPx and 3MPx IP Compact PTZ cameras from Interlogix deliver the benefits of a PTZ solution while offering high definition image capture. This PTZ camera has advanced technology and can be installed in a wide range of applications and environmental conditions.

With features such as True Day/Night surveillance and Wide Dynamic Range (WDR) imaging on select models, these cameras provide optimal image quality in a variety of indoor or outdoor environments.

The IP Compact PTZ camera is available in a variety of mounting form factors, depending on the model. The camera is fully programmable, with up to 300 presets along with 8 patrol tours (32 presets per tour).

A 8-zone privacy mask feature allows these cameras to block out sensitive areas, such as fitting rooms or restricted areas. In addition, the variety of intelligence features adds substantial value and enhanced performance to any video system.



STANDARD FEATURES

Video

- 2MPx or 3MPx resolution
- H.265 / H.264 compression technology
- Triple streaming
- ONVIF® Profile (S) (G) / PSIA / GCGI

Video Enhancement

- True day/night functionality
- IR illumination, range varies depending on model

PTZ

- 4X or 20X optical, 16X digital (depending on model)
- 350° or 360° rotation (depending on model)

Intelligence for all models

- Intrusion detection
- Cross line detection
- Audio exception detection
- Privacy mask (8 zones)

Intelligence for select models

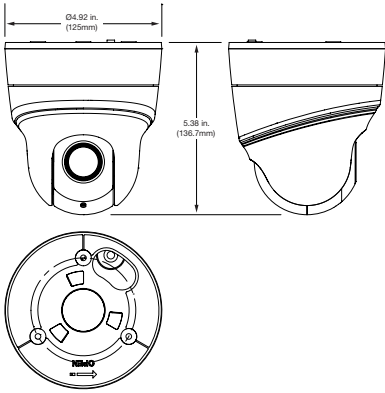
- Face detection
- Region entrance/exit detection
- Intelligent tracking

Environmental and Warranty

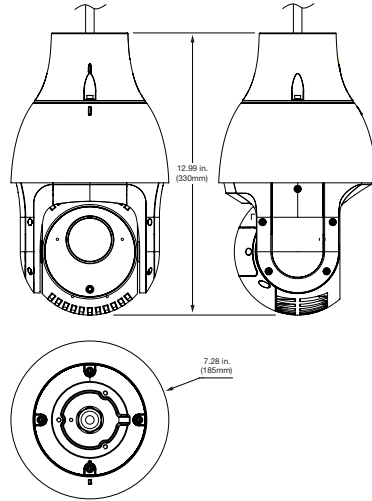
- IP66 environmental rating (on select models)
- 3 year warranty

Dimensional Diagrams

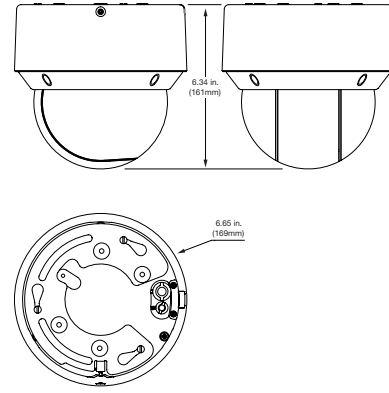
TVP-5101 TruVision® IP Compact PTZ, 4X Optical Zoom



TVP-5102 TruVision IP Compact PTZ, 20X Optical Zoom

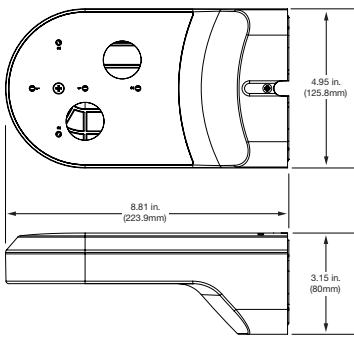


TVP-5103 TruVision IP Compact PTZ, 20X Optical Zoom

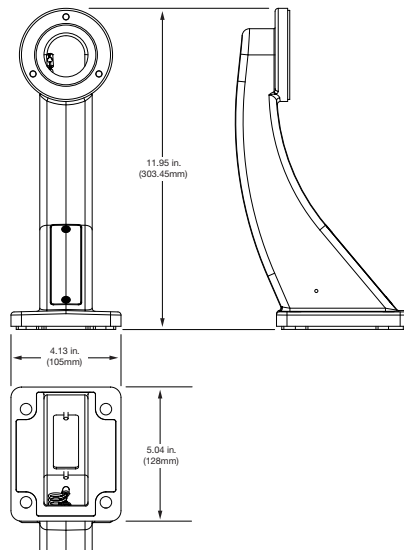


Accessories

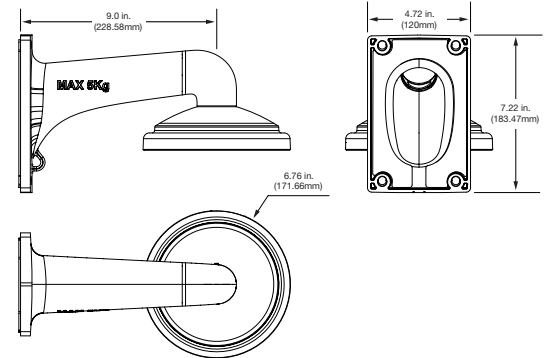
TVP-CWM TruVision Compact PTZ Indoor Wall Mount, plastic



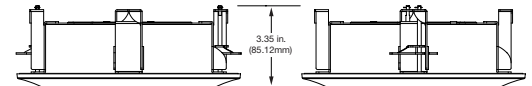
TVP-WMB TruVision PTZ Wall Mount



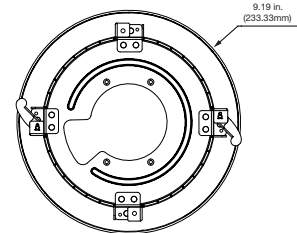
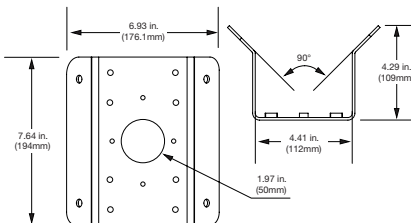
TVP-CCBWM TruVision Compact Cup Base PTZ Wall Mount



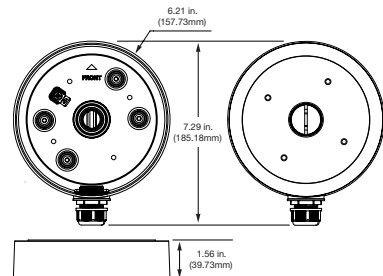
TVP-CFM TruVision Compact PTZ Flush Mount



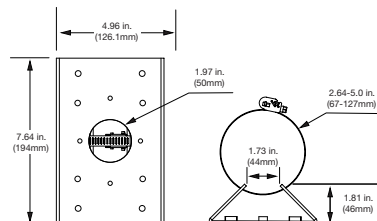
TVP-WM-CM TruVision PTZ Corner Mount Adapter






TVP-CBB TruVision Compact PTZ Back Box



TVP-WM-PM TruVision PTZ Pole Mount Adapter



Specifications

PART NO.	TVP-5101	TVP-5102	TVP-5103
			
Sensor	1/2.8" Progressive Scan CMOS		
Resolution	2MPx		3MPx
Effective Pixels	1920 x 1080		2048 x 1536
Compression/Standard	H.265 / H.264 / MJPEG H.265 and H.264 encoding with Baseline / Main / High profile		
Maximum Resolution (@ FPS)	1920 x 1080 (30fps / 25fps)		2048 x 1536 (30fps / 25fps)
Maximum Real-Time Resolution	1920 x 1080		2048 x 1536
Multiple Streaming	Triple Stream		
Main Stream	50Hz: 25fps (1920 x 1080, 1280 x 960, 1280 x 720) 60Hz: 30fps (1920 x 1080, 1280 x 960, 1280 x 720)		50Hz: 25fps (2048 x 1536, 1920 x 1080, 1280 x 960, 1280 x 720) 60Hz: 30fps (2048 x 1536, 1920 x 1080, 1280 x 960, 1280 x 720)
Sub Stream	50Hz: 25fps (704 x 576, 352 x 288, 640 x 480) 60Hz: 30fps (704 x 480, 352 x 240, 640 x 480)		50Hz: 25fps (704 x 576, 640 x 480, 352 x 288) 60Hz: 30fps (704 x 480, 640 x 480, 352 x 240)
3rd Stream	50Hz: 25fps (1920 x 1080, 1280 x 960, 1280 x 720, 704 x 576, 352 x 288, 640 x 480) 60Hz: 30fps (1920 x 1080, 1280 x 960, 1280 x 720, 704 x 480, 352 x 240, 640 x 480)		50Hz: 25fps (1920 x 1080, 1280 x 960, 1280 x 720, 704 x 576, 640 x 480, 352 x 288) 60Hz: 30fps (1920 x 1080, 1280 x 960, 1280 x 720, 704 x 480, 640 x 480, 352 x 240)
Day/Night	True DN		
Wide Dynamic Range	DWDR	120 dB	
Digital Noise Reduction	3D DNR		
Digital S/N Ratio	>50 dB (AGC Off)		
Electronic Shutter	50Hz: 1 to 1/10,000s; 60Hz: 1 to 1/10,000s		50Hz: 1 to 1/30,000s; 60Hz: 1 to 1/30,000s
Minimum Illumination	Color: 0.05 lux @ f2.0, AGC On; B&W: 0.005 lux		Color: 0.05 lux @ f1.6, AGC On; B&W: 0.01 lux
IR Range	66 ft. (20m) Automatically adjusted depending on zoom ratio	492 ft. (150m) Automatically adjusted depending on zoom ratio	164 ft. (50m) Automatically adjusted depending on zoom ratio
IR Wavelength	850nm		
Lens	2.8 to 12mm (f1.8 to f2.5)	4.7 to 94mm (f1.6 to f3.5)	
Zoom Range	4X Optical (16X Digital)	20X Optical (16X Digital)	
Pan Range and Speed	Range: 350° maximum (it does not pan 360°); Manual Speed: 0.1° to 60°/sec	Range: 360° endless; Manual Speed: 0.1° to 400°/sec; Preset Speed: 400°/sec	Range: 360° endless; Manual Speed: 0.1° to 300°/sec; Preset Speed: 350°/sec
Tilt Range and Speed	Range: 0° to 90°; Manual Speed: 0.1° to 50°/sec	Range: -15° to 90°; Manual Speed: 0.1° to 200°/sec; Preset Speed: 200°/sec	Range: -5° to 90°; Manual Speed: 0.1° to 160°/sec; Preset Speed: 200°/sec
Image Flip	N/A	Auto Flip	
Video Output	N/A	1 - 75Ω, NTSC (or PAL), BNC	N/A
Presets	300		
Patrol	8 patrols, up to 32 presets per patrol		
Pattern	4 patterns, with the recording time not less than 10 minutes per platform		
Privacy Mask	8 privacy masks programmable; optional multiple colors and mosaics		
Network Protocols	HTTP, HTTPS, FTP, SMTP, UPnP, SNMP, DNS, DDNS, NTP, RTSP, RTP, TCP, UDP, IGMP, DHCP, PPPoE		
Ethernet/IP	802.1x, Qos, IPv4 / IPv6		
Media	Micro SD/SDHC/SDXC slot (card not included)		
Capacity	Up to 128GB		
Intelligence	Intrusion detection, Cross line detection, Audio exception detection		Intrusion detection, Cross line detection, Audio exception detection, Face detection, Region entrance detection, Region exiting detection, Intelligent tracking
I/O	1 input / 1 output	2 inputs / 1 output	
Audio	1 Mic in / Line in interface, line input: 2-2.4V[p-p]; output impedance: 1KΩ, ±10% 1 Audio output interface, line level, impedance: 600Ω		
Audio Compression	G.711ulaw / G.711alaw / G.726 / MP2L2 / G.722 / PCM		
Standard	ONVIF® (Profile S, Profile G), PSIA, CGI, ISAPI		
Voltage Input	12VDC	24VAC	12VDC, Power Supply included. Power/line cord is not included.
PoE	PoE	Hi-PoE	PoE+
Current	Max. 1.1A	Max. 2.2A	Max. 2.3A
Power Consumption	9W	32W	18W
Dimensions	4.92 x 5.38 in. (125 x 136.7mm)	7.28 x 2.99 in. (185 x 330mm)	6.65 x 6.34 in. (169 x 161mm)
Weight	1.4 lbs. (0.65kg)	8.82 lbs. (4kg)	5.40 lbs. (2.45kg)
Operating Temperature	-14°F to 122°F (-10° to 50°C), Humidity 90% or less (non-condensing)		-22°F to 149°F (-30° to 65°C), Humidity 90% or less (non-condensing)
Environmental Rating	N/A, Indoor Only		IP66
Vandal Rating	N/A		
Certification	FCC, CE, UL, REACH, RoHS, WEEE		

IP Compact PTZ Camera

2MPx or 3MPx Resolution



Ordering Information

TVP-5101	TruVision® 2MPx, Compact IP PTZ, 4X Optical Zoom, 350° Pan, H.265, H.264, Indoor, Surface Mount, True D/N, DWDR, 20m IR, Audio, Alarm, Micro SD/SDHC/SDXC Slot, PoE/12VDC
TVP-5102	TruVision 2MPx, Compact IP PTZ, 20X Optical Zoom, H.265, H.264, Outdoor, Pendant/Wall Mount, True D/N, WDR, 150m IR, Audio, Alarm, Micro SD/SDHC/SDXC Slot, Hi-PoE (Max 32W)/24VAC, IP66
TVP-5103	TruVision 3MPx, Compact IP PTZ, 20X Optical Zoom, H.265, H.264, Outdoor, Surface Mount, True D/N, WDR, 50m IR, Audio, Alarm, Micro SD/SDHC/SDXC Slot, PoE+/12VDC, IP66

Accessories

For TVP-5101

TVP-CWM	TruVision Compact PTZ Indoor Wall Mount, Plastic
----------------	--

For TVP-5102

TVP-WMB	TruVision PTZ Wall Mount
TVP-WM-CM	TruVision PTZ Corner Mount Adapter (use with TVP-WMB Wall Mount)
TVP-WM-PM	TruVision PTZ Pole Mount Adapter (use with TVP-WMB Wall Mount)

For TVP-5103

TVP-CCBWM	TruVision Compact Cup Base PTZ Wall Mount
TVP-CFM	TruVision Compact PTZ Flush Mount
TVP-CBB	TruVision Compact Back Box



interlogix.com

Specifications subject to change without notice.

© 2018 United Technologies Corporation.
All rights reserved.

All trademarks are the property of their respective owners.
Interlogix is part of UTC Climate, Controls & Security,
a unit of United Technologies Corporation.

2018/10 (GSP-2659)