



Leading transmission solutions for today's demanding IP security networks

IFS® delivers cost-effective, high-performance network transmission solutions for IP video, access and life safety applications.





Robust performance. Complete flexibility.

Offering a wide range of analog and digital products with seamless migration to leading IP technology, IFS® transmission solutions represent high performance and flexibility to meet your current and future needs.

With a comprehensive catalog of network switches, media converters, PoE accessories and power supplies, IFS solutions provide an integrated communication platform that combines powerful hardware with Command Line Interface (CLI) or simple, yet powerful, browser-based software for efficient operation and management.

Industry-leading development and support

Combining solid engineering practices and quality components, IFS products have a long-standing reputation for precise design that is field-proven and time-tested. All IFS network products meet IEEE standards to provide full interoperability with other vendors in an enterprise network environment.

Interlogix provides pre- and post-sales engineering support, and all IFS network products undergo stringent quality control processes backed by a three-year warranty.

Network Switches

The ideal choice for access layer connectivity

IFS® network switches by Interlogix are designed to meet the needs of security integrators. Engineered with a high-bandwidth, non-blocking switch fabric, IFS switches provide low-latency IP video performance and advanced layer 2 and/or layer 3 features offering network interoperability and network management for small-to-medium commercial environments, as well as at the enterprise level.

Key features, such as powerful PoE management, advanced security and built-in diagnostic tools, are all easily accessible through CLI or a browser-based interface. IFS network switches effectively accommodate IP-based video, access and intercom, as well as VoIP and WAP applications.

ES SERIES

BEST APPLICATION Retail • Light Commercial



ES Series Web Smart Switches

Designed for stand-alone Ethernet systems, the IFS Economy Series (ES) Web Smart switches provide basic Layer 2 management capabilities with RJ45/SFP GigE trunking ports. These switches also have a built-in PoE power budget meter on the front panel for easy monitoring of power usage.

- 8, 16 or 24 10/100Mbps RJ45 ports
- 2 RJ45/SFP GigE Combo ports
- IEEE 802.3af/at PoE - Power up to 30.8 watts per port
- Easy to view PoE Usage LED meter on front panel
- Web Smart Layer 2 Management
- Unmanaged 8-port with 4-port PoE Injector version also available

ES Series Ordering Information

ES Series Unmanaged Switches

ES3002-4P-4T 8-Port Fast Ethernet with 4-port PoE Unmanaged Switch

ES Series Web Smart Switches

ES2402-8P-2C 8-Port Fast Ethernet PoE-at Web Smart Switch plus 2 GigE RJ45/SFP Combo Ports

ES2402-16P-2C 16-Port Fast Ethernet PoE-at Web Smart Switch plus 2 GigE RJ45/SFP Combo Ports

ES2402-24P-2C 24-Port Fast Ethernet PoE-at Web Smart Switch plus 2 GigE RJ45/SFP Combo Ports

Network Switches

HIGH PERFORMANCE

BEST APPLICATION Enterprise • Educational/Campus



Gigabit L2 Managed Switches

Designed for efficient connectivity from the network edge to a backbone switch or server, IFS® Gigabit Ethernet L2 Managed Switches offer GigE copper or fiber (SFP) trunking and powerful full-power PoE capabilities.

Powerful Network Management

- IPv4 and IPv6 Support
- Powerful QoS, bandwidth and traffic management
- Multicasting with Snooping and IGMP Query
- Advanced security
- Built-in diagnostic tools

Robust PoE Management

- Total power budget control
- Per port control (enable/disable, priority, power limit)
- Powered Device (PD) classification detection
- PoE scheduling

Gigabit Managed Switches Ordering Information

L2 Network Switches

NS3502-8P-2T-2S 8-Port PoE+ (30W) GigE + 2 RJ45 & 2 SFP Uplink Ports Managed Switch

L2 Network Switch (Non-PoE)

NS3500-28T-4S 28-Port L2 GigE Managed Switch w/4 Shared SFP Ports

Enterprise-class Gigabit L3 Managed Switches

IFS Enterprise-class Gigabit L3 Managed Switches are engineered to provide high-performance reliable PoE distribution and high bandwidth optical network transmission.

Powerful Network Performance

- Layer 3 static-routing
- 10G SFP+ ports
- Switch stacking (NS4802 Series only)
- Robust PoE Power Budgets

Built-in diagnostics/troubleshooting tools

- PoE management
- Cable diagnostics
- Local/Remote syslog
- PoE Powered Device (PD) Alive-checking

Enterprise-class Gigabit Managed Switches Ordering Information

L3 Network Switches

NS3702-24P-4S 24-Port Gigabit Ethernet w/4 Gigabit SFP Ports, PoE+ and L3 Static Routing

L3 Network Switches (10G SFP+)

NS4702-24P-4S-4X 24-Port L3 Gigabit PoE+ Managed Switch w/4 Shared GigE SFP Ports and 4 10Gig SFP+ Ports

NS4750-24S-4T-4X 24-Port L3 Gigabit Fiber Managed Switch w/4 10Gig SFP+ Ports

NS4802-24P-4S-2X 24-Port L3 GigE PoE+ Managed Stacking Switch w/2 10Gig SFP+ Ports and 2 10Gig Stacking Ports



Gigabit PoE-Ultra Managed Switch

The IFS® 16-Port Gigabit Ethernet Managed Switch features eight 10/100/1000Mbps Gigabit Ethernet ports with support for Ultra-PoE (60w) plus 4 RJ45/SFP combo ports. Both 100Base-X or 1000Base-X fiber is supported through two GBIC interfaces allowing this switch to provide fast and efficient connectivity from the network edge to a backbone switch or server.

- Robust Layer 2 features
- Engineered for real-time performance
- Full power, isolated per Port PoE
- Built-in monitoring, diagnostics and troubleshooting tools

Gigabit Managed Switch Ordering Information

L2 Network Switches (PoE-Ultra)

NS3503-16P-4C 16-Port Gigabit Ethernet PoE-Ultra Managed Switch



PoE-Ultra Injector and Extender

The IFS PoE-Ultra Ethernet Injector and 4-port Extender provide a quick and easy solution to PoE-Ultra power (60w) on Ethernet cable. Utilizing Category Network cable, the injector remotely powers a 4-port extender that provides data and up to 15.4w PoE per port to power devices beyond 100 meters (328 ft.).

- Compact size
- Remote power to network edge flexibility
- Standalone, wall-mount or DIN-rail (POE303-EX-4P only)
- POE303-EX-4P can also be used with the IFS NS3503-16P-4C PoE-Ultra Network Switch
- 10/100/1000Base-TX Ethernet support
- IEEE 802.3/802.3u/802.3ab compliance
- IEEE 802.3af/at or IFS PoE-Ultra
- Auto-detect of PoE IEEE 802.3af/at or IFS PoE-Ultra equipment to assist in installation
- Current overload detection
- LED indicators for PoE In, PoE Out, Data
- POE303-MS: (1) RJ45 Data in / (1) RJ45 Data/PoE-Ultra (60w) out
- POE303-EX-4P: (1) RJ45 Data/PoE-Ultra (60w) in / (4) RJ45 Data/PoE-af/at out
- For use with EIA568 Category 5 or better cables
- 3-year warranty

Injector and Extender Ordering Information

PoE-Ultra Injector

POE303-MS PoE-Ultra 60W Midspan Injector

PoE-Ultra Extender

POE303-EX-4P Gigabit Ethernet PoE-Ultra to 4-Port PoE+ Extender

Power over Coax



Power Over Coax (PoC) Network Switches & Media Converters

The IFS® Power over Coax Network Switches and Media Converters are designed to transmit both Ethernet data and power over coax cable up to 1km (3,280 ft.) This solution provides a cost-effective approach by reducing installation cost and increasing ROI by utilizing existing coax to migrate an existing analog system to an IP video surveillance system.

- 1, 8 or 16 BNC ports
- IEEE 1901 standard for power modulation
- PD Alive checking
- 128-bit AES security encryption
- Daisy-chain (up to 3 devices on one link)
- 10/100Mbps Ethernet (POC252 series)
- Auto-negotiation and auto MDI/MDI-X
- Half-duplex back pressure and IEEE 802.3x full-duplex pause-frame flow control
- Gigabit RJ45/SFP fiber ports (POC2502 series)
- IEEE 802.3af/at on RJ45 Ethernet port compliant (POC2502 series)
- Up to 36W insertion power per coax port (POC2502 series)
- Up to 440W total power budget (dependent on switch model)
- Remote power up to 3,281 ft. (1km) with RG6 75Ω coaxial cable
- Full PoE management

Power over Coax Ordering Information

Power Over Ethernet Switches

POC2502-8CXP-2T-2S 8-Port BNC IP Power over Coax PoE-at Managed Switch plus 2 SFP and 2 TP Gigabit Uplink Ports

POC2502-16CXP-2T-2S 16-Port BNC IP Power over Coax PoE-at Managed Switch plus 2 SFP and 2 TP Gigabit Uplink Ports

Power Over Ethernet Media Converters

POC252-1CX-1P IP Power over Coax (camera end) Media Converter with 1-Port TP PoE-at

POC252-1CXP-1T IP Power over Coax (head end) Media Converter, injects power over coax

Typical Analog Retrofit to IP Solution

1. Replace analog cameras with IP cameras

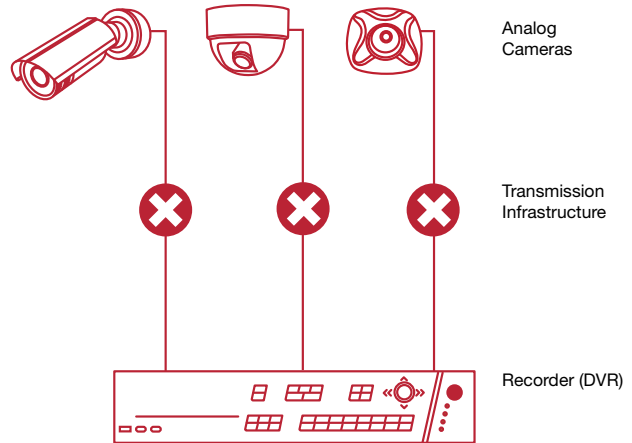
2. Rebuild entire transmission architecture:

- ✗ Remove coax and lose ROI on cabling investment
- ✗ Ethernet/IP Network design skill set required
- ✗ Configure and test network system

3. Additional cost of migration:

- ✗ Increased material and labor cost by pulling new Cat 5e or Cat 6 cabling
- ✗ Increased cost of network switches at MDF/IDF closets

4. Replace DVR with NVR



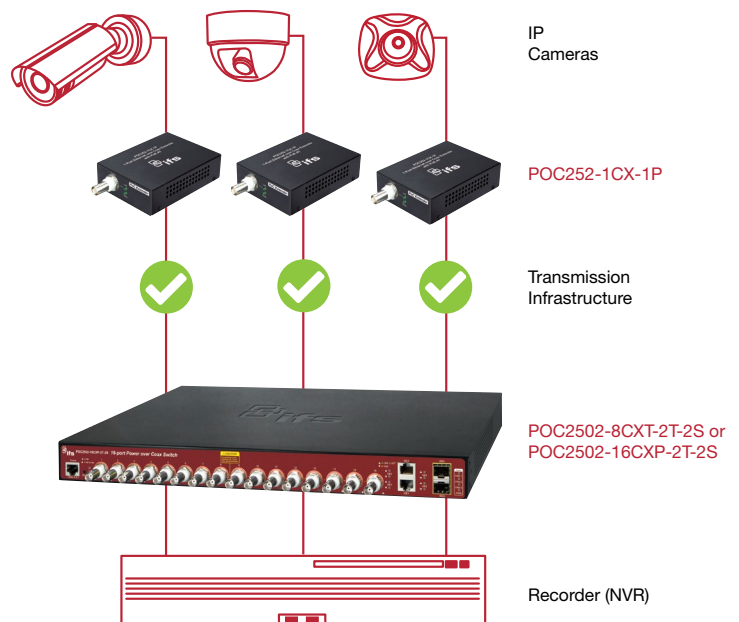
IFS® PoC Analog Retrofit to IP Solution

1. Replace analog cameras with IP cameras

2. Redeploy existing coax cabling:

- ✓ Only replace obsolete hardware
- ✓ Increase ROI on cabling
- ✓ Reduced labor cost not having to pull new cable
- ✓ Less networking hardware required
- ✓ Minimal network design skill set required

3. Replace DVR with NVR



Network Switches

HIGH PERFORMANCE

BEST APPLICATION Transportation • Airports • Parking Lots



Industrial Gigabit Managed PoE+ Switch

The IFS® Industrial GigE PoE+ Managed Switch is engineered for optimum performance in harsh and demanding environments, including highway/mass transit, factories and warehouse locations. With the IFS industrial fail-safe ring topology, these switches are specifically designed for mission-critical network recovery and integrity.

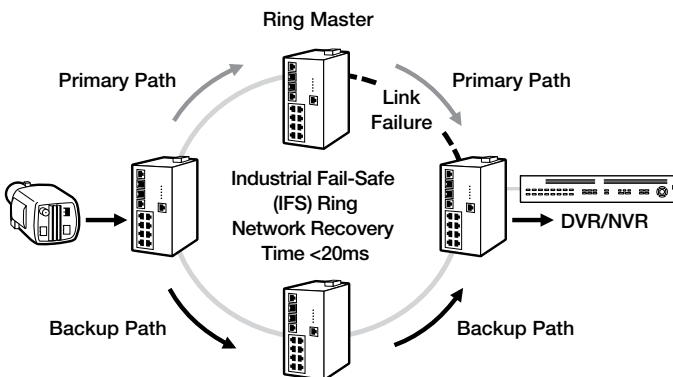
- 8 or 16 RJ45 GigE ports
- 2 GigE SFP or SFP/RJ45 Combo ports
- Support IEEE802.3-af/at
- PD-alive checking
- IFS redundant-ring topology w/ < 20ms network recovery time
- Redundant power with alarm outputs
- Voltage/surge suppression
- -40°C to 75°C operating temperature range

Industrial Gigabit Managed Non-PoE Switches

IFS Industrial Gigabit Managed Switches meet a variety of high-performance copper or optical fiber applications.

- 8-port GigE RJ45 with 2 SFP (fiber) trunking ports
- 8-port GigE SFP (fiber) with 2 RJ45 trunking ports
- IFS redundant-ring topology with < 20ms network recovery time
- Redundant power with alarm outputs
- Voltage/surge suppression
- -40°C to 75°C operating temperature range

NS3552-8P-2S or NS3552-16-2C
Self-healing Ring Topology – 2 physical routes at the edge



Industrial Gigabit Managed Switches Ordering Information

Industrial Gigabit Managed Switch (PoE+)

NS3552-8P-2S 8-Port Gigabit Industrial PoE+ (30W) Managed Switch plus 2 SFP Ports

NS3552-16P-2T-2S 16-Port Gigabit PoE+ Industrial Switch

Industrial Gigabit Managed Switches (Non-PoE)

NS3550-8T-2S 8-Port Gigabit Ethernet Industrial + 2-SFP Managed Switch

NS3550-2T-8S 8-Port Gigabit Ethernet Industrial SFP (Fiber) + 2-RJ45 Managed Switch

Industrial Network Switches

HARSH ENVIRONMENTS



Industrial Unmanaged Switches

Designed for easy, “plug-and-play” connectivity, IFS® Unmanaged Ethernet Switches represent a rugged, reliable transmission solution well suited for demanding industrial environments. Easy to install and maintain, these robust switches provide fast and reliable data network transfer to the network edge.

GigE/Fast Ethernet Unmanaged Switches

- 10/100 or 10/100/1000Mbps RJ45 ports
- Redundant power with alarm outputs
- Voltage/surge suppression
- -40°C to 75°C operating temperature range
- Built-in 4-port PoE-af (15.4W) Injector (NS2051-4P/1T only)

Industrial Unmanaged Switches Ordering Information

Unmanaged Fast Ethernet with PoE-af (15.4W)

NS2051-4P/1T 5-Port Fast Ethernet Industrial Unmanaged Switch w/
4-Port PoE (15.4W)

Unmanaged Gigabit Ethernet (Non-PoE)

NS3050-8T 8-Port Gigabit Industrial Unmanaged Switch

Low-profile Wall-Mount Industrial PoE+ Managed Switch

The IFS Low-profile Wall-mount Industrial PoE+ Managed Switch is engineered for optimum performance in harsh and demanding environments, such as highways/mass transit, factories and warehouse locations. The slim low-profile design is ideal for installation in areas of limited space.

- 8 RJ45 GigE ports
- 2 SFP GigE ports
- Supports IEEE802.3-af/at
- Slim IP-30 metal enclosure
- Wall mount or magnet fittings
- 52 to 56VDC operation
- Terminal block or DC receptacle for power
- Voltage/surge suppression
- -40°C to 75°C operating temperature range

Industrial Managed Switch Ordering Information

NEED COPY FOR THIS LINE

NS3562-8P-2S Low-profile Wall-mount Industrial PoE+ Managed Switch

Media Converters

Cost-effective solution for challenging analog to IP migrations

IFS® media converters by Interlogix utilize existing fiber or telephone-wire cabling to migrate from analog to IP transmission easily and efficiently. Reliable and cost-effective, these converters allow system integrators to fully leverage the investment of end-users' existing cabling infrastructure with proven, industry-standard technology.

MCR SERIES COMMERCIAL-GRADE MEDIA CONVERTERS



10/100BASE-TX over Fiber

- 10/100BASE-TX (Fast Ethernet)
- 1 SFP port (100BASE-FX)
- Multi-mode or single mode
- Up to 43.5 miles (70.0km)

GigE Ethernet over Fiber

- GigE Ethernet
- 1 SFP port (1000BASE-SX/LX)
- High-bandwidth transmission
- Multi-mode or single mode
- Up to 43.5 miles (70.0km)

MCR Chassis

The IFS MCR Series Media Converter Rack offers a low-profile (2.4U) design for efficient, high-density media converter installation in a standard EIA 19" rack. The chassis can accommodate up to 15 media converter modules from the IFS MCR Series family of media converters for Fast or Gigabit Ethernet transmission over optical fiber or telephone wire.

- Robust design: Standard EIA 19"
- Plug-and-Play design
- Hot-swappable
- Built-in diagnostic indicators
- Convenient universal 100-240VAC power supply
- Two rear panel power bays for redundant power supply
- Electrically isolated power bays for highly reliable operation
- 3-year warranty

Media Converters Ordering Information

MCR Series Media Converters

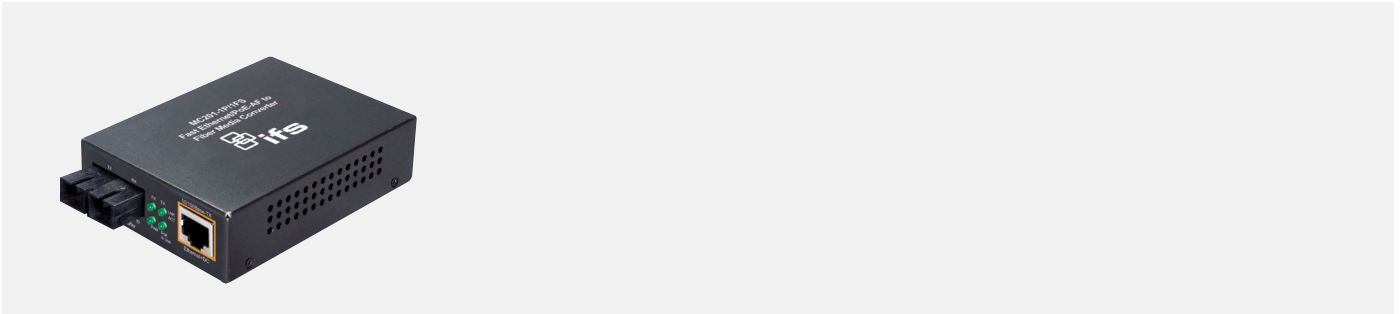
MCR205-1T/1S	Fast Ethernet over Fiber (1 SFP Port)
MCR300-1T/1S	Gigabit Ethernet over Fiber (1 SFP Port)

Media Converter Chassis Ordering Information

MCR Series Media Converter Chassis

MCR-R15	MCR Chassis w/Internal Power Supply - 15 slots
MCR-RPS	Internal Redundant Power Supply

COMMERCIAL-GRADE MEDIA CONVERTERS



Fiber to Power over Ethernet (PoE) Media Converters

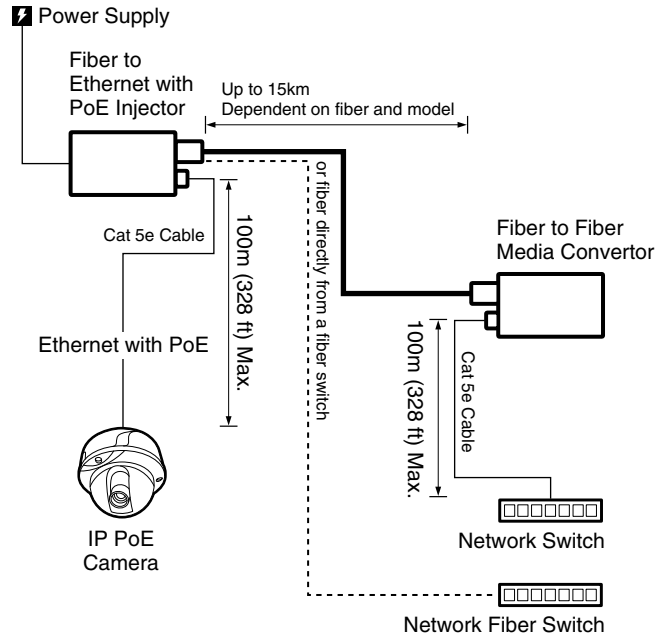
The IFS® Fiber to Ethernet Media Converters with PoE Injectors provide a cost-effective solution for deploying remote PoE powered edge devices with optical fiber.

- 10/100Base-TX
- Complies w/IEEE 802.3, IEEE 802.3u, IEEE 802.3-af
- Auto-negotiation and MDI/MDI-X
- Inserts 48VDC (15.4W) power on category network cable
- Protects non-PoE devices if accidentally connected
- 100Base-FX
- Multi-mode or single mode versions
- Distances up to 15km
- Plug-and-Play installation
- Compact size
- Auto loop back test function
- 3-year warranty

Fiber to Power over Ethernet Media Converters Ordering Information

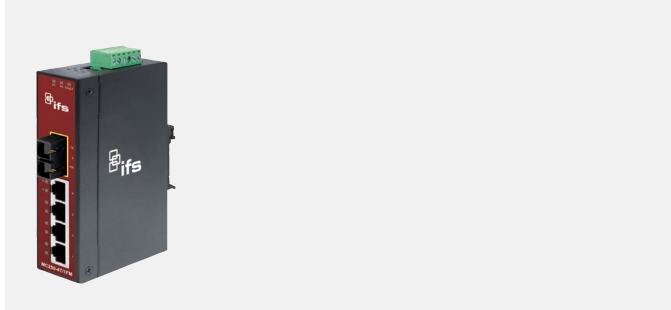
Fiber to PoE Media Converters

MC100FX-TX-POE	Fast Ethernet/PoE (15.4W) to MM Fiber Media Converter - 2km
MC201-1P/1FS	Fast Ethernet/PoE (15.4W) to SM Fiber Media Converter - 15km



Media Converters

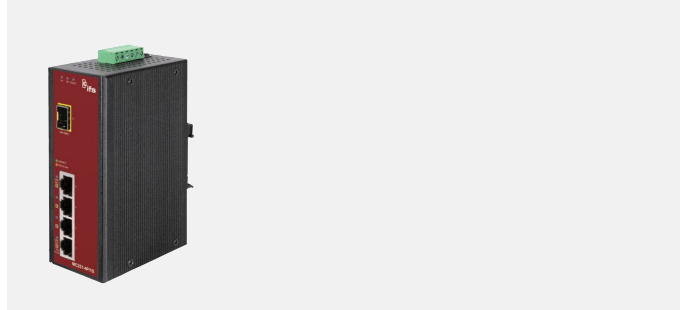
INDUSTRIAL-GRADE MEDIA CONVERTERS



Fast Ethernet to SC Media Converters

The IFS® Fast Ethernet to SC (fixed optics) Industrial Media Converters are designed for the most demanding IP network applications. These converters also offer multimode or single mode fiber for optimizing network performance with wide operating temperature range.

- 1 or 4 port 10/100Mbps RJ45 ports
- 1 or 2 Fiber (SC) ports
- Redundant power with alarm outputs
- Voltage/surge suppression
- -40°C to 75°C operating temperature range



Fast Ethernet to SFP Media Converters

IFS Fast Ethernet to SFP Industrial Media Converters offer the flexibility of SFP technology for optimizing network performance with operating temperature range. These converters are also designed to meet the needs of the most demanding IP network applications.

- 1 or 4 port 10/100Mbps RJ45 ports
- 1 or 2 Fiber (SFP) ports
- IEEE802.3-af (15.4W) [MC251-4P/1S only]
- Redundant power with alarm outputs
- Voltage/surge suppression
- -40°C to 75°C operating temperature range

Fast Ethernet Media Converters Ordering Information

Fast Ethernet to Fiber (Fixed Optics)	
MC250-4T/1FM	4-Port Fast Ethernet to 1-Port MM Fiber Industrial Media Converter - 2km
MC250-4T/1FS	4-Port Fast Ethernet to 1-Port SM Fiber Industrial Media Converter - 15km
MC-4TX2FX	4-Port Fast Ethernet to 2-Port MM Fiber Media Converter - 2km

Fast Ethernet Media Converters Ordering Information

Fast Ethernet to Fiber (SFP)	
MC250-1T/1S	Fast Ethernet to SFP Industrial Media Converter
MC250-4T/2S	4-Port Fast Ethernet to 2-Port SFP Fiber Industrial Media Converter
MC251-4P/1S	4-Port Fast Ethernet to 1-Port SFP Industrial Media Converter w/PoE (15.4W)

INDUSTRIAL MEDIA CONVERTERS



Gigabit Ethernet over Fiber (SFP)

IFS® Industrial Gigabit Media Converters are unmanaged switches that are ideally suited for challenging environments, including transportation and a wide range of industrial security applications.

- 4-port 10/100/1000Mbps RJ45 ports
- 1 or 2 SFP (Fiber) ports
- IEEE 802.3-at (30W) PoE option (dependent on model)
- Redundant power with alarm outputs
- Voltage/surge suppression
- -40°C to 75°C operating temperature range

Gigabit Ethernet over Fiber Ordering Information

Gigabit Ethernet to Fiber (SFP)

MC352-1P/1S Gigabit Ethernet to SFP Industrial Media Converter w/PoE+ (30W)

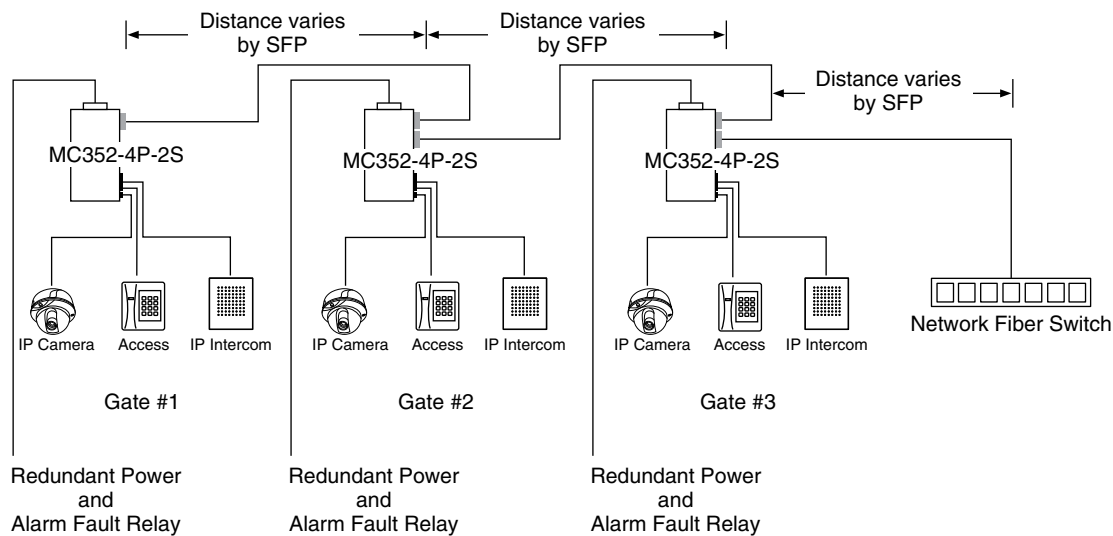
MC352-1T/1S Gigabit Ethernet to SFP Industrial Managed Media Converter

Gigabit Ethernet to Fiber (SFP) Drop-and-Repeat

MC350-4T-2S 4-Port Gigabit Ethernet to 2-Port SFP Industrial Media Converter

MC352-4P-2S 4-Port Gigabit Ethernet to 2-Port SFP Industrial Media Converter w/PoE+ (30W)

Drop-and-Repeat Application





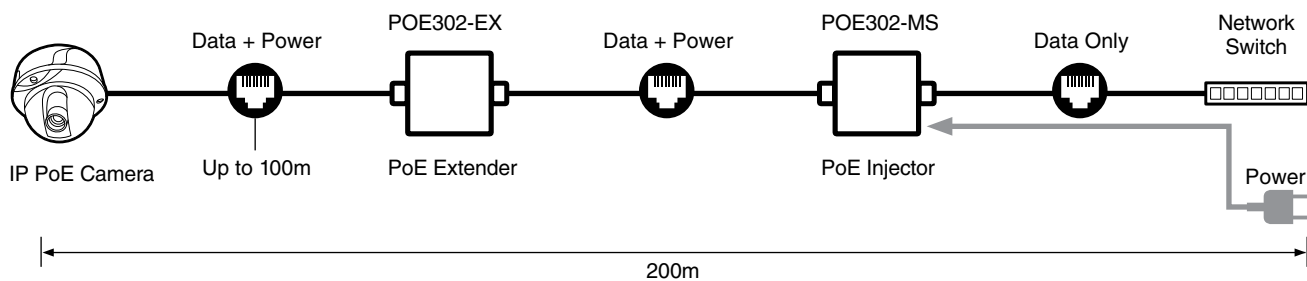
Your one-source
transmission
solutions provider.

PoE Accessories & Power Supplies

Solutions for enhanced flexibility in PoE distributed systems

Delivering stable network distributed power is critical for today's demanding end-point devices. IFS® Power over Ethernet (PoE) accessories by Interlogix provide a full line of and external power supply options for flexible, robust and reliable power for IP network infrastructures.

POWER OVER ETHERNET ACCESSORIES



IFS Power over Ethernet (PoE) accessories provide quick and easy solutions for PoE challenges. A full range of IEEE 802.3-af or at compliant products allows for injecting, extending or splitting Power over Ethernet cable to provide extreme flexibility in handing PoE at the edge for powered devices, including IP-based Video, Access and Intercom, as well as VoIP and WAP applications.



PoE Injectors

- IEEE 802.3-af or -at compliant
- Fast or Gigabit Ethernet
- 15.4 or 30W PoE
- 4-port Fast Ethernet/PoE-af



PoE Extenders

- IEEE 802.3-af or -at compliant
- Fast or Gigabit Ethernet
- Extend PoE Ethernet beyond 100m
- Requires no external power supply

Power over Ethernet Accessories Ordering Information

PoE Injectors

MS-POE Fast Ethernet PoE-af (15.4W) Mid-span Injector

POE302-MS Gigabit Ethernet PoE-at (30W) Mid-span Injector

PoE Extenders

POE201-EX Fast Ethernet POE-af (15.4W) Extender

POE302-EX Gigabit Ethernet POE-at (30W) Extender

PoE Accessories and Power Supplies

POWER SUPPLIES



Wall-Mount Power Supplies

- 5VDC power supplies for MCR Series modules
- 12VDC with interchangeable plugs for use in various countries/regions
- 48 and 56VDC power supplies for single-port PoE and PoE+ applications

Power Supplies Ordering Information

For non-PoE Products

PS5VDC2A-US 5VDC –10W Wall-Mount Power Supply

PS12VDC1.5A-U 12VDC –18W Wall-Mount Power Supply

For Single-port PoE-af (15.4W) Products

PS48VDC.38A-US 48VDC –18W Wall-Mount Power Supply

PS48VDC72W-US 48VDC – 72W Wall-Mount Power Supply

For Single-port PoE-af (30W) Products

PS56VDC72W-US 56VDC – 72W Wall-Mount Power Supply



Industrial DIN-Rail Power Supplies

Engineered for use in industrial environments, IFS® DIN-rail power supplies provide reliable operation for high power demand applications.

- 48VDC for PoE and PoE+ multi-port products
- Available in 100W, 240W and 480W versions
- 94% high efficiency and low power dissipation

Power Supplies Ordering Information

DIN-rail Mount Hardened (Wide-temp) Power Supplies

PS48VDC100W-DIN 48VDC 100W DIN-Rail Power Supply

PS48VDC240W-DIN 48VDC 240W DIN-Rail Power Supply

PS48VDC480W-DIN 48VDC 480W DIN-Rail Power Supply

Surface Mount Hardened (Wide-temp) Power Supply

HLG-240-48 48VDC 240W Industrial Power Supply



Surge Protector

Surge Protector Ordering Information

Ethernet Surge Protector

ESP-300 20KA 10/100/1000Mbps Ethernet Surge Protector w/PoE Pass-through

Small Form-factor Pluggables (SFPs)

High-performance transmission over optical fiber

IFS® Small Form-Factor Pluggable (SFP) transceiver modules by Interlogix are designed for high-performance, integrated duplex data transmission over optical fiber. These SFP transceiver modules are compliant with the industry's SFP Multi-Source Agreement (MSA) standard.*



Fast Ethernet

IFS Fast Ethernet SFPs are available in multi-mode or single mode versions, 1- or 2-fiber configurations with LC connectors. Hardened versions operating in a wide temperature range of -40°C ~ 75°C are also available with transmission distances up to 20km.

Fast Ethernet SFP Ordering Information

Part	Media	Description	Distance
2 Fiber (Multi-mode)			
S20-2MLC-2	MM	SFP - 100Mbps 2MM Fiber LC	2km
2 Fiber (Single mode)			
S20-2SLC-20	SM	SFP - 100Mbps 2SM Fibers LC	20km
1 Fiber (Single mode)			
S20-1SLC/A-20	SM	SFP - 100Mbps 1SM Fiber LC/A	20km
S20-1SLC/B-20	SM	SFP - 100Mbps 1SM Fiber LC/B	20km
Hardened (Wide-temp)			
S25-2MLC-2	MM	SFP - 100Mbps 2MM Fibers LC	2km
S25-2SLC-20	SM	SFP - 100Mbps 2SM Fibers LC	20km

10 Gigabit Ethernet

10G Ethernet SFP+ modules are available for multi-mode or single mode applications.

10 Gigabit Ethernet SFP Ordering Information

Part	Media	Description	Distance
S40-2MLC	MM	SFP+ - 10Gbps 2MM Fibers LC	300m
S40-2SLC-10	SM	SFP+ - 10Gbps 2SM Fibers LC	10km

Gigabit Ethernet

Gigabit Ethernet SFPs are available in multi-mode or single-mode versions, 1- or 2-fiber configurations with LC connectors. An SFP with an RJ45 connector is available to add additional copper ports to a fiber network switch. Gigabit Ethernet SFPs are also available in hardened versions with transmission distances up to 70km.

Gigabit Ethernet SFP Ordering Information

Part	Media	Description	Distance
Copper (RJ45)			
S30-RJ	TP	SFP - 1000Mbps RJ45	100m
2 Fiber (Multi-mode)			
S30-2MLC	MM	SFP - 100Mbps 2MM Fibers LC	220/550m
S30-2MLC-2	MM	SFP - 100Mbps 2MM Fibers LC	2km
2 Fiber (Single mode)			
S30-2SLC-10	SM	SFP - 1000Mbps 2SM Fiber LC	10km
S30-2SLC-30	SM	SFP - 1000Mbps 2SM Fiber LC	30km
S30-2SLC-70	SM	SFP - 1000Mbps 2SM Fiber LC	70km
1 Fiber (Single mode)			
S30-1SLC/A-10	SM	SM SFP - 1000Mbps 1SM Fiber LC/A	10km
S30-1SLC/B-10	SM	SM SFP - 1000Mbps 1SM Fiber LC/B	10km
S30-1SLC/A-20	SM	SFP - 1000Mbps 1SM Fiber LC/A	20km
S30-1SLC/B-20	SM	SFP - 1000Mbps 1SM Fiber LC/B	20km
S30-1SLC/A-60	SM	SFP - 1000Mbps 1SM Fiber LC/A	60km
S30-1SLC/B-60	SM	SFP - 1000Mbps 1SM Fiber LC/B	60km
Hardened (Wide-temp)			
S35-2MLC	MM	SFP - 1000Mbps 2MM Fiber LC	220/550m
S35-2SLC-10	SM	SFP - 1000Mbps 2SM Fiber LC	10km
S35-2SLC-30	SM	SFP - 1000Mbps 2SM Fiber LC	30km
S35-2SLC-70	SM	SFP - 1000Mbps 2SM Fiber LC	70km

*MSA Agreement: SFF-8472 - Rev 12.2 November 21, 2014

Network Switches Comparison Matrix

Part Number	Port Type		Ports	PoE			Uplink Ports			Management				Environ.	Recommended Power Supply
	Fast Ethernet	Gigabit Ethernet		PoE (15.4w)	PoE+ (30.8w)	PoE Ultra (60w)	Uplink	SFP	SFP+	Unmanaged	Web Smart	Managed	L3 Static Routing		
Economy Switches															
ES3002-4P-4T	●		8	4	2		N/A	N/A		●					Built-in
ES2402-8P-2C	●		8	8	4		2 TP/SFP (Combo)	S20/S30 Series			●				Built-in
ES2402-16P-2C	●		16	16	7		2 TP/SFP (Combo)	S20/S30 Series			●				Built-in
ES2402-24P-2C	●		24	24	12		2 TP/SFP (Combo)	S20/S30 Series			●				Built-in
Network Switches															
NS3502-8P-2T-2S		●	8	8	5		2 SFP + 2 RJ45	S20/S30 Series				●			Built-in
NS3503-16P-4C		●	16	16	13	6	4 TP/SFP (Combo)	S20/S30 Series				●			Built-in
NS3500-28T-4S		●	28				4 SFP (Shared)	S20/S30 Series				●			Built-in
NS3702-24P-4S		●	24	24	12		4 SFP (Shared)	S20/S30 Series				●	●		Built-in
NS4702-24P-4S-4X		●	24	24	14		4 SFP 4 SFP+	S20/S30 Series	S30/S40 Series			●	●		Built-in
NS4802-24P-4S-2X		●	24	24	12		4SFP 2SFP+ 2 Stacking	S20/S30 Series	S30/S40 Series			●	●		Built-in
NS4750-24S-4T-4X		●	4 TP (Shared)				24 SFP 4 SFP+	S20/S30 Series	S30/S40 Series			●	●	●	Built-in or external DC Power Supply option (PS48VDC100W-DIN)
Industrial Switches															
NS2051-4P/1T	●		5	4			100Mbps (TP)	N/A		●				●	PS48VDC100W-DIN
NS3550-8T-2S		●	8				2 SFP	S20/S25 or S30/S35 Series				●		●	PS12VDC1.5A-U
NS3552-8P-2S		●	8	8	8		2 SFP	S20/S25 or S30/S35 Series				●		●	PS48VDC480W-DIN
NS3562-8P-2S		●	8	8	6		2 SFP	S20/S25 or S30/S35 Series				●		●	PS48VDC480W-DIN
NS3552-16P-2T-2S		●	16	16	13	6	2 RJ45/ 2 SFP	S20/S25 or S30/S35 Series				●		●	PS48VDC480W-DIN
NS3550-2T-8S		●	2				8 SFP	S20/S25 or S30/S35 Series				●		●	PS12VDC1.5A-U
NS3050-8T		●	8				100Mbps (TP)	N/A		●				●	PS12VDC1.5A-U
Surge Protector															
ESP-300	●	●	1	Pass-through	Pass-through										N/A

Part Number	Fast Ethernet	BNC Ports	Power over Coax (36w)	Uplink	SFP	Managed	Power Supply
POC Switch							
POC2502-8CXP-2T-2S	●	8	●	2 RJ45/ 2 SFP	S20/S30 Series	●	Built-in
POC2502-16CXP-2T-2S	●	16	●	2 RJ45/ 2 SFP	S20/S30 Series	●	Built-in

Media Converters Comparison Matrix

Part Number	MCR Series Compatible	Industrial/Hardened	Fast Ethernet	Gigabit Ethernet	Coax	POTS Wire	Optical Fiber or SFPs	PoE	Recommended Power Supply
Power over Coax									
POC252-1T-1CXP		•	•		•			AT (30W)	PoE Switch or PS56VDC72W-US
POC252-1P-1CX		•	•		•			AT (30W)	Power via Coax
Ethernet to Fiber									
MCR205-1T/1S	•		•				S20 Series		PS5VDC2A-US
MC100FX-TX-POE			•				MM – 2km	AF (15.W)	PS48VDC.38A-US
MC201-1P/1FS			•				SM – 15km	AF (15.W)	PS48VDC.38A-US
MC-4TX2FX			•				MM – 2km		PS12VDC1.5A-U
MCR300-1T/1S	•			•			S30 Series		PS5VDC2A-US
MCR300-1T-2S	•			•			S20 or S30 Series		PS5VDC2A-US
Industrial Ethernet to Fiber									
MC250-1T/1S		•	•				S20/S25 Series		PS12VDC1.5A-U
MC250-4T/1FM		•	•				MM – 2km		PS12VDC1.5A-U
MC250-4T/1FS		•	•				SM – 15km		PS12VDC1.5A-U
MC251-4P/1S		•	•				S20/S25 Series	AF (15.W)	PS48VDC100W-DIN
MC250-4T/2S		•	•				S20/S25 Series		PS12VDC1.5A-U
MC355-1T/1S		•		•			S30/S35 Series		PS12VDC1.5A-U
MC350-1T-2S		•		•			S20/25 or S30/35 Series		PS12VDC1.5A-U
MC352-1P/1S		•		•			S20/S25 or S30/S35 Series	AT (30W)	PS48VDC100W-DIN
MC350-4T-2S		•		•			S20/S25 or S30/S35 Series		PS12VDC1.5A-U
MC352-4P-2S		•		•			S20/S25 or S30/S35 Series	AT (30W)	PS48VDC240W-DIN HLG-240-48
MCR Card Cage									
MCR-R15	•								MCR-RPS
MCR-RPS	•								
Surge Protector									
ESP-300			•	•				Pass-Through	N/A

PoE Comparison Matrix

	Fast Ethernet	Gigabit Ethernet	PoE-af 15.4 W	PoE-at 30 W	PoE Ultra 60 W	No PS Required	Recommended Power Supply
PoE Injectors							
MS-POE	•		•				PS48VDC.38A-US
POE302-MS		•		•			PS56VDC72W-US
POE303-MS		•			•		PS48VDC65W-US
PoE Extender							
POE201-EX	•		•			•	N/A
POE302-EX		•		•		•	N/A
POE303-EX-4P		•			•	•	N/A



Interlogix provides global security products to meet the demands of the modern world. With leading security & life safety solutions for residential and commercial applications, Interlogix offers some of the most-trusted product names for intrusion, video and access control including IP solutions and home system management for lifestyle convenience. Interlogix helps customers secure and protect what matters most. For more information, visit www.interlogix.com, or follow us on Twitter @Interlogix.

interlogix.com/ifs



interlogix.com



@Interlogix



Interlogix Channel

Specifications subject to change without notice.

© 2016 United Technologies Corporation. All rights reserved.
All trademarks are the property of their respective owners.
Interlogix is part of UTC Climate, Controls & Security, a unit of United Technologies Corporation.

707-4157 2017/07 (GSP-2153)

The information contained herein is offered in good faith and believed to be accurate. However, the conditions and methods of use of our products are beyond our control. Accordingly all suggestions for use, including those of best application, should not be used in substitution for customer's own analysis and judgment to ensure that products are effective and fully satisfactory for the intended end use. UTCFSA's sole warranties and remedies for breach are as set forth in the return and warranty policy available at www.interlogix.com. INTERLOGIX SPECIFICALLY DISCLAIMS ANY OTHER EXPRESS OR IMPLIED WARRANTY OF FITNESS FOR A PARTICULAR PURPOSE OR MERCHANTABILITY.