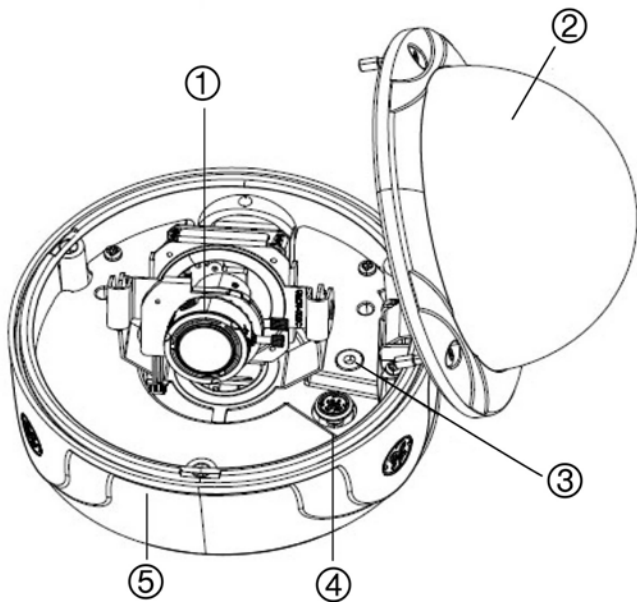


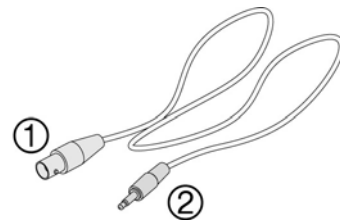
UVD-XP3DNR(-P) Camera Installation Sheet

EN DE ES FR IT NL PL PT RU TR

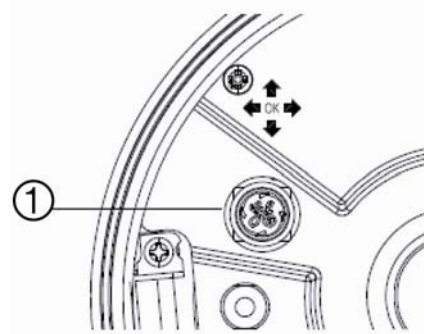
1



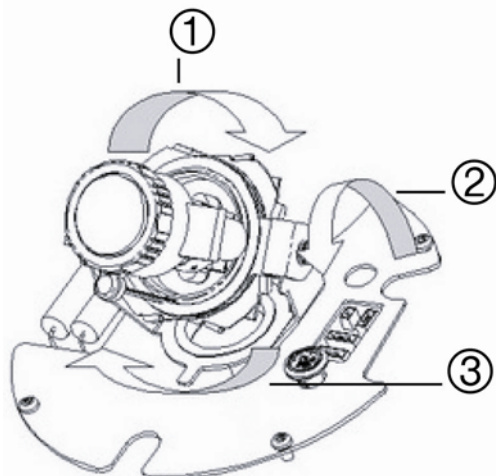
2



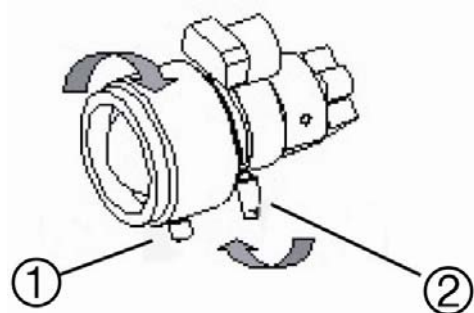
3

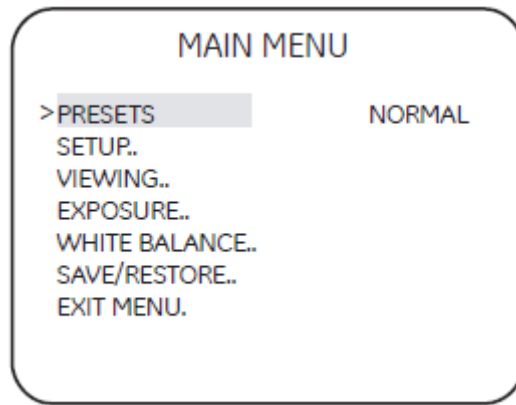


4



5





EN: Installation Sheet

Description

The UVD-XP3DNR(-P) camera consists of the following parts:

- The camera assembly (Figure 1)

Table 1: Description of camera parts

1.	Lens body
2.	Bubble
3.	Video monitor output
4.	OSD control pad
5.	Camera body

- Monitor output cable (Figure 2)
 - Monitor output BNC; 2. Monitor output RCA
- Mounting screws, wall anchors, and hex key

Use the video output BNC and power jack for normal system operation. Use the monitor output cable for installation and maintenance.

OSD control pad

The onscreen display (OSD) control pad (Figure 3: 1. OSD control pad) is a five-direction joystick that provides the ability to manually control the camera functions. Table 1 lists the OSD control pad functions and describes their use.

Table 2: OSD control pad functions

Pad directions	Description
Up	Moves the cursor upward to select an item.
Left	Moves the cursor left to select or adjust the parameters of the selected item.
Right	Moves the cursor to the right to select or adjust the parameters of the selected item.
Down	Moves the cursor downward to select an item.

Pad directions	Description
Enter	Press the center of the control pad to display the Setup menu. If the selected item has its own menu, press the control pad to enter a submenu. Press the control pad for 2 seconds to save all settings and exit the Setup menu.

Installation

Complete all the necessary programming before you install the camera. This section provides information on how to install the camera and adjust camera angle and focus.

WARNING: To reduce the risk of fire or electronic shock, do not expose the camera to rain or moisture and do not remove the cover or back.

Cable connection

To make cable connections, do the following:

- Connect a coaxial cable from the camera's BNC connector to a CCTV monitor or video recording device.
- Connect a 12 VDC or 24 VAC power supply to the power input. The label on the camera gives the following information:

Red cable. Power in.

Black cable. Power in.

White cable. Video out.

Black cable. Video ground.

Note: For AC24V or DC12V, Black or Red may be used for ground.

Camera installation

To mount the camera, attach the camera to the mounting surface using the appropriate fasteners

Angle adjustment

To adjust the horizontal angle of the platform up to 180 degrees, turn the platform (Figure 4, number 1).

To adjust the horizontal angle of the rotor up to 350 degrees, turn the rotor on the platform (Figure 4, number 3).

To adjust the vertical angle of the platform up to 90 degrees, turn the platform (Figure 4, number 3).

Focus adjustment

To adjust the camera zoom and focus, see Figure 5 and do the following:

Table 3: Description of zoom and focus adjustment in Figure 5

1.	Zoom ring thumbscrew for VA2 and focus ring for VA9 lens.
2.	Focus ring thumbscrew for VA2 and zooming ring for VA9 lens.

1. Loosen the zoom ring thumbscrew.
2. Turn the zoom ring to set the desired zoom.
3. Tighten the zoom ring thumbscrew.
4. Loosen the focus ring thumbscrew.
5. Turn the focus ring to set the desired focus.
6. Tighten the focus ring thumbscrew.

Connect the monitor

Program the cameras by attaching a standard video monitor to the system.

To connect the monitor, do the following:

1. Plug the monitor output cable (Figure 2) to the video monitor output connector (Figure 1).
2. Connect the BNC cable to the video monitor.
3. Press Enter (Figure 3) to display the Setup menu.

Programming

The camera is configured through the setup menus which appear on-screen. See Figure 6.

To access and navigate the menus, press and hold the center of the OSD control pad (Figure 3). Press Up or Down on the control pad to move between items, and press Enter (center of the control pad) to select the item. Press Right or Left on the control pad to select the different options available for the item.

You can return to the previous menu from any of the menus (except the Main menu) by selecting the *Previous page* option.

The menu map is shown on the back page.

Refer to the User Manual for detailed programming instructions.



Table 4: Main menu options

Menu option	Description
Preset	Preset settings.
Setup	Camera ID, Line Lock, motion detection, and WDR settings.
Viewing	Flip and resolution settings
Exposure	AGC, AE preferences, range control, shutter limit, frame RPT, and B/W control settings.
White balance	White balance settings.
Save/Restore	Save and restore user and factory settings.

Specifications

Electrical	
Power Input	12 VDC or 24 VAC
Power consumption	3W (DC); 2.4 W (AC)
Environmental and physical	
Weight	33.8 oz. (958 g)
Dimensions	5.22 x 4.11 in. (133 x 105 mm)
Operating Temperature	-58 to +122°F (+ -50 to +50°C)
Weather resistant	IP66

Regulatory information

Certification	  N0000
FCC compliance	This equipment has been tested and found to comply with the limits for a Class A digital device, pursuant to part 15 of the FCC Rules. These limits are designed to provide reasonable protection against harmful interference when the equipment is operated in a commercial environment. This equipment generates, uses, and can radiate radio frequency energy and, if not installed and used in accordance with the instruction manual, may cause harmful interference to radio communications. You are cautioned that any changes or modifications not expressly approved by the party responsible for compliance could void the user's authority to operate the equipment.
European Union directives	1999/5/EC (R&TTE directive): Hereby, GE Security declares that this device is in compliance with the essential requirements and other relevant provisions of Directive 1999/5/EC.
	2002/96/EC (WEEE directive): Products marked with this symbol cannot be disposed of as unsorted municipal waste in the European Union. For proper recycling, return this product to your local supplier upon the purchase of equivalent new equipment, or dispose of it at designated collection points. For more information see: www.recyclethis.info .
	2004/108/EC (EMC directive): Non-European manufacturers must designate an authorized representative in the Community. Our authorized manufacturing representative is: GE Security B.V., Kelvinstraat 7, 6003 DH Weert, The Netherlands.

Contact information

For contact information, see our Web site:

www.gesecurity.com

EMEA: For contact information, see our Web site:

www.gesecurity.eu

Menu Map

