

360° Indoor/ Outdoor Dome Cameras

3MPx and 6MPx Open Standards



OVERVIEW

Ideally suited for a variety of applications including retail, commercial, law enforcement and education environments, the TruVision 360° network dome camera provides high-quality image capture that delivers a complete view of indoor or outdoor areas for exceptional security coverage.

Supporting 3MPx and 6MPx sensors, these cameras are PoE 802.3af powered making installation as easy as running a Category 5e cable to the camera location. Particularly effective in areas where overhead shots are necessary such as intersecting corridors, POS registers, counters and warehouses, the 360° camera can also be used in a wall-mount configuration to capture panoramic scenes. With an IR range of up to 10m (33 ft.), they can also be used in low-light environments and for 24/7 exterior surveillance.

The cameras feature multiple viewing modes and ePTZ streams with preset and patrol functions, and are easily integrated into Prism and TruVision Navigator VMS or into embedded TruVision NVRs.*

STANDARD FEATURES

- 3MPx and 6MPx image sensor available
- H.264/MJPEG video compression
- 360° view angle
- Multiple viewing modes
- Multiple ePTZ streams with preset and patrol functions*
- Up to 10m (33 ft.) IR range
- 2-way audio, built-in mic and speaker
- Built-in SD/SDHC card slot (card not included)
- Ceiling and wall mount options
- Indoor and outdoor versions
- Operating temperature range -22°F~140°F (-30°C~60°C)

3MPx

- 1/3" progressive scan CMOS
- Streaming up to 2048 x 1536
- 120dB WDR

6MPx

- 1/1.8" progressive scan CMOS
- Streaming up to 3072 x 2048

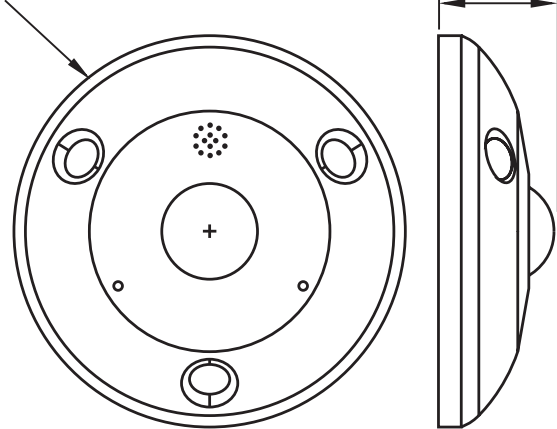
**With multiple streams, each individual stream consumes a separate channel on TruVision NVRs*

Dimensional Diagrams

Outdoor Camera

Ø6.57 in.
Ø167 mm

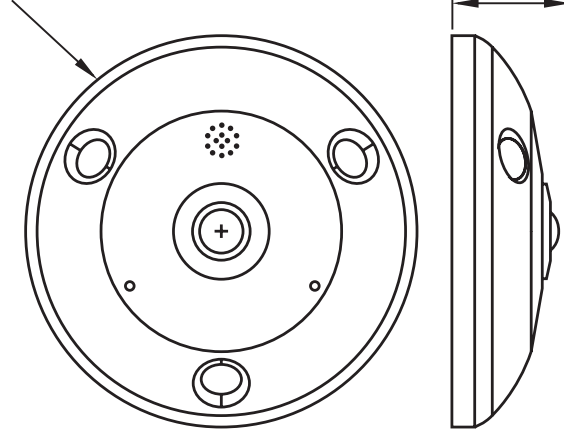
1.77 in.
(45 mm)



Indoor Camera

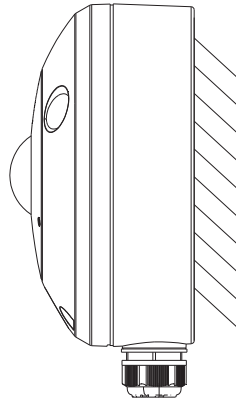
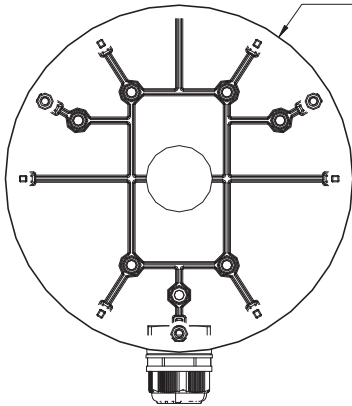
Ø6.57 in.
Ø167 mm

1.77 in.
(45 mm)



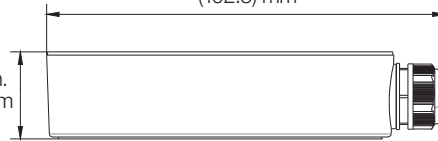
TVF-BBM

Ø6.59 in.
Ø167.5 mm



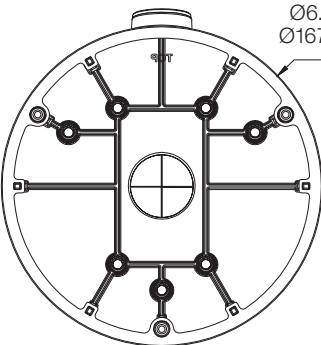
7.57 in.
(192.3 mm)

1.65 in.
(42 mm)

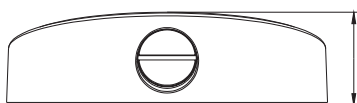


TVF-WBM

Ø6.59 in.
Ø167.5 mm

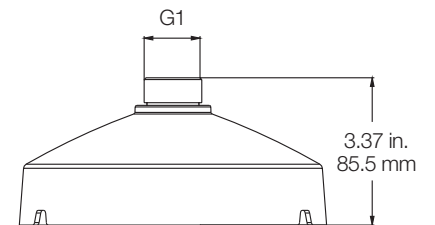
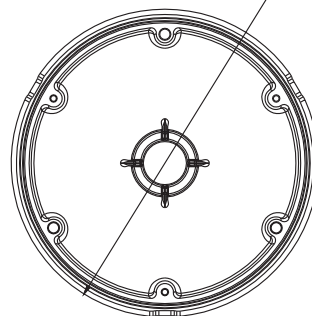


1.92 in.
(48.7 mm)



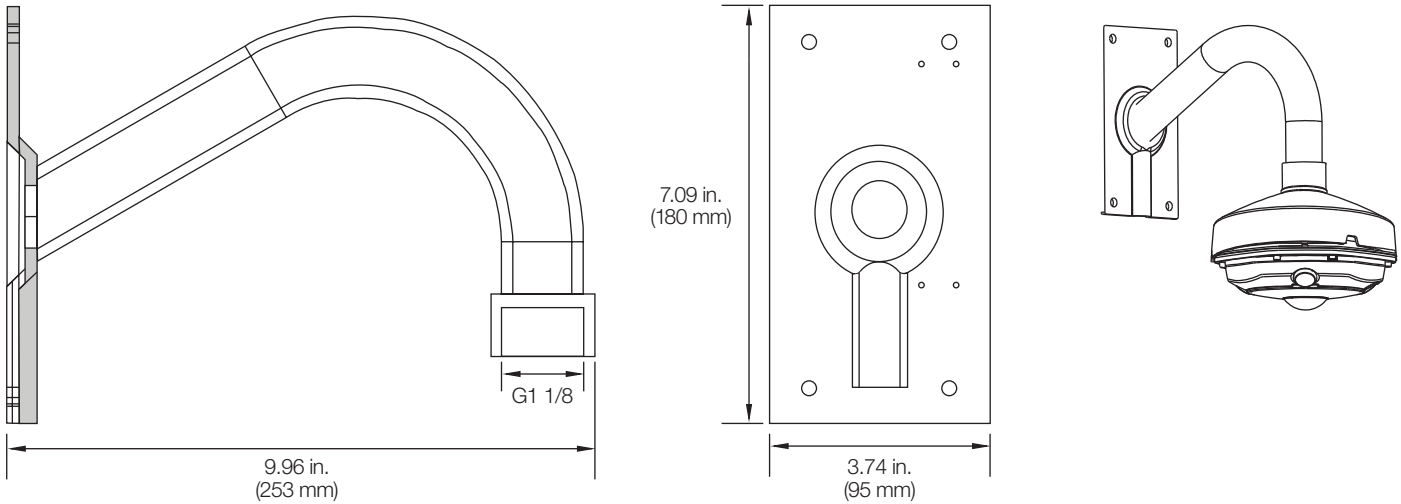
TVF-CBM

Ø7.04 in.
Ø178.7 mm

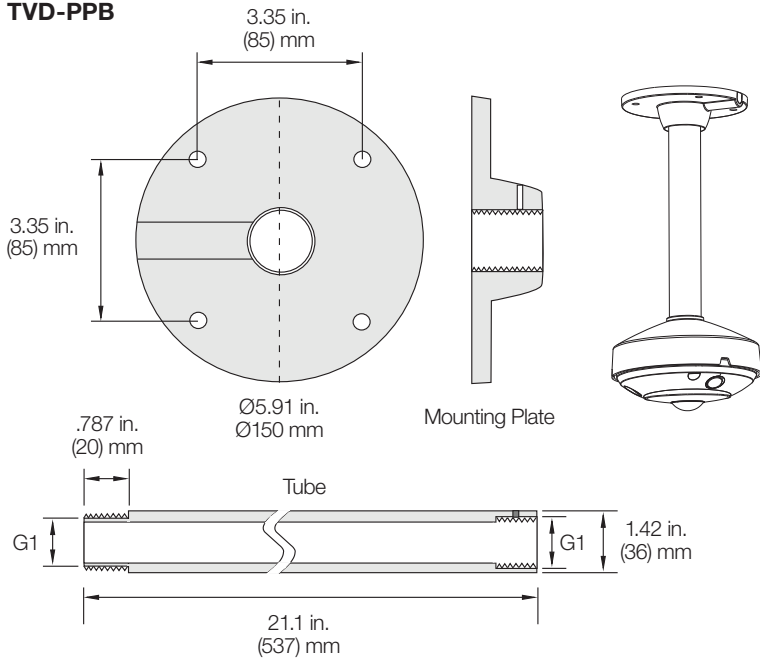


3.37 in.
85.5 mm

TVD-SNB



TVD-PPB



Bracket Specifications

SKU	Dimensions	Weight
TVD-SNB	9.96 x 3.74 x 7.09 in. (253 x 95 x 180 mm)	1.1 lbs. (490g)
TVD-PPB	Ø 5.91 x 21.14 in. (Ø 150 x 537 mm)	2.58 lbs. (1169g)
TVF-BBM	Ø 6.59 x 1.65 in. (Ø 167.5 x 42 mm)	.75 lbs. (337.5g)
TVF-WBM	Ø 6.59 x 1.92 in. (Ø 167.5 x 48.7 mm)	.67 lbs. (304.5g)
TVF-CBM	Ø 7.04 x 3.37 in. (Ø 178.7 x 85.5 mm)	1.2 lbs. (542g)

Pipe Threading Information

Pipe thread size	Threads (in.)	Pitch (mm)	Thread major diameter		Corresponding pipe				Tapping drill size (mm) BSPF (g)
			(mm)	(in.)	DN	OD (mm)	OD (in.)	Thickness (mm)	
G1	11	2.309	33.249	1.309	25	33.7	1.33	3.2	30.75

The hole of back box and wedge box is G 3/4

360° Indoor/Outdoor Dome Cameras

3MPx and 6MPx Open Standards

Specifications

SKU	TVF-3101 (NTSC) TVF-1101 (PAL)	TVF-3102 (NTSC) TVF-1102 (PAL)	TVF-3103 (NTSC) TVF-1103 (PAL)	TVF-3104 (NTSC) TVF-1104 (PAL)
Description	3MPx, Indoor	3MPx, Outdoor	6MPx, Indoor	6MPx, Outdoor
Sensor	1/3" Progressive Scan CMOS		1/1.8" Progressive Scan CMOS	
Lens	1.19mm @ f2.0		1.27mm @ f2.8	
Minimum Illumination	0.1 lux @ f1.2, AGC ON 0.28 @ f2.0 AGC ON, 0 lux with IR		0.05 lux @ f1.2, AGC ON 0.3 lux @ f2.8 AGC ON, 0 lux with IR	
Day/Night	ICR, True D/N			
Shutter Speed	50 Hz: 1/25s ~ 1/100,000s 60 Hz: 1/30s ~ 1/100,000s			
Max. Image Resolution	2048 x 1536		3072 x 2048	
Image	High-frame mode supports: 50Hz: 1 x fisheye (2048 x 1536, 25fps) or (1536 x 1536, 25fps) or 4 x PTZ (800 x 600, 25fps) 60Hz: 1 x fisheye (2048 x 1536, 25fps) or (1536 x 1536, 30fps) or 4 x PTZ (800 x 600, 30fps) Multi-channel mode supports: 50Hz: 1 x fisheye (1536 x 1536, 20fps) and 1 x panoramic (1600 x 1200, 20fps) and 3 x PTZ (800 x 600, 20fps) 60Hz: 1 x fisheye (1536 x 1536, 20fps) and 1 x panoramic (1600 x 1200, 20fps) and 3 x PTZ (800 x 600, 20fps)		High-frame mode supports: 50Hz: 1 x fisheye (3072 x 2048, 25fps) or (2048 x 2048, 25fps) or 4 x PTZ (1024 x 768, 25fps) 60Hz: 1 x fisheye (3072 x 2048, 25fps) or (2048 x 2048, 30fps) or 4 x PTZ (1024 x 768, 30fps) Multi-channel mode supports: 50Hz: 1 x fisheye (1280 x 1280, 12.5fps) and 1 x panoramic (2048 x 1536, 12.5fps) and 3 x PTZ (1024 x 768, 12.5fps) 60Hz: 1 x fisheye (1280 x 1280, 15fps) and 1 x panoramic (2048 x 1536, 15fps) and 3 x PTZ (1024 x 768, 15fps)	
IR Range	10m (33 ft.) Configurable IR on/off			
Video Compression	Video compression H.264 / MJPEG Multiple streams: surrounding, Panoramic, 4 x PTZ*			
Bit Rate	128Kbps~16Mbps			
Wide Dynamic Range	120dB WDR		DWDR	
Digital Noise Reduction	3D-NR			
Image Settings	Saturation, brightness, contrast, sharpness adjustable through client software or Web browser			
Features	Network storage NAS, Alarm trigger motion detection, tampering alarm, storage exception Protocols: TCP/IP, HTTP, DHCP, DNS, DDNS, ezDDNS, RTP, RTSP, PPPoE, SMTP, NTP, SNMP, HTTPS, FTP, 802.1x, Qos, IPv6 Interoperability Onvif, PSIA, CGI Security User Authentication, reset button, watermark, Multicast			
Interface	Communication interface 1 RJ45 10 M / 100 M Ethernet interface, DC Power interface, RS485 interface			
Power Source	PoE (802.3 af) /12VDC ± 10%			
Operating Temperature	-22°F~-140°F (-30°C~60°C)			
Environmental Rating	NA	IP66	NA	IP66
Audio	Bi-directional , built-in speaker and mic			
Impact Rating	NA	IK10	NA	IK10
Storage	Built-in SD/SDHC card slot (card not included)			
Regulatory Compliance	FCC, CE, UL, WEEE, RoHS, REACH			

*With multiple streams, each individual stream consumes a separate channel on TruVision NVRs.

Ordering Information

NTSC	
TVF-3101	TruVision® 360° Dome, 3MPx, WDR, 1.19mm Fisheye Lens, True D/N, 10m IR, 2-Way Audio (built-in mic & speaker), SD/SHDC Slot, PoE (802.3af) /12VDC
TVF-3102	TruVision 360° Dome, 3MPx, WDR, 1.19mm Fisheye Lens, True D/N, 10m IR, 2-Way Audio (built-in mic & speaker), SD/SHDC Slot, POE (802.3af) /12VDC, IP66, IK10
TVF-3103	TruVision 360° Dome, 6MPx, DWDR, 1.27mm Fisheye Lens, True D/N, 10m IR, 2-Way Audio (built-in mic & speaker), SD/SHDC Slot, POE (802.3af) /12VDC
TVF-3104	TruVision 360° Dome, 6MPx, DWDR, 1.27mm Fisheye Lens, True D/N, 10m IR, 2-Way Audio (built-in mic & speaker), SD/SHDC Slot, POE (802.3af) /12VDC, IP66, IK10
PAL	
TVF-1101	TruVision 360° Dome, 3MPx, WDR, 1.19mm Fisheye Lens, True D/N, 10m IR, 2-Way Audio (built-in mic & speaker), SD/SHDC Slot, POE (802.3af) /12VDC
TVF-1102	TruVision 360° Dome, 3MPx, WDR, 1.19mm Fisheye Lens, True D/N, 10m IR, 2-Way Audio (built-in mic & speaker), SD/SHDC Slot, POE (802.3af) /12VDC, IP66, IK10
TVF-1103	TruVision 360° Dome, 6MPx, DWDR, 1.27mm Fisheye Lens, True D/N, 10m IR, 2-Way Audio (built-in mic & speaker), SD/SHDC Slot, POE (802.3af) /12VDC
TVF-1104	TruVision 360° Dome, 6MPx, DWDR, 1.27mm Fisheye Lens, True D/N, 10m IR, 2-Way Audio (built-in mic & speaker), SD/SHDC Slot, POE (802.3af) /12VDC, IP66, IK10
Accessories	
TVF-BBM	TruVision 360° Dome Round Back Box, Conduit Ports, Gang Box Compatible, Metal, Indoor/Outdoor
TVF-WBM	TruVision 360° Dome Round Angled Back Box, Conduit Ports, Gang Box Compatible, Metal, Indoor/Outdoor
TVF-CBM	TruVision 360° Dome Cup Base (Use w/TVD-PPB for Pendant Mount or TVD-SNB for Wall Mount)



interlogix.com

Specifications subject to change without notice.

© 2015 United Technologies Corporation.
All rights reserved.

All trademarks are the property of their respective owners.
Interlogix is part of UTC Building & Industrial Systems,
a unit of United Technologies Corporation.

409-3864 2015/05 (81998)