

Analog Cameras

Value Line 700TVL and 720TVL
Resolution Cameras



OVERVIEW

The TruVision value line of cameras includes a comprehensive family of analog infrared (IR) cameras designed for excellent image quality at a cost-effective price.

These cameras are available in bullet, turret and dome form-factors and are ideal to help you stay within budget constraints without compromising security needs.

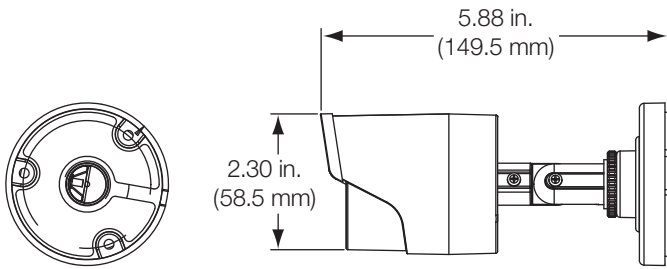
All TruVision IR cameras are designed to install quickly and easily, right out of the box, so you can be up and running in no time. For superior quality and performance, Interlogix delivers the level of products you'd expect from a leader in the video surveillance market.

STANDARD FEATURES

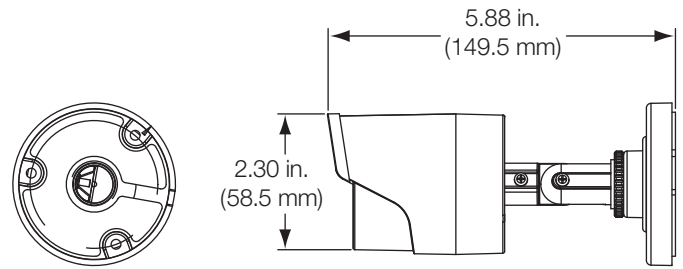
- 700TVL or 720TVL resolution
- 20m (66 ft.) or 40m (132 ft.) IR illumination for optimal viewing
- IP66 rated enclosure
- IR cut filter with auto switch
- Cost-effective and easy to install
- 3-year warranty

Dimensional Diagrams

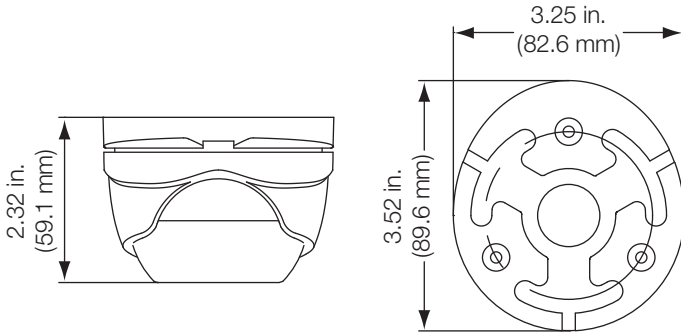
TVB-4201, TVB-2201



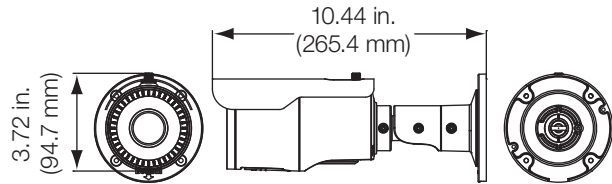
TVB-4202, TVB-2202



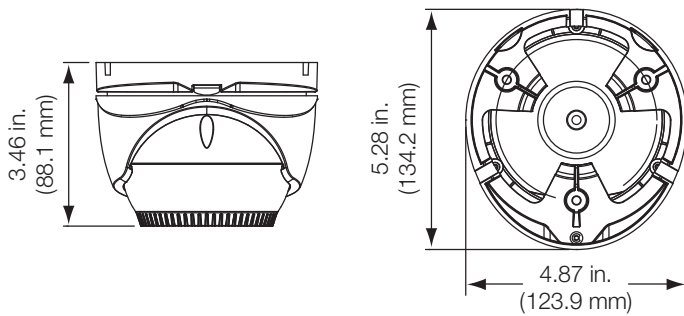
TVT-4201, TVT-2201



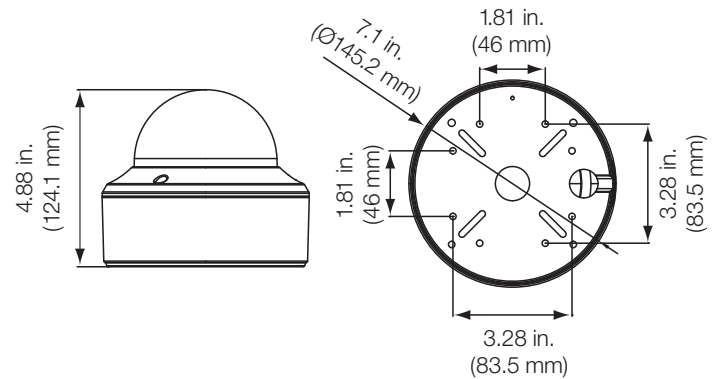
TVB-4203, TVB-2203



TVT-4202, TVT-2202



TVD-4202, TVD-2202



Specifications

	TVB-4201 TVB-2201	TVB-4202 TVB-2202	TVT-4201 TVT-2201	TVB-4203 TVB-2203	TVT-4202 TVT-2202	TVD-4202 TVD-2202	
							
Camera	Sensor	1/3" CMOS			1/3" 1.3 Megapixel 1280H CMOS		
	Signal System	NTSC/PAL					
	Effective Pixels	976 (H) × 496 (V)			1305 (H) × 1049 (V)		1280 (H) × 960 (V)
	Horizontal Resolution	700TVL			720TVL		
	Synchronization	Internal					
	Day/Night	IR cut filter with auto switch					
	S/N Ratio	62 dB					
	Electronic Shutter	PAL: 1/50s to 1/100,000s NTSC: 1/60s to 1/100,000s			PAL: 1/25s to 1/25,000s NTSC: 1/30s to 1/30,000s		
	Min. Illumination	0.1 Lux @ (F1.2, AGC ON) 0 Lux with IR					
	Lens	3.6 mm @ F2.5	6 mm @ F2.5	3.6 mm @ F2.5	2.8~12 mm @ F1.4		
IR Distance	20m (66 ft.)			40m (132 ft.)			
Video Output	1Vp-p composite output (75 Ω/BNC)						
Display	OSD	N/A			OSD button & TruVision Coax Control	TruVision Coax Control	OSD button & TruVision Coax Control
	Additional Features	N/A			Smart IR, Digital Wide Dynamic Range, 3D Digital Noise Reduction, Motion Detection, Privacy Mask		
Electrical	Voltage Input	12VDC				24VAC/12VDC	
	Max. Current	340mA			420mA		290mA/580mA
	Power Consumption (with IRs on)	Max. 4W			Max. 5W		Max. 7W
Mechanical/Environmental	Operating Temperature (cold start)	-40°F~-140°F (-40°C~60°C) Humidity 90% or less (non-condensing)					
	Environmental Rating	IP66					
Mechanical/Environmental	Vandal Rating	N/A				IK10	
	Dimensions	2.76 × 5.8 in. (70 × 149.5 mm)		3.53 × 2.33 in. (89.6 × 59.1 mm)	4.13 × 3.72 × 10.45 in. (105 × 94.7 × 265.4 mm)	5.28 × 4.88 × 3.47 in. (134.2 × 123.9 × 88.1 mm)	5.72 × 4.89 in. (145.3 × 124.2 mm)
	Weight	0.79 lbs. (360g)		0.88 lbs. (400g)	2.97 lbs. (1350g)	1.76 lbs. (800g)	1.95 lbs. (880g)
Regulation	Compliance	FCC, CE, UL, C-Tick, REACH, RoHS, WEEE					

Analog Cameras

Value Line 700TVL and 720TVL Resolution Cameras

Ordering Information

NTSC

TVB-4201	TruVision® Bullet Camera, 700TVL, 3.6mm Lens, True D/N, 20m IR, 12VDC, IP66, NTSC
TVB-4202	TruVision Bullet Camera, 700TVL, 6mm Lens, True D/N, 20m IR, 12VDC, IP66, NTSC
TVB-4203	TruVision Bullet Camera, 1280H Sensor, 720TVL, 2.8~12mm Varifocal Lens, True D/N, 40m IR, OSD, 12VDC, IP66, NTSC
TVD-4202	TruVision Dome Camera, 1280H Sensor, 720TVL, 2.8~12mm Varifocal Lens, True D/N, 3-Axis, 40m IR, OSD, 12VDC /24VAC, IP66, IK10, NTSC
TVT-4201	TruVision Turret Camera, 700TVL, 3.6mm Lens, True D/N, 20m IR, 12VDC, IP66, NTSC
TVT-4202	TruVision Turret Camera, 1280H Sensor, 720TVL, 2.8~12mm Varifocal Lens, True D/N, 40m IR, 12VDC, IP66, NTSC

PAL

TVB-2201	TruVision Bullet Camera, 700TVL, 3.6mm Lens, True D/N, 20m IR, 12VDC, IP66, PAL
TVB-2202	TruVision Bullet Camera, 700TVL, 6mm Lens, True D/N, 20m IR, 12VDC, IP66, PAL
TVB-2203	TruVision Bullet Camera, 1280H Sensor, 720TVL, 2.8~12mm Varifocal Lens, True D/N, 40m IR, OSD, 12VDC, IP66, PAL
TVD-2202	TruVision Dome Camera, 1280H Sensor, 720TVL, 2.8~12mm Varifocal Lens, True D/N, 3-Axis, 40m IR, OSD, 12VDC /24VAC, IP66, IK10, PAL
TVT-2201	TruVision Turret Camera, 700TVL, 3.6mm Lens, True D/N, 20m IR, 12VDC, IP66, PAL
TVT-2202	TruVision Turret Camera, 1280H Sensor, 720TVL, 2.8~12mm Varifocal Lens, True D/N, 40m IR, 12VDC, IP66, PAL

Accessory

TVS-C200	TruVision Coax OSD Controller for TruVision Series 2 and HD-TVI Cameras
-----------------	-------------------------------------------------------------------------



interlogix.com

Specifications subject to change without notice.

© 2015 United Technologies Corporation.

All rights reserved.

All trademarks are the property of their respective owners.

Interlogix is part of UTC Building & Industrial Systems,
a unit of United Technologies Corporation.

503-3909 2015/05 (81088)