

DesignLine Slim Door/Window Sensors

Small, wireless design for the highest level of intrusion protection

OVERVIEW

Using the DesignLine Door/Window Sensor, alarm systems can be easily installed and provide the highest level of intrusion protection available for a home or business. These sensors monitor doors, windows, cabinets or anything that opens and closes.

Almost any building can be set up with an Interlogix system because of the DesignLine Door/Window Sensor's small size and flexible mounting configurations.

The DesignLine Door/Window Sensor provides years of trouble-free operation because advanced circuit technology makes this sensor extremely efficient and reliable. The low current draw, coupled with a high-capacity lithium battery, means five to eight years between battery changes when sensors are used on low-traffic openings.

The wire-free nature of DesignLine Door/Window Sensors means: less installation cost; less installation damage from drilling holes and pulling wires; less time spent on premises for the installer; and less compromise to security due to the inflexibility of sensor location when using hardwire sensors.



STANDARD FEATURES

- Low-profile design gives sleek modern look; fits in any home or business
- Wireless technology is easier and less costly to install; safer because of flexible placement
- Advanced circuit technology supplies robust function with low current draw
- Compatible with all Interlogix 319.5 MHz control panels and receivers
- Functions at open-air distances of up to 500 ft.
- Runs on lithium coin cell battery with typical life of 5 years
- Tamper-resistant case inhibits tampering and improves security and durability
- External contact header allows connection of an external hardwire contact

DesignLine Slim Door/Window Sensors

North America
T 855-286-8889

Latin America
T 561-998-6114

Small, wireless design for the
highest level of intrusion protection

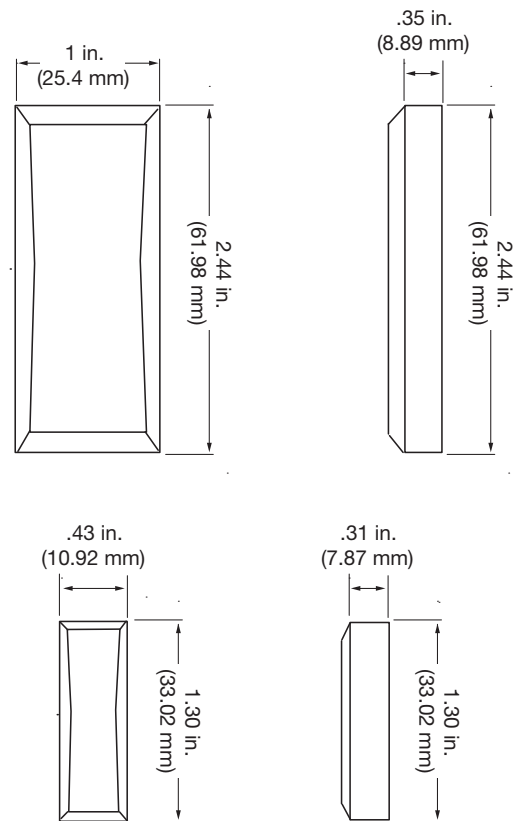
Specifications

Battery	Panasonic CR2032, 3VDC, 225mAh, Lithium Coin Cell
Battery life	5 years (typical)
Transmitter frequency	319.508MHz (crystal-controlled)
Transmitter frequency tolerance	+/- 8 kHz
Bandwidth	24 kHz
Modulation type	Amplitude Shift Key (ASK)
Unique ID codes	16 million
Peak field strength	Typical 30,000 uV/m @ 3m
External input sampling current	20 uA
Magnetic sensitivity of reed switch	10 to 20 amp turns
Reed sensitivity	.38-in. (.97-cm) gap
Magnet type	Nd-Fe-B, N45
Sensor dimensions (WxHxD)	1 x 2.44 x 0.35 in. (25.4 x 61.98 x 8.89mm)
Supervisory interval	64 minutes
Operating temperature	10°F~120°F (-12°C~49°C)
Enclosure	PC-540
Weight	0.55 oz (15g)
Magnet dimensions (WxHxD)	0.43 x 1.3 x 0.31 in. (10.92 x 33.02 x 7.87mm)

Ordering Information

TX-1010-01-1	DesignLine Slim Door/Window Sensor, White
TX-1010-01-3	DesignLine Slim Door/Window Sensor, Brown

Dimensional Diagram



interlogix.com

Specifications subject to change without notice.

© 2014 United Technologies Corporation.

All rights reserved.

Interlogix is part of UTC Building & Industrial Systems,
a unit of United Technologies Corporation.

305-3672 2014/03 (75579)