

Bill Trap

Magnetic Contact
w/Vinyl Jacketed Leads

OVERVIEW

The Bill Trap has been specifically designed for use inside cash drawers. Bills are inserted between the lever and the base plate. Once the bills are removed, contact is made creating an alarm condition. The unit is constructed of Delrin plastic for long life and features a SPDT reed switch for activation. The reed is secured using exclusive polyurethane potting material. Since the unit has no mechanical switch, it is not susceptible to dust or humidity, and is not subject to wear. The device mounts easily using double-sided tape.

The Bill Trap consists of a face plate and a back plate. The face is made of a Delrin plastic, magnetized clip with a border. The border adheres to the steel-plate backing, leaving the clip free to lift up and grasp a bill. The backing has an SPDT reed switch potted at its base, with the leads extending from its top. Bill Trap has dimensions of 3.375" (8.65cm) L x 2.563" (6.57cm) W x 0.375" (.96cm) D. Connection to the switch is made through three #22 gauge, 6" wire leads. Removing a bill from between the magnetized clip and the back plate trips the switch.

STANDARD FEATURES

- Compact housing for easy installation in cash drawers
- Delrin plastic housing for long life
- Reed based switch design, no mechanical switch to wear out
- Not susceptible to dust, humidity or wear
- Double-sided tape for easy mounting



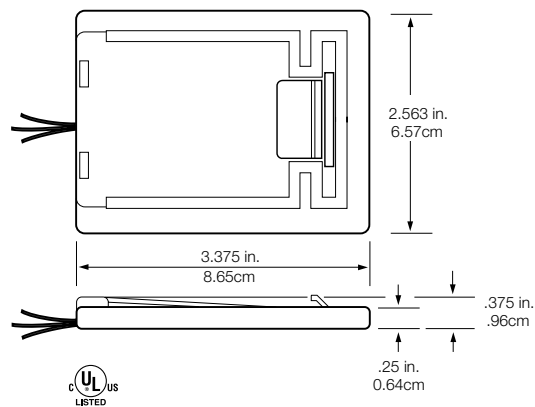
Specifications

Voltage	30V AC/DC maximum
Current	0.25A maximum
Power	3.0W maximum
Dimensions (LxWxD)	3.375 x 2.563 x 0.375 in. (8.65 x 6.57 x 0.96cm)
Form	C

Ordering Information

3555-B	Bill Trap, SPDT, Black
---------------	------------------------

Dimensional Diagram



North America
T 855-286-8889

Latin America
T 561-998-6114



interlogix.com

Specifications subject to change without notice.

© 2013 United Technologies Corporation.

All rights reserved.

Interlogix is part of UTC Climate, Controls & Security,
a unit of United Technologies Corporation.

306-3684 2013/11 (75102)