



## Overview

GE's Multi-Channel VDP Mid-span Combiners are now IFS. These Multi-Channel Video-Data-Power (VDP) Mid-span Combiners insert PTZ data and power at a mid-span point along with the camera signal over a single four-pair UTP cable. At the camera end, an IFS VDP-B Series Balun Combiner provides video, data and power on separate outputs. This allows simplification of a CCTV installation within a structured wiring environment. These units are designed to be installed at a mid-span point for overcoming power distance restrictions. This allows for video with PTZ control transmission of up to 3,500 feet (915m) when used with the VTP-AR6 Series UTP Multi-channel Receiver Combiners.

### VDP-MS Series

The VDP-MS Series are available in either 4- or 16-channel configurations. These devices provide video pass-thru and combines data and power onto the UTP cable at a mid-span point. These are passive devices; however, external power is required to inject camera power through these devices onto the UTP cable.

### VDP-MSP Series

The VDP-MSP Series are available in either 8- or 16-channel configurations and also has a built-in fully-isolated class II 24/28 VAC power supply. Each camera power output, in addition to an auto-reset fuse, is equipped with a 2 amp glass fuse that is accessible from the front panel for extra protection.

RJ-45 connectors provide video pass-through to the VTP-AR4/AR6 series receivers. RJ-45 connectors also provide PTZ data input from the DVR or matrix switcher for each camera connection. All RJ-45 connectors follow industry-standard EIA/TIA-568B pin-outs.

## VDP-MS/MSP Series Multi-Channel UTP Video-Data-Power (VDP) Mid-span Combiners

## Standard Features

### Video

- Video pass-through
- NTSC, PAL and SECAM compatible
- 60dB crosstalk and noise immunity

### Mid-span Combiner

- Inserts PTZ control data at mid-span
- Inserts camera power at mid-span

### Design

- Combines video, data and power
- No power required for video
- 1U rack mount or wall-mount configurations
- RJ-45 plug-n-play installation
- Surge protection

### Distance


- Extends VDP Series transmission up to 3,500 feet

### Warranty

- Comprehensive Lifetime Warranty



## Multi-channel UTP Video-Data-Power (VDP) Mid-spanner Combiner Specifications

		VDP-MS Series (External Powered)		VDP-MSP Series (Internal Power)	
Part No.		GEC-4VDPC	GEC-16VDPC	GEC-8VPDCHUB	GEC-16VPDCHUB
<b>Description</b>		 4-channel UTP VDP Mid-span Combiner - External Powered	 16-channel UTP VDP Mid-span Combiner - External Powered	 8-channel UTP VDP Mid-span Combiner - Internal Powered	 16-channel UTP VDP Mid-span Combiner - Internal Powered
<b>Video</b>	<b>No. of Channels</b>	4	16	8	16
	<b>Video Format</b>	NTSC, PAL, SECAM	NTSC, PAL, SECAM	NTSC, PAL, SECAM	NTSC, PAL, SECAM
	<b>Frequency</b>	DC to 10 MHz	DC to 10 MHz	DC to 10 MHz	DC to 10 MHz
	<b>CMRR</b>	60 dB	60 dB	60 dB	60 dB
	<b>Insertion Loss</b>	0.3 dB	0.3 dB	0.3 dB	0.3 dB
<b>Camera Power Insertion</b>	<b>Input Voltage</b>	24/28VAC (requires external power source)	24/28VAC (requires external power source)	110/220VAC	110/220VAC
	<b>Output Voltage (to camera)</b>	24/28 VAC @ 1A per channel, 12A aggregated	24/28 VAC @ 1A per channel, 12A aggregated	24/28 VAC @ 1A per channel, 12A aggregated	24/28 VAC @ 1A per channel, 12A aggregated
<b>Connectors</b>	<b>UTP Video Connector</b>	RJ-45	RJ-45	RJ-45	RJ-45
	<b>UTP Data Connector</b>	Terminal blocks with RJ-45 adapter option	Terminal blocks with RJ-45 adapter option	Terminal blocks with RJ-45 adapter option	Terminal blocks with RJ-45 adapter option
	<b>UTP Cable</b>	100 Ohms (+/- 20%), Unshielded Twisted-Pair-Category 2-6 (24 AWG minimum)	100 Ohms (+/- 20%), Unshielded Twisted-Pair-Category 2-6 (24 AWG minimum)	100 Ohms (+/- 20%), Unshielded Twisted-Pair-Category 2-6 (24 AWG minimum)	100 Ohms (+/- 20%), Unshielded Twisted-Pair-Category 2-6 (24 AWG minimum)
<b>Total End-to-End UTP Distance***</b>	<b>Max. Video Distance w/Passive Hub/RX</b>	750 feet	750 feet	750 feet	750 feet
	<b>Max. Video Distance w/VTP-AR4 Series</b>	2,000 feet	2,000 feet	2,000 feet	2,000 feet
	<b>Max. Video Distance w/ VTP-AR6 Series</b>	3,500 feet	3,500 feet	3,500 feet	3,500 feet
<b>Electrical and Mechanical</b>	<b>Operating Power</b>	None-Passive operation	None-Passive operation	None-Passive operation	None-Passive operation
	<b>Enclosure</b>	Extruded Aluminum	Extruded Aluminum	Aluminum sheet metal	Aluminum sheet metal
	<b>Dimensions (W x H x D)</b>	4.97" x 1.74 x 1.77 in. (12.6" x 4.2 x 4.5 cm)	18** x 1.74 x 1.77 in. (45.7** x 4.2 x 4.5 cm)	17 x 1.74 x 12 in. (43 x 4.2 x 30.5 cm)	17 x 1.74 x 12 in. (43 x 4.2 x 30.5 cm)
	<b>Weight</b>	.44 lb (198 g)	1.37 lb (620 g)	14.7 lb (6.65 kg)	22 lb (9.98 kg)
<b>Environmental</b>	<b>Operating Temperature</b>	-10°C to +50°C	-10°C to +50°C	-10°C to +50°C	-10°C to +50°C
	<b>Storage Temperature</b>	-30°C to +70°C	-30°C to +70°C	-30°C to +70°C	-30°C to +70°C
	<b>Relative Humidity</b>	0 to 95%, non-condensing	0 to 95%, non-condensing	0 to 95%, non-condensing	0 to 95%, non-condensing

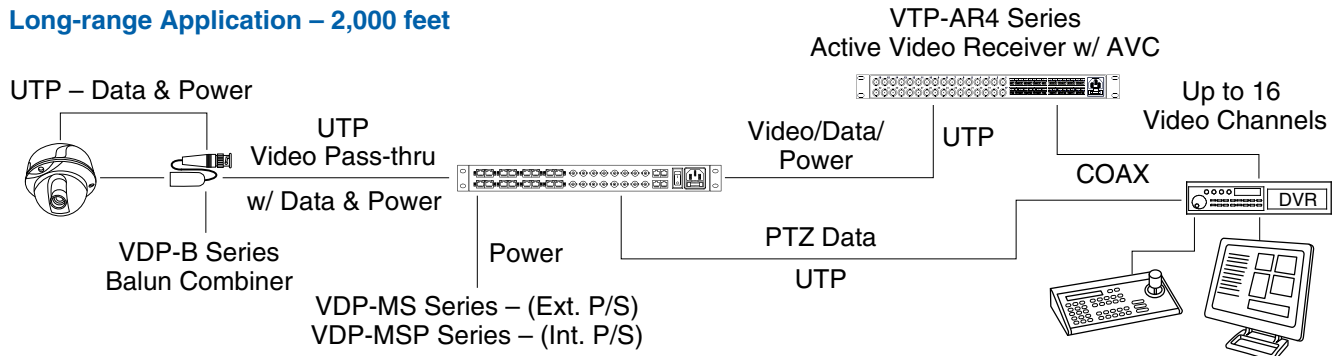
\*Width dimension including integrated mounting ears is 6.77 in. (17.2 cm)

\*\*Width dimension including integrated mounting ears is 19.8 in. (50.3 cm)

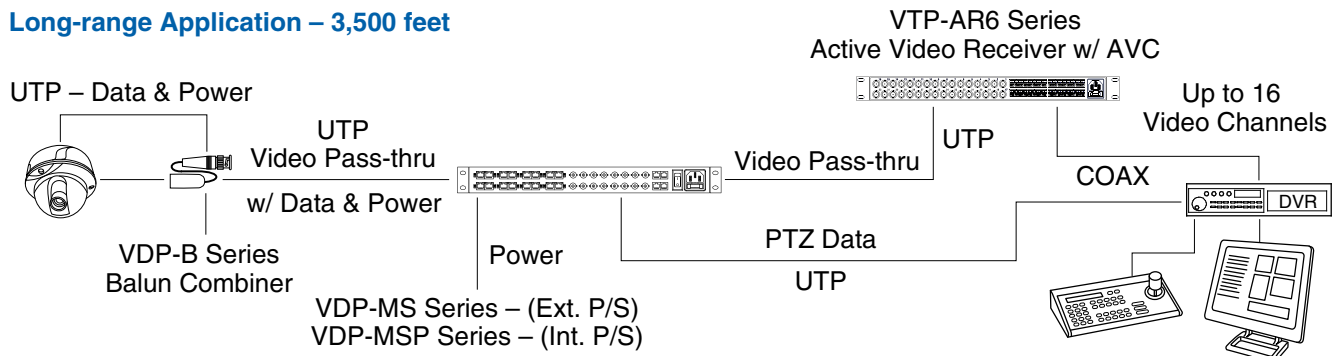
\*\*\*End-span VDP operation: Video transmission distance to receiving hub (end to end transmission distance) is limited to the wire gauge installed (AWG) and the operating voltage and current requirements of the remote camera. Voltage and Current loss calculations for the cable run are recommended to insure proper operation. Mid-span VDP operation: Video transmission distance can be extended by injecting camera power and PTZ data closer to the remote camera. The distance from remote camera and the mid-span injector is limited to the wire gauge installed (AWG) and the operating voltage and current requirements of the remote camera. Voltage and current loss calculations for the cable run are recommended to insure proper operation.

# Typical Applications

## Long-range Application – 2,000 feet



## Long-range Application – 3,500 feet



North America  
T 888-437-3287  
F 503-691-7566  
E sales@ifs.com

Asia  
T 852-2907-8108  
F 852-2142-5063

Australia and New Zealand  
T 613-9239-1200  
F 613-9239-1299

Europe  
T 32-2-725-11-20  
F 32-2-721-40-47

Latin America  
T 561-998-6100  
F 561-994-6572

interlogix.com  
utcfireandsecurity.com

Specifications subject to  
change without notice.

© 2011 Interlogix, A UTC Fire & Security Company.  
All rights reserved.

GE and the GE monogram are trademarks of the  
General Electric Company and are under license  
to UTC Fire & Security, 9 Farm Springs Road,  
Farmington, CT 06034-4065

## Ordering Information

<b>VDP-MS Series</b>	
GEC-4VDPC	4-CH Video, Data and Power Combiner
GEC-16VDPC	16-CH Video, Data and Power Combiner
<b>VDP-MSP Series</b>	
GEC-8VPDCHUB	8-Channel Powered VPD Combiner Hub
GEC-16VPDCHUB	16-Channel Powered VPD Combiner Hub
<b>Optional Accessory</b>	
GEC-RPK	Rack panel kit supports up to three 4-port Hubs

Note: External power supply must be purchased separately for VDP-MS Series.

## Included Accessories

GEC-4VDPC	Mounting screws
GEC-16VDPC	Built-in mounting brackets for front, rear or wall mount installation
GEC-8VPDCHUB	Mounting brackets for front, rear or wall mount installation; 8-coax jumper cables - 2-ft. (60 cm); Molded IEC power cord - 7-ft. (200 cm)
GEC-16VPDCHUB	Mounting brackets for front, rear or wall installation; 16-coax jumper cables - 2-ft. (60 cm); Molded IEC power cord - 7-ft. (200 cm)

Security Products by GE are now part of the UTC Fire & Security family



**UTC Fire & Security**

A United Technologies Company