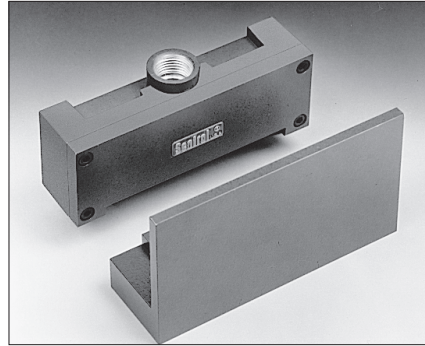
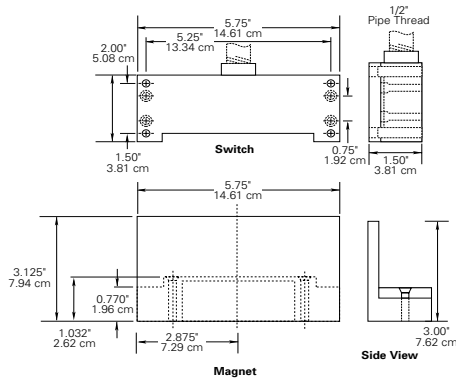


2810T Series

Maximum Security With Terminals



- Magnet tamper interlock shields intervening magnetic flux
- Ultimate high security contact design
- Undefeated by prominent testing laboratories
- Triple-biased reeds make defeat with external magnets virtually impossible
- Magnetic field tamper
- Options include remote test, resettable current limiting device, custom modifications available



Not to scale

ORDERING INFORMATION	Gap Size	S.P.D.T.	Lead Type
Maximum Security Switch with Guarded Housing	3/16" to 5/8" 	2814T	#6 Screw Terminal
Maximum Security Switch with Guarded Housing and Internal Shield	1/8" to 1/2" 	2817T	#6 Screw Terminal

NOTE: Heavy-duty die-cast aluminum housing with brown textured paint
For Accessories, see page 6.43

General Specifications

Operating Specifications

Gap Distances

Ratings nominal and may vary $\pm 20\%$.
Ratings are distance for switch to "make."
Break distance approximately 1.1 to 1.5 times "make."

Wire Colors

S.P.D.T. Common = Black
Open loop = Red
Closed loop = White

Switch Configurations

Closed Loop	Open Loop	S.P.D.T.	D.P.D.T.
Switch closed when magnet is in close proximity	Switch open when magnet is in close proximity	Switch has common, open and closed side	Two switches each having common, open and closed sides

Environmental Specifications*

Temperature Range .. -40°F to 150°F
on regular gap models
..... -20°F to 150°F
on biased contacts


Shock 50 G's @ 11 ms

Impact withstands drop of 2" dia.
steel ball from 30"

Vibration 35 G's @ 50-2000Hz

***See specific product bulletins for specific model specifications.**

Electrical Specifications

UL Rating	Closed Loop	Open Loop	S.P.D.T.	D.P.D.T.
Switching Voltage (Max.) Switching Current (Max.) Watts (Max.) (Volts x Amps)	100 Volts .5 Amp 7.5 Watts	30 Volts .25 Amp 3 Watts	30 Volts .25 Amp 3 Watts	30 Volts .25 Amp 3 Watts
 ULC Specifications	All contacts: 30 VDC, 50 mA max.			

European Union Specification 48V AC/DC 0.5 Amps

W A R N I N G !

Each electrical rating is an individual maximum and cannot be exceeded!

MAGNETIC CONTACTS